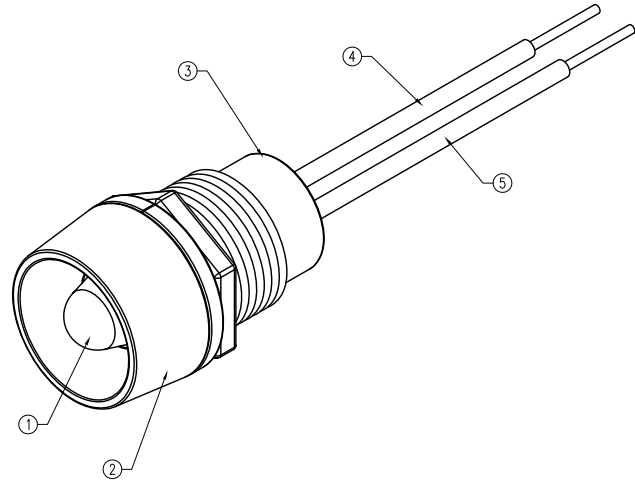
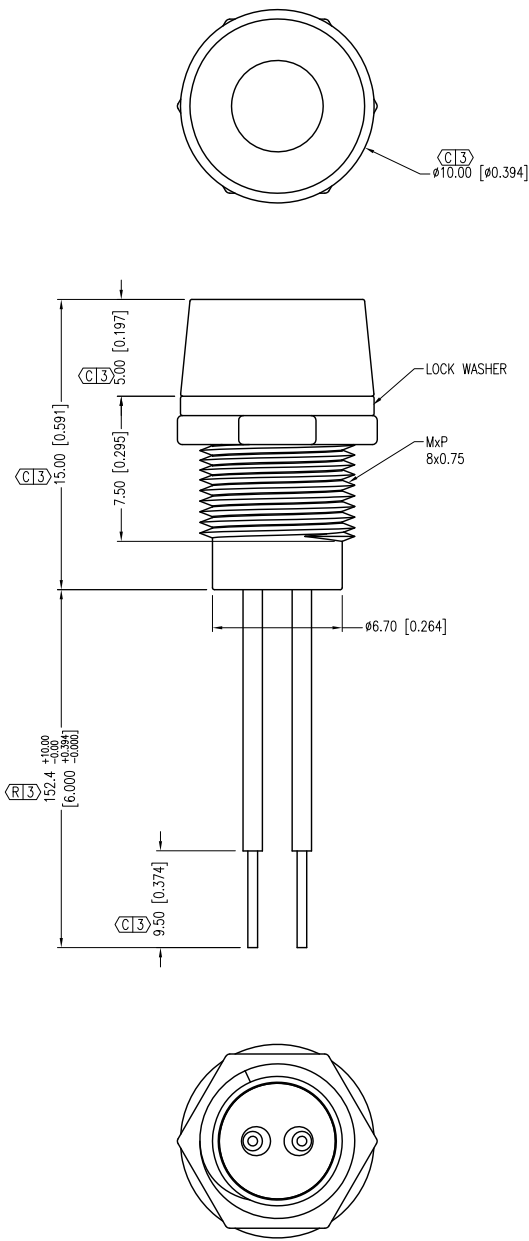


PART NUMBER	SSI-LXR4815GD-150	REV.	E
DATE	E.C.N. NUMBER AND REVISION COMMENTS		REV.
10.27.94	REDRAWN, UPDATED SAFE OPER. SPECS.		A
11.17.94	CORRECTED WIRE STRIP LENGTH.		B
10.30.00	E.C.N. #10674.		C
01.10.02	E.C.N. #10BRDR. & REDRAWN IN 3D.		D
05.15.12	E.C.N. #10BRDR. & REDRAWN.		E



ELECTRO-OPTICAL CHARACTERISTICS  $T_a=25^\circ\text{C}$   $V_f=20\text{mA}$

PARAMETER	MIN	TYP	MAX	UNITS	TEST COND
PEAK WAVELENGTH		565		nm	
[L]5 FORWARD VOLTAGE		2.2	2.6	Vf	
REVERSE VOLTAGE	5.0			Vr	$I_r=100\mu\text{A}$
AXIAL INTENSITY		30		mcd	$V_f=20\text{mA}$
VIEWING ANGLE		60		2x theta	
[L]5 EMITTED COLOR:	GREEN				
[V]5 LENS FINISH:	GREEN DIFFUSED				

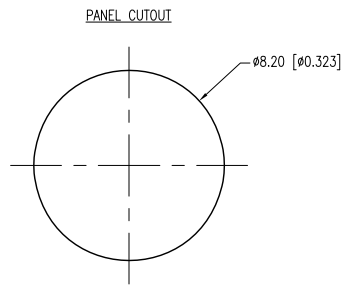
LIMITS OF SAFE OPERATION AT 25°C

PARAMETER	MAX	UNITS
PEAK FORWARD CURRENT*	150	mA
STEADY CURRENT	25	mA
POWER DISSIPATION	105	mW
DERATE FROM 25°C	-1.2	mW/°C
OPERATING TEMP.	-40 TO +85	°C
STORAGE TEMP.	-40 TO +85	°C

\* $t < 10\mu\text{s}$

- [C] [B] NOTES:
1. SSL-LX5063GD, GREEN LED. TRIM LEADS TO 5mm.
  2. SSI-LXR4815, CHROME HOUSING.
  3. SSH-LX4815B5G, BLACK NYLON BUSHING. (NOT SEEN)
  4. ANODE LEAD: LXP-WST24RDT0C, RED INSULATION, 160mm LONG, STRIP 2mm & 9.5mm.
  5. CATHODE LEAD: LXP-WST24BLT0C, BLACK INSULATION, 160mm LONG, STRIP 2mm & 9.5mm.

QA NOTE:  
[F]5 1. PULL FORCE TEST AT 2.5kgs MIN BEFORE BUSHING MOVES.



[L]5 [C]3 [C]3

\*UNLESS OTHERWISE SPECIFIED TOLERANCES PER DECIMAL PRECISION ARE: X=±1 (±0.039), X.X=±0.5 (±0.020), X.XX=±0.25 (±0.010), X.XXX=±0.127 (±0.005). LEAD SIZE=±0.05 (±0.002), LEAD LENGTH=±0.75 (±0.030). MIN=  $\begin{smallmatrix} +\text{DECIMAL PRECISION} \\ -0.00 \end{smallmatrix}$  MAX=  $\begin{smallmatrix} +0.00 \\ -\text{DECIMAL PRECISION} \end{smallmatrix}$  UNCONTROLLED DOCUMENT

**LUMEX**  
Creating LED and LCD Solutions Together™

290 E. HELEN ROAD  
PALATINE, IL 60067-6976  
PHONE: +1.847.359.2790  
FAX: +1.847.359.6538  
WEB: WWW.LUMEX.COM  
MEMBER OF ITW PHOTONICS GROUP

T-5mm 565nm GREEN PANEL INDICATOR LED, GREEN DIFFUSED, WITH 6" WIRE LEADS.

\*\*THE SPECIFICATIONS MAY CHANGE AT ANY TIME WITHOUT NOTICE DUE TO NEW MATERIALS OR PRODUCT IMPROVEMENT.\*\*

CONFIDENTIAL INFORMATION  
THE INFORMATION CONTAINED IN THIS DOCUMENT IS THE PROPERTY OF LUMEX INC. EXCEPT AS SPECIFICALLY AUTHORIZED IN WRITING BY LUMEX INC., THE HOLDER OF THIS DOCUMENT SHALL KEEP ALL INFORMATION CONTAINED HEREIN CONFIDENTIAL AND SHALL PROTECT SAME IN WHOLE OR IN PART FROM DISCLOSURE AND DISSEMINATION TO ALL THIRD PARTIES.

DATE:	05.15.12	DRAWN BY:	AB
PAGE:	1 OF 1	CHKD BY:	KF
SCALE:	NTS	APRVD BY:	KF
UNIT:	mm [INCH]		(P6)