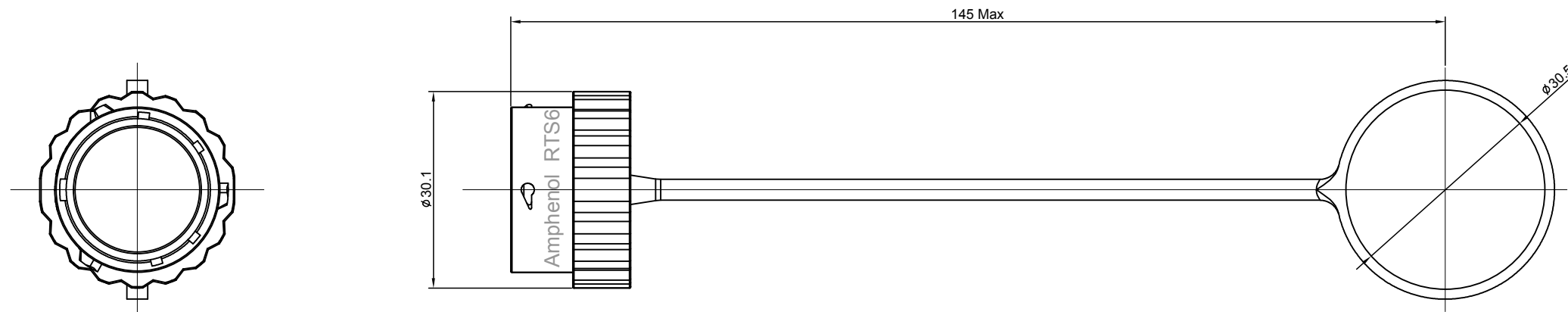
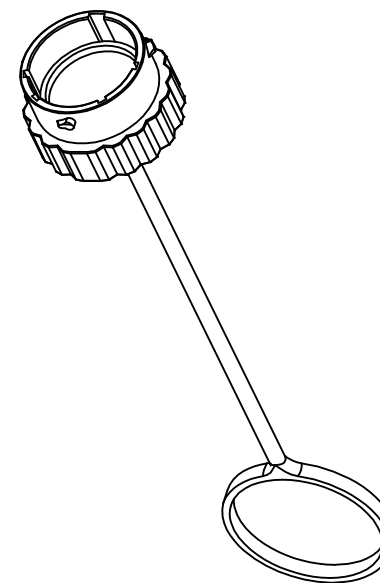


REVISIONS					
REV	ECO	DESCRIPTION	DATE	BY	APPR
A1	--	RELEASED DRAWING	Dec-26-2016	Ben	Tommy



NOTES : (UNLESS OTHERWISE SPECIFIED)

- MATERIAL :  
SHELL : THERMOPLASTIC , UL94 V-0.  
SEAL GASKET : NBR OR SR.
- SPECIFICATIONS :  
2.1 OPERATING TEMPERATURE : SEE TABLE.  
2.2 INSULATION RESISTANCE : 5000 MEGOHMS MIN.  
2.3 IP CLASS : IP67.  
2.4 MATING CYCLES DURABILITY : 500 CYCLES MIN.  
2.5 RoHS COMPLIANT.
- ALL DIMENSIONS ARE FOR REFERENCE USE ONLY.



KEY	PART NUMBER	
		-40°C ~ 105°C
N	RTS616*DCG	RTS616*DCG03

QUANTITY	PART NUMBER	DESCRIPTION	ITEM
<b>MATERIALS LIST</b>			
UNLESS OTHERWISE SPECIFIED 1) All dimensions are in metric(mm). 2) Tolerances are as follows: 1 PL DEC ±0.30   Fractions ±1/64 2 PL DEC ±0.15   Angles ±1° 3 PL DEC ±0.08		<b>Amphenol</b> Sine Systems - www.amphenol-sine.com 44724 Morley Drive Clinton Township, MI 48036	
MATERIAL SPECIFICATIONS:  PROCESS SPECIFICATIONS:  NEXT ASSY:		SIGNATURES    DATE DRAWN: Ben    Dec-26-2016 CHECKED: ENGINEER: APPROVAL: CUSTOMER: THIS DRAWING IS SUPPLIED FOR INFORMATION ONLY. DESIGN FEATURES, SPECIFICATIONS AND PERFORMANCE DATA SHOWN HEREON ARE THE PROPERTY OF THE AMPHENOL CORPORATION. NO RIGHTS OF REPRODUCTION ARE IMPLIED. ALL DIMENSIONS ARE SUBJECT TO NORMAL MANUFACTURING VARIATIONS.	
ECO-MATE,PLUG SEALING CAP,SIZE 16		SIZE: B    TYPE: C- SCALE: NONE	DWG NO: RTS616*DCG* REVISION: A1 SHEET 1 OF 1

TITLE: ECO-MATE,PLUG SEALING CAP,SIZE 16

DWG NO:

RTS616\*DCG\*

REV: A1

SH: 1

OF: 1