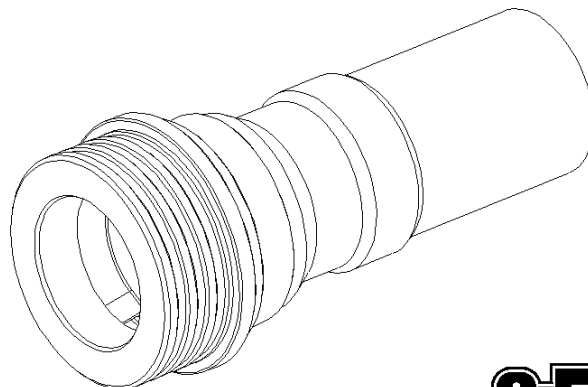
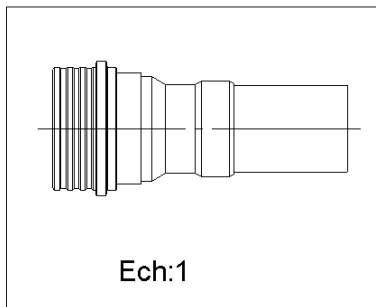
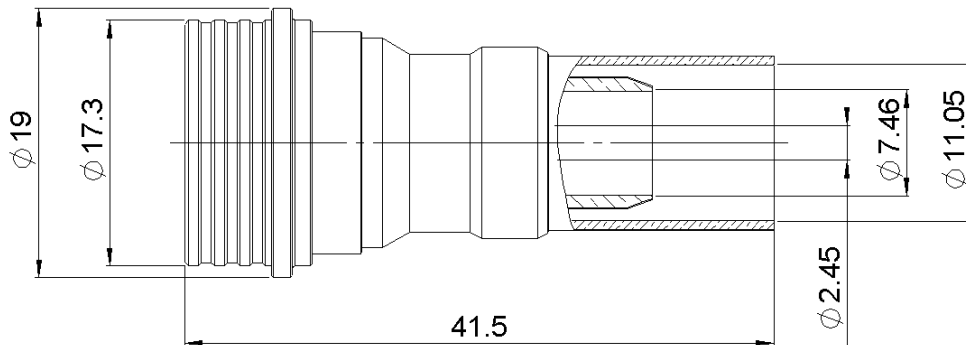


STRAIGHT PLUG FULL CRIMP TYPE

R164.080.000

CABLE 10/50 S

Series : QN



All dimensions are in mm.

| COMPONENTS | MATERIALS | PLATING (µm) |
|----------------|------------------|-------------------------------|
| BODY | BRASS | BBR OVER SILVER |
| CENTER CONTACT | BRASS | SILVER PASSIVATED OVER COPPER |
| OUTER CONTACT | BERYLLIUM COPPER | NPGR |
| INSULATOR | PTFE | |
| GASKET | EPDM | |
| OTHERS PARTS | BRASS | BBR |
| - | - | - |
| - | - | - |

Issue : 1308 D

In the effort to improve our products, we reserve the right to make changes judged to be necessary.
 This document contains proprietary information and such information shall not be disclosed to any third party for any purpose whatsoever or used for manufacturing purposes without prior written agreement from RADIALL



STRAIGHT PLUG FULL CRIMP TYPE

R164.080.000

CABLE 10/50 S

Series : QN

PACKAGING

| Standard | Unit | Other |
|-----------|-------------------|-------------------|
| 50 | 'W' option | Contact us |

SPECIFICATION

ELECTRICAL CHARACTERISTICS

| | | |
|---------------------------------|----------------------|--------------------------|
| Impedance | 50 | Ω |
| Frequency | *0-6 | GHz |
| VSWR | 1.05 + 0.0250 | x F(GHz) Maxi |
| Insertion loss | 0.048 | \sqrt{F} (GHz) dB Maxi |
| RF leakage | - (**) | - F(GHz)) dB Maxi |
| Voltage rating | 1000 | Veff Maxi |
| Dielectric withstanding voltage | 2500 | Veff mini |
| Insulation resistance | 5000 | M Ω mini |

CABLE ASSEMBLY

| Stripping | a | b | c | d | e | f |
|-----------|------|------|------|------|------|------|
| mm | 5.00 | 8.00 | 14.0 | 0.00 | 9.00 | 0.00 |

Assembly instruction : **Crimp 02**

Recommended cable(s)
 KX 4
 RG 165
 RG 213

Characteristics indicated on this data sheet are those that can be achieved with the highest performance cable. Intrinsic limitations of the cable may diminish the performance of the assembly

Cable retention

- pull off **300** N mini
 - torque **NA** N.cm

MECHANICAL CHARACTERISTICS

| | | |
|----------------------------|-----------|-----------|
| Center contact retention | | |
| Axial force – Mating end | 27 | N mini |
| Axial force – Opposite end | 27 | N mini |
| Torque | NA | N.cm mini |

Recommended torque

| | | |
|---------------|---------------|------|
| Mating | NA | N.cm |
| Panel nut | NA | N.cm |
| Clamp nut | NA | N.cm |
| A/F clamp nut | 0.0000 | mm |

| | | |
|-------------|----------------|-------------|
| Mating life | 100 | Cycles mini |
| Weight | 23.5000 | g |

TOOLING

| Part Number | Description | Hexagon |
|--------------|---------------|------------|
| R282.231.000 | CRIMPING TOOL | 2.54-10.54 |
| R282.235.116 | CRIMPING DIES | 2.54-10.54 |

OTHER CHARACTERISTICS

* Usable 0-11GHz
 **Connector only: -90dB min DC<F<3GHz
 -80dB min 3<F<6GHz

ENVIRONMENTAL

| | | |
|-----------------------|-----------------|--------------|
| Operating temperature | -55/+125 | $^{\circ}$ C |
| Hermetic seal | NA | Atm.cm3/s |
| Panel leakage | NA | |

Issue : 1308 D

In the effort to improve our products, we reserve the right to make changes judged to be necessary.
 This document contains proprietary information and such information shall not be disclosed to any third party for any purpose whatsoever or used for manufacturing purposes without prior written agreement from RADIALL

