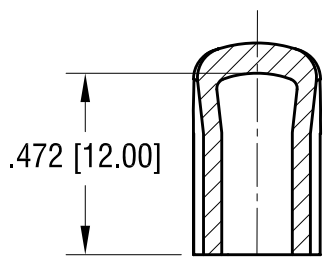
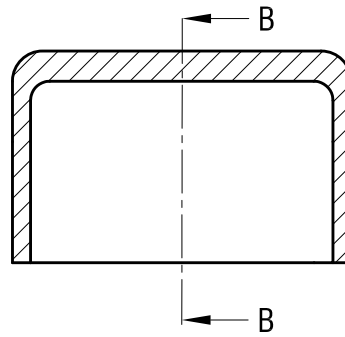


THIS DOCUMENT IS THE PROPERTY OF
KEYSTONE ELECTRONICS CORP. AND
SHALL NOT BE REPRODUCED, DISTRIBUTED
OR USED AS A BASIS FOR MANUFACTURE
WITHOUT PRIOR WRITTEN PERMISSION
FROM KEYSTONE ELECTRONICS CORP.

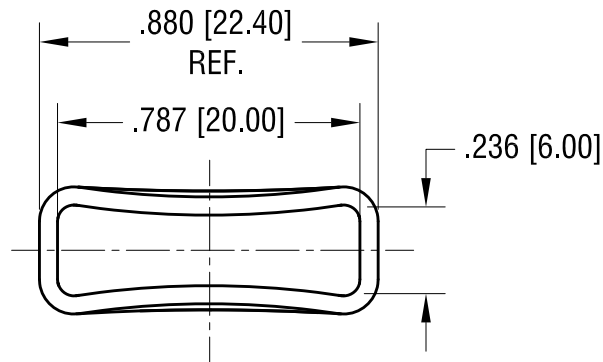
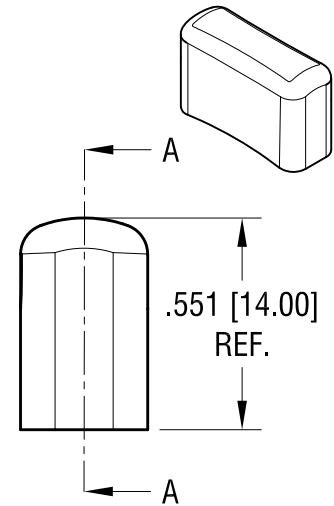
ACTUAL SIZE



SECTION B-B



SECTION A-A



KEYSTONE ELECTRONICS CORP.

www.keyelco.com • NEW HYDE PARK, NY 11040 • Tel (516) 328-7500

PART NAME

COVER FOR 4.6mm x 15mm FUSE BLOCK

MATERIAL

PVC ULV-0

FINISH

NONE

DRN BY

NT

DATE

12.03.10

APP'D

LN

SCALE

2X

1.10.18 CHANGE AS PER ECN 18-004

A

TOLERANCES

INCH [MM]

DECIMAL ± .039 [± 1.00]

CODE

DWG NO.

ANGULAR ± 1°
UNLESS OTHERWISE SPECIFIED

C

3521C

DATE

DESCRIPTION

REV.