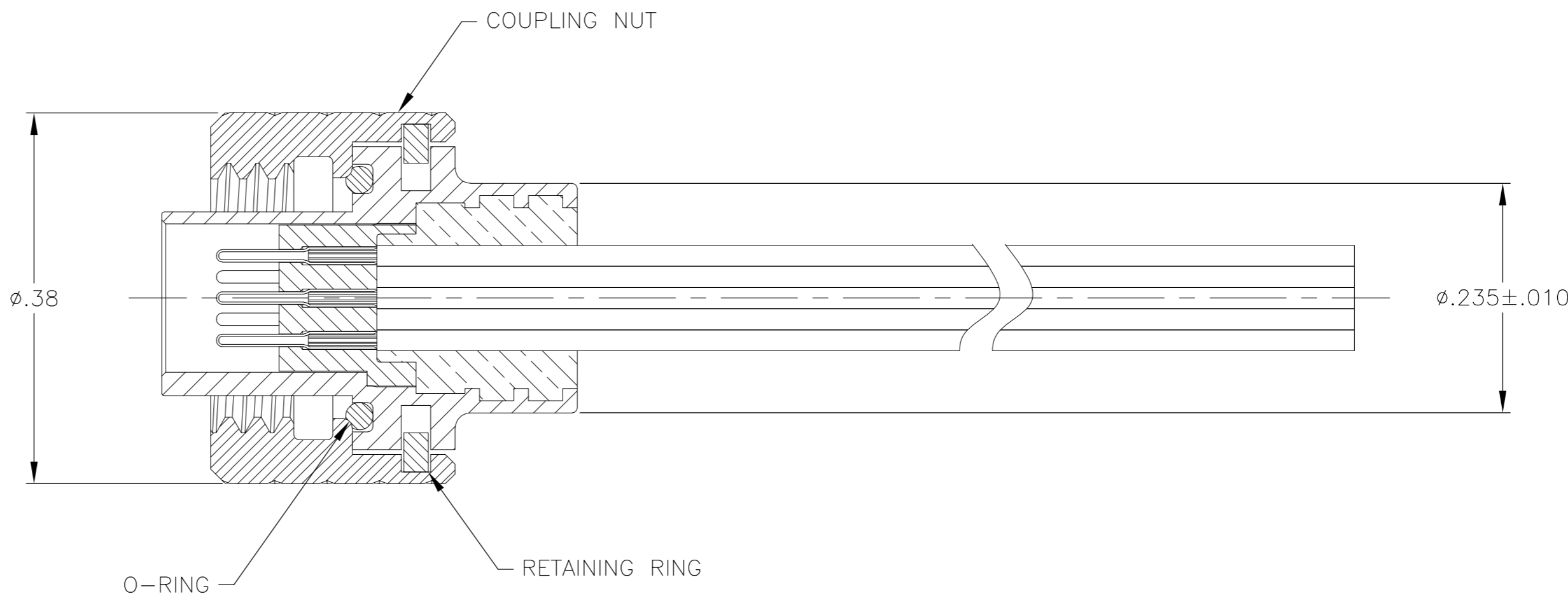
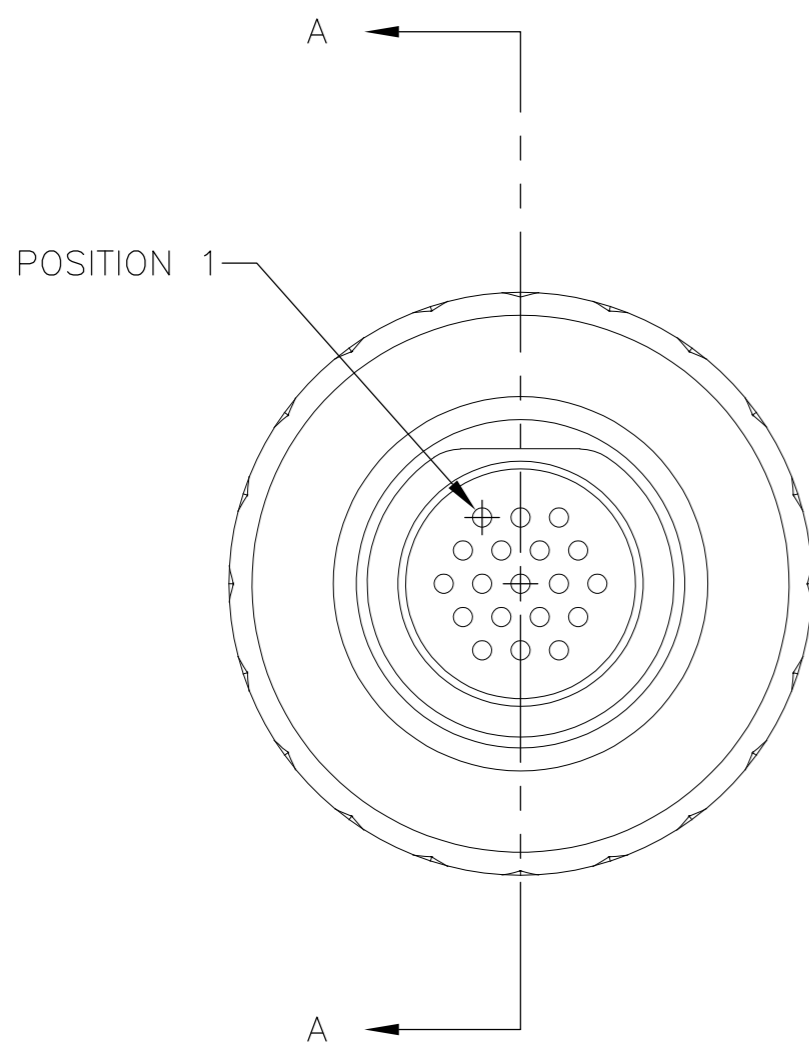
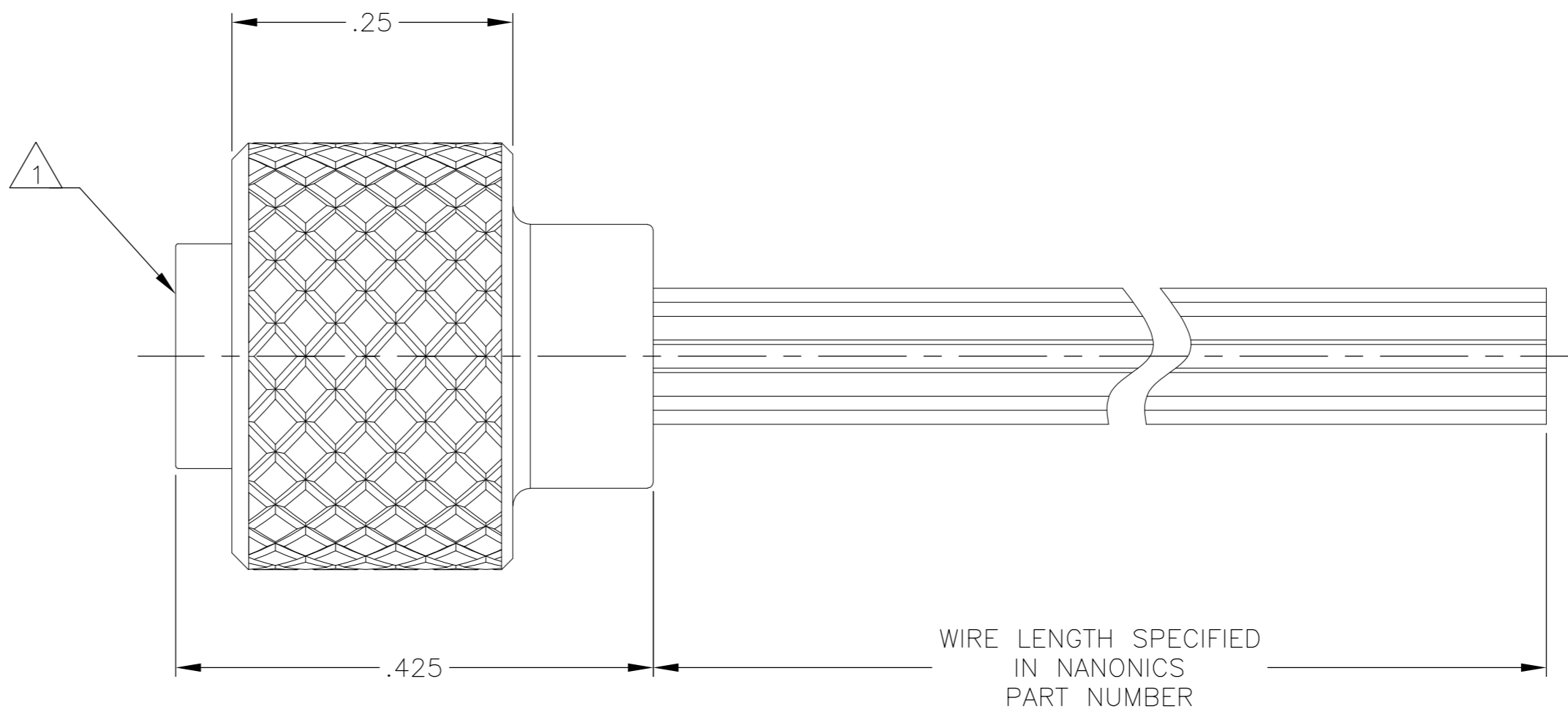
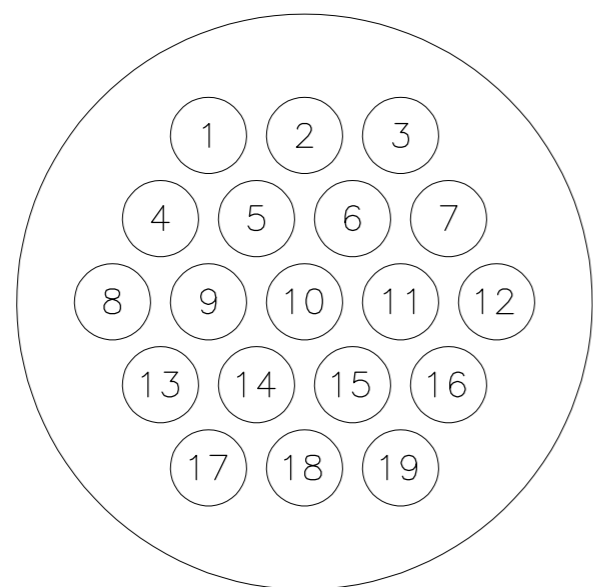


THIS DRAWING IS UNPUBLISHED. RELEASED FOR PUBLICATION
 © COPYRIGHT - By - ALL RIGHTS RESERVED.

LOC		DIST		REVISIONS			
P	LTR	DESCRIPTION		DATE	DWN	APVD	
	L	UPDATE PER ECO-11-013272		28 JUN 11	CAS	MKS	

CONTACT IDENTIFICATION



SECTION A-A

- 1 CONNECTOR BODY AND COUPLING NUT MATERIAL: 6061-T6 ALUMINUM, GOLD PLATED PER MIL-DTL-45204
 INSULATOR MATERIAL: LIQUID CRYSTAL POLYMER (LCP) PER ASTM D5138 OR POLYPHENYLENE SULFIDE (PPS) PER ASTM D4067
 RETAINING RING MATERIAL: STAINLESS STEEL, PASSIVATED PER SAE-AMS-2700
 O-RING MATERIAL: NITRILE
- 2 WIRE TERMINATION: 28 AWG SOLID, 30 AWG STRANDED WIRE OR SMALLER
- 3 PREVIOUS NANONICS DRAWING NUMBER C66023

THIS DRAWING IS A CONTROLLED DOCUMENT.		DWN	M. STORRY	08-19-97	STE TE Connectivity
DIMENSIONS: INCHES		CHK	E. PAULUS	09-04-97	
TOLERANCES UNLESS OTHERWISE SPECIFIED:		APVD	M. STORRY	04-24-02	
0 PLC ± - 1 PLC ± - 2 PLC ± .010 3 PLC ± .005 4 PLC ± - ANGLES ± 1°		PRODUCT SPEC	NAME		
MATERIAL SEE NOTE		FINISH	SEE NOTE		PLUG ASSEMBLY, 19 POSITION, CIRCULAR, NCG SERIES
MATERIAL SEE NOTE		FINISH	SEE NOTE		SIZE A2 CAGE CODE OPJN9 DRAWING NO. 1589427 RESTRICTED TO -
MATERIAL SEE NOTE		FINISH	SEE NOTE		WEIGHT - SCALE 8:1 SHEET 1 OF 1 REV L
MATERIAL SEE NOTE		FINISH	SEE NOTE		CUSTOMER DRAWING