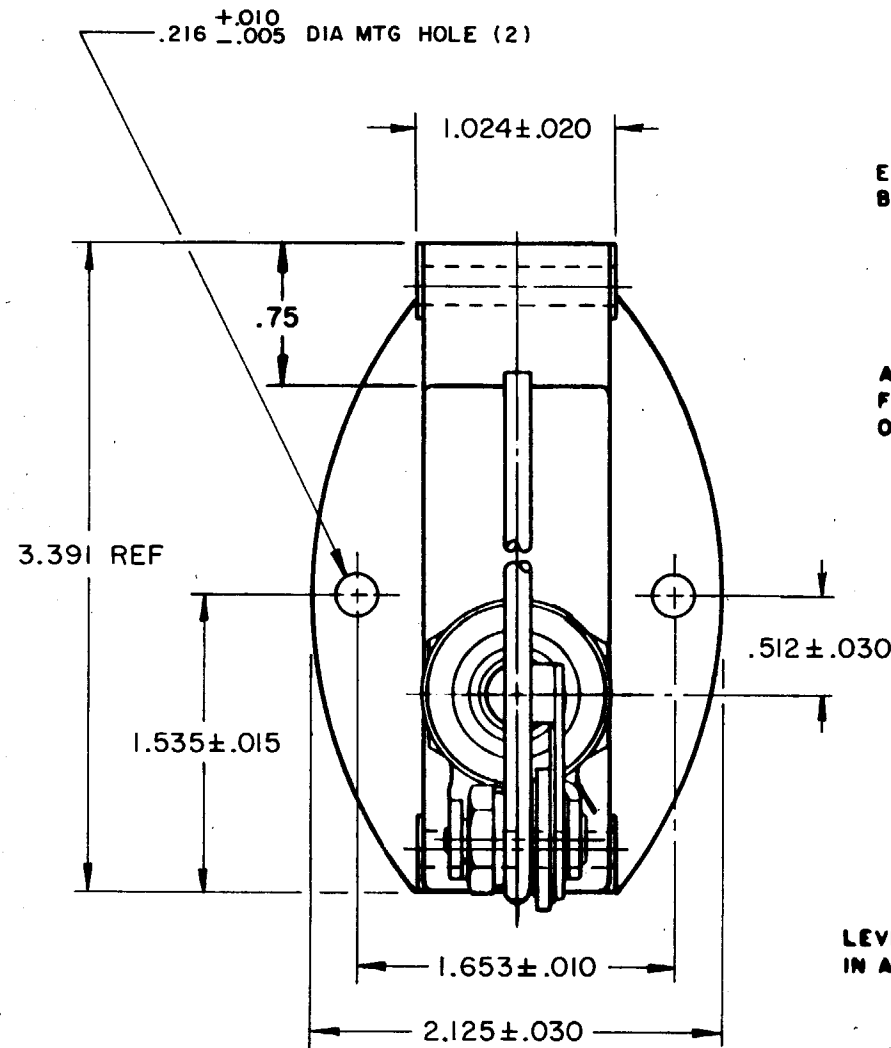


MICRO SWITCH
 FREEPORT, ILLINOIS, U.S.A.
 A DIVISION OF HONEYWELL
 FED. MFG. CODE 91920

SWITCH - ENCLOSED

CATALOG LISTING
BZH1-2RN62

BZH1-2RN62
 DRAWING NUMBER
 6
 ISSUE
 REVISIONS
 A PR-1342 2 JUL 70
 B CO28612 11 FEB 71
 C CO37675 23 SEP 76
 D CO55989 1 NOV 84
 E CO72977 6 J W
 F CO77179-C MAM 12 MAR 94
 OMW 26 FEB 70 CHECK DRAW 5 MAR 70 CHECK WHE 5 MAR 70 CHECK
 79-59578-003

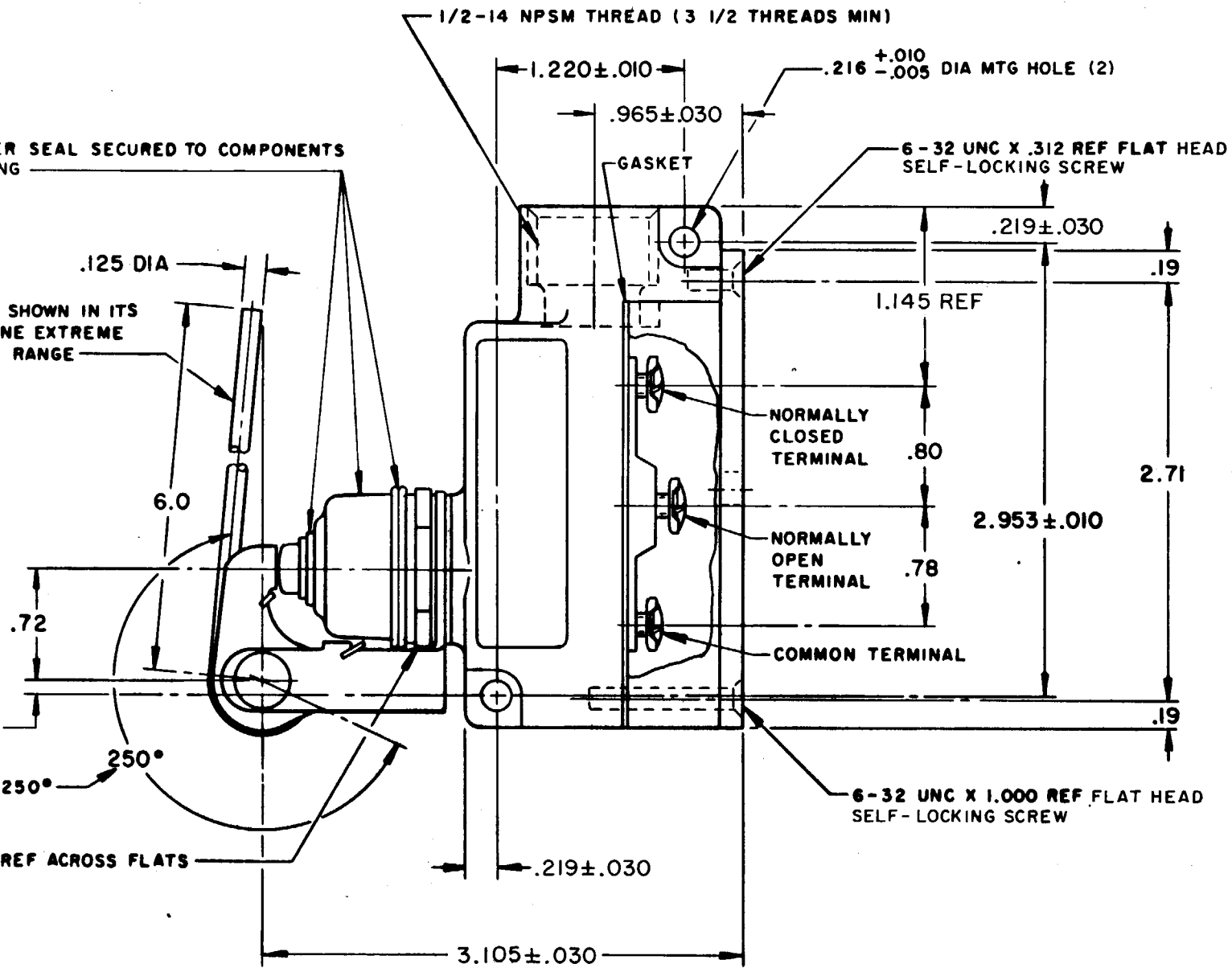


ELASTOMER PLUNGER SEAL SECURED TO COMPONENTS BY EXTERNAL BANDING

ALUMINUM LEVER IS SHOWN IN ITS FREE POSITION AT ONE EXTREME OF ITS ADJUSTABLE RANGE

LEVER MAY BE LOCKED IN ANY POSITION THRU 250°

HEX SEAL NUT .938 REF ACROSS FLATS



THIS DRAWING COVERS A PROPRIETARY ITEM AND IS THE PROPERTY OF MICRO SWITCH, A DIVISION OF MINNEAPOLIS-HONEYWELL REGULATOR CO. THIS DRAWING IS NOT TO BE COPIED OR USED WITHOUT THE APPROVAL OF MICRO SWITCH.

CHARACTERISTICS	ELECTRICAL DATA	SCALE FULL
OPERATING FORCE ----- 3-7 OZ	CONTACT ARRANGEMENT S P D T	DO NOT SCALE PRINT
RELEASE FORCE ----- 1 OZ MIN	15A - 125, 250 OR 480 VAC, 2A - 600 VAC 1/8HP - 125 VAC; 1/4HP - 250 VAC CODE L74 1/2A - 125 VDC; 174A - 250 VDC 	UNLESS OTHERWISE NOTED
PRETRAVEL ----- .718 MAX		DIMENSIONS ARE IN INCHES
DIFFERENTIAL TRAVEL ----- .229 MAX		TOLERANCES ARE:
OVERTRAVEL ----- .838 MIN		ONE PLACE (.0) ±.030
SWITCH-BASIC REPLACEMENT ---- 8Z-2RN702		TWO PLACE (.00) ±.015
		THREE PLACE (.000) ±.008
		ANGLES ±
		WEIGHT

- NOTE -
- 6-32 UNC X .219 REF BINDING HEAD TERMINAL SCREW AND CUPWASHER (3)
 - ROD LEVER BRACKET ASSEMBLY MAY BE SET AT ANY POSITION AROUND AXIS OF PLUNGER