

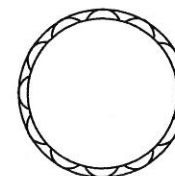
PART NAME: KNOB      SCALE: 1:1      DATE: 11/1/16      DR. BY JAM

THIS DRAWING IS THE PROPERTY OF DAVIES MOLDING COMPANY, IS SUBMITTED SOLELY AS A DESIGN OR ENGINEERING PROJECT. WE ACCEPT NO RESPONSIBILITY WHATSOEVER FOR THE PRACTICAL APPLICATION OF THE PIECES MADE TO THIS DESIGN.

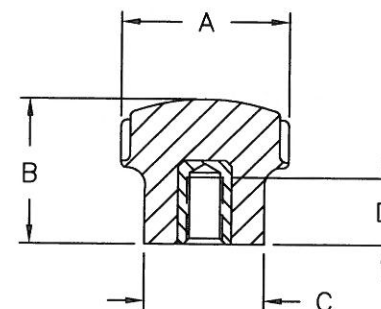


DESIGNERS & MANUFACTURERS OF KNOBS, HANDLES, CASES & CUSTOM PLASTIC COMPONENTS

P/N 2965QA-QF

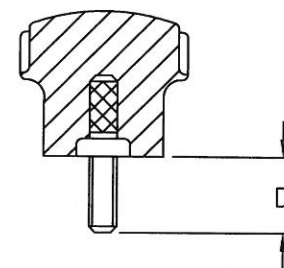


	THREAD	A	B	C	D
2965QA	M4 X 0.7	22	19	16	10
2965QB	M6 X 1	22	19	16	12



THREADED INTERNAL INSERT

	THREAD	A	B	C	D
2965QC	M4 X 0.7	22	19	16	10
2965QD	M4 X 0.7	22	19	16	20
2965QE	M6 X 1	22	19	16	20
2965QF	M6 X 1	22	19	16	30



THREADED STUD

KNOB MATERIAL: PHENOLIC  
COLOR: BLACK

INSERT MATERIAL: INTERNAL INSERTS ARE BRASS,  
PROJECTING STUDS ARE ZINC PLATED STEEL

TOLERANCES: UNLESS OTHERWISE SPECIFIED	DO NOT SCALE DRAWING			
	MM: X.XX ± 0.15MM X.X ± 0.4MM			
	ANG. ± 1°	CHANGES		