

Specification Sheet

USB2.0 Flash Drive AH133



Apacer Technology Inc.

4th Fl., 75 Xintai 5th Rd., Sec.1, Hsichih, Taipei Hsien 221, Taiwan

Tel: +886-2-2698-2888 Fax: +886-2-2698-2889

www.apacer.com

Table of Contents

1. Product Introduction.....	3
2. Product Features.....	3
3. Specification.....	4
4. Physical Dimension.....	4
5. Revision History.....	5

1. Product Introduction

Round Heaven and Square Earth, which had originated from the ancient oriental cosmology and was later incorporated into philosophy and architecture, represents the essence of the five-thousand-year Chinese culture. Today, Apacer reinterprets the ancient wisdom of Round Heaven and Square Earth by combining it with exquisite industrial design for the new flash drive: AH133! Its boutique-like, slim metallic body tactfully employs the geometric elements of square and circle, complementing with two representative colors of oriental arts: red and gold. A perfect blend of tradition and modernity, technology and aesthetics!

The exquisitely crafted, square, metallic body of the AH133 boasts a quality feel. Its ultra thin body measures only 33.8mm x 12.2cm x 4.5mm, making it easier to carry. The buckle also allows straps or chains to be freely attached to show personal style. By borrowing two typical colors, red and gold, from the traditional Chinese chromatics, AH133 is a sight to behold.

AH133 adopts the advanced COB technology, which offers water-proof and dust-proof features. Compatible with the latest Windows 7, it is a one-size-fits-all solution for computers of different generations.

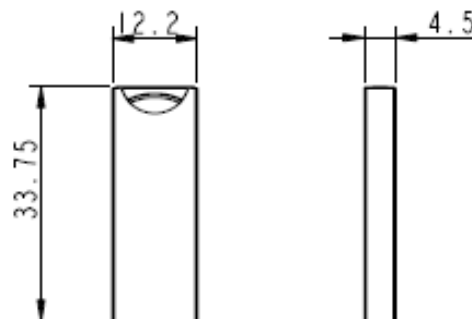
2. Features

- High-speed USB 2.0 certified, backwards compatible with USB 1.1
- USB powered. No external power required.
- Easy plug & play
- Ultra compact and slim
- Available color: Gold & Red
- Robust and sturdy aluminum drive
- RoHS compliant

3. Specifications

Specifications	
Interface	High-speed USB 2.0 certified, backwards compatible with USB 1.1
Power supply	USB bus powered; No external power required
Operating Systems Supported	Windows 7/XP/2000/Vista, Mac OS 8.6 and Linux 2.4.0 or above
Capacity	4GB-16GB
Operating Temperature	0° C to +60° C (32° F to 140° F)
Storage Temperature	-20° C to +60° C (-4° F to +140° F)
Dimensions	(L)33.8 x (W)12.2 x (H)4.5mm
Weight	3g approx.
Certificate	CE, FCC, BSMI, C-Tick

4. Physical Dimension



Unit: mm

5. Revision History

Revision	History	Date	Remark
1.0	Official release	Nov. 18,2011	