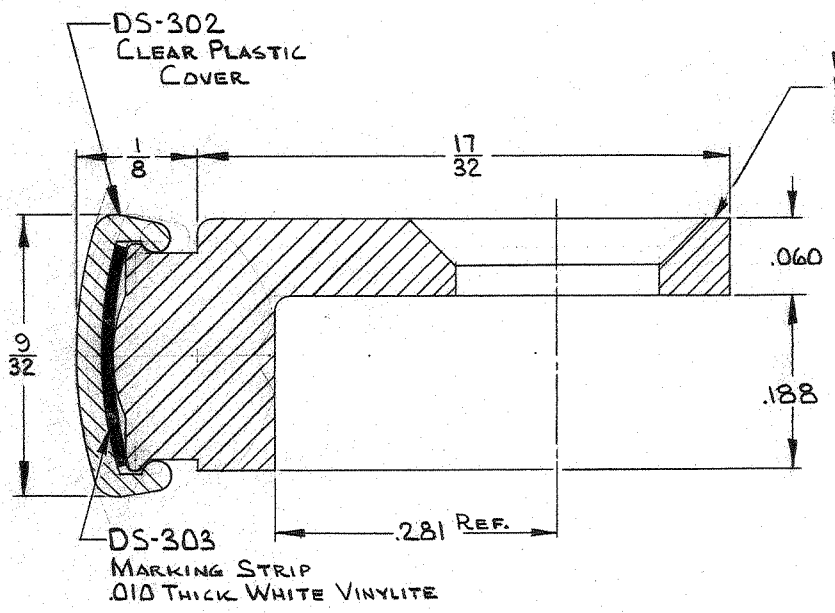
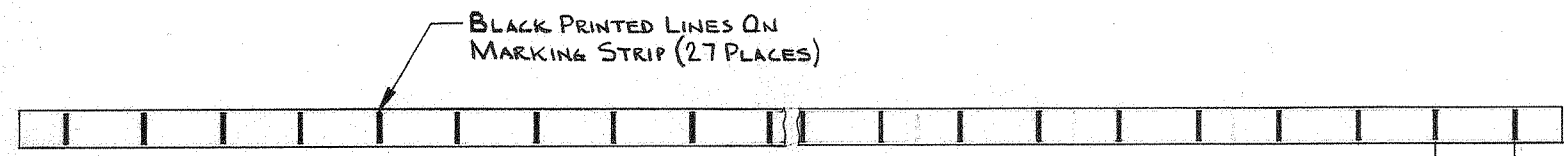
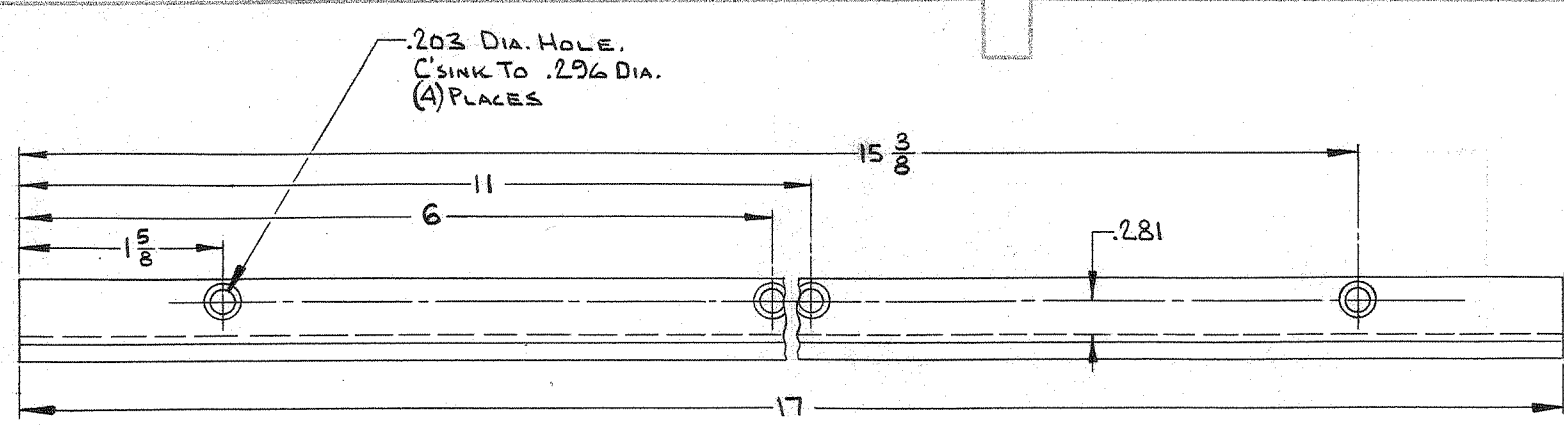


| REV | DATE | BY | REVISION |
|-----|------|----|----------------|
| 0A | | | NO. WAS DS-300 |
| | | | |
| | | | |
| | | | |
| | | | |



NOTE: PART TO BE SHIPPED ASSEMBLED AS SHOWN & INCLUDES 4 #6-32x3/8 LG. SELF-TAPPING SCREWS FOR MOUNTING TO A 1400 OR 2600 SERIES JACK PANEL.

| | | | |
|--|--|--------------------|----------------------|
| SIZE WIDTH MATERIAL TEMPER | THIS DRAWING DESCRIBES A DESIGN CONSIDERED PROPRIETARY IN NATURE, DEVELOPED AND MANUFACTURED BY SWITCHCRAFT, INC. AND IS RELEASED ON A CONFIDENTIAL BASIS FOR IDENTIFICATION PURPOSE ONLY. | | |
| | UNLESS OTHERWISE SPECIFIED: | | |
| | DRAWN BY FGD | DATE 11-26-68 | FINISH |
| | CHECKED BY JY | DATE 11-27-68 | PER FINISH SPEC. NO. |
| | APPROVED BY R.V. | DATE 1-9-85 | PER MAT. SPEC. NO. |
| SCALE 1:1 & 8:1 | | FIRST USED ON | |
| NAME DESIGNATION STRIP | | PART NO. DS-301 | |
| ASSEMBLY | | SHEET OF 1 | |
| 1. DECIMAL DIMENSIONS ± .005 2. FRACTIONAL DIMENSIONS ± 1/64 3. ANGLES ± 1/2° 4. ALL DIA'S CONCENTRIC WITHIN .005 T.I.N. 5. ALL DIMENSIONS IN INCHES 6. FOR THREADS USE UNIFIED PLUG AND RING GAGES ONLY. 7. REMOVE ALL BURRS. 8. PART TO BE FABRICATED AS SPECIFIED. MAKE NO DIMENSIONAL ALLOWANCES FOR APPLIED FINISHES, I.E., PLATING, PAINTING, ETC. 9. HOLES ON SAME CENTERLINE MUST BE ALIGNED WITHIN ± .002 DO NOT SCALE DRAWING | | | |

Mouser Electronics

Authorized Distributor

Click to View Pricing, Inventory, Delivery & Lifecycle Information:

[Switchcraft:](#)

[DS301X](#)