



## AC'97 2.3 CODECS WITH STEREO MICROPHONE & UNIVERSAL JACK

## STAC9752A/9753A

### FEATURES

- High Performance SD Technology
- AC'97 Rev 2.3 Complaint
- 20-bit Full Duplex Stereo ADC & DACs
- Independent Sample Rates for ADC & DACs
- 5-Wire AC-Link Protocol Compliance
- 20-Bit SPDIF Output
- Universal Jacks™
- Full Stereo Microphone Pre-Amp
- Internal Jack Sensing on Headphone & Line\_Out
- Internal Microphone Input Sensing
- Digital PC Beep Option
- Extended AC'97 2.3 Paging Registers
- General Purpose I/Os and Crystal Elimination Circuit
- Headphone Drive Capability (50 mW per channel)
- Switchable Headphone Out (pins 39/41 or 35/36)
- 0dB, 10dB, 20dB and 30dB Microphone Boost Capability
- +3.3 V (STAC9753A) and +5 V (STAC9752A) Analog Power Supply Options
- Pin Compatible with STAC9750/52/66

### KEY SPECIFICATIONS

- Analog LINE\_OUT SNR: 94dB
- Digital DAC SNR: 92dB
- Digital ADC SNR: 85dB
- Full-scale Total Harmonic Distortion: 0.002%
- Crosstalk Between Input Channels: -70dB
- Spurious Tone Rejection: 100dB
- Stereo Microphone Input

### RELATED MATERIALS

- Data Sheet

- Reference Designs

### DESCRIPTION

TSI's STAC9752A/9753A are general purpose 20-bit, full duplex, audio CODECs conforming to the analog component specification of AC'97 (Audio CODEC 97 Component Specification Rev. 2.3). The STAC9752A/9753A incorporates TSI's proprietary SD technology.

The AC'97 CODEC is designed to achieve a DAC SNR in excess of 94dB. The DACs, ADCs, and mixer are integrated with analog I/Os, which include four analog line-level stereo inputs, two analog line-level mono inputs, two stereo outputs, and one mono output channel.

The STAC9752A/9753A includes digital input/output capability for support of modern PC systems, with an output that supports the SPDIF format. The STAC9752A/9753A is a standard 2-channel stereo CODEC. With TSI's headphone drive capability, headphones can be driven with without an external amplifier.

The STAC9752A/9753A may be used as a secondary CODEC, with the STAC9700/21/56/08/84/50/52 as the primary, in a multiple CODEC configuration conforming to the AC'97 Rev. 2.3 specification. This configuration can provide the true six-channel, AC-3 playback required for DVD applications.

The STAC9752A/9753A communicates via the five-wire AC-Link to any digital component of AC'97, providing flexibility in the audio system design.

Packaged in an AC'97 compliant 48-pin TQFP, the STAC9752A/9753A can be placed on a motherboard, daughter boards, PCI, AMR, CNR, MDC or ACR cards.

The STAC9752A/9753A provides variable sample rate Digital-to-Analog (DA) and Analog-to-Digital (AD) conversion, mixing, and analog processing.

Supported audio sample rates include 48 KHz, 44.1 KHz, 32 KHz, 22.05 KHz, 16 KHz, 11.025 KHz, and 8 KHz; additional rates are supported in the STAC9752A/9753A soft audio drivers. All ADCs and DACs operate at 20-bit resolu-

**TABLE OF CONTENTS**

**PRODUCT BRIEF ..... 6**

- Features ..... 6
- Description ..... 6
- STAC9752A/9753A Block Diagram ..... 8
- Key Specifications ..... 8
- Related Materials ..... 8
- Additional Support ..... 9

**CHARACTERISTICS AND SPECIFICATIONS ..... 10**

- Electrical Specifications ..... 10
  - Absolute Maximum Ratings ..... 10
  - Recommended Operation Conditions ..... 10
  - Power Consumption ..... 11
  - AC-Link Static Digital Specifications ..... 11
  - STAC9752A Analog Performance Characteristics ..... 12
  - STAC9753A Analog Performance Characteristics ..... 13
- AC Timing Characteristics ..... 15
  - Cold Reset ..... 15
  - Warm Reset ..... 15
  - Clocks ..... 16
  - STAC9752A/9753A Crystal Elimination Circuit and Clock Frequencies ..... 16
  - Data Setup and Hold ..... 17
  - Signal Rise and Fall Times ..... 17
  - AC-Link Low Power Mode Timing ..... 18
  - ATE Test Mode ..... 18

**TYPICAL CONNECTION AND POWER DIAGRAMS ..... 20**

- STAC9752A/9753A Typical Connection Diagram for 48-pin LQFP ..... 20
- STAC9752A/9753A Typical Connection Diagram for 32-pad QFN ..... 21
- Split Independent Power Supply Operation ..... 22
- Split Independent Power Supply Operation for the 32-pad QFP Package ..... 23

**CONTROLLER, CODEC, AND AC-LINK ..... 24**

- AC-Link Physical interface ..... 24
- Controller to Single CODEC ..... 24
- Controller to Multiple CODECs ..... 25
  - Primary CODEC Addressing ..... 25
  - Secondary CODEC Addressing ..... 26
  - CODEC ID Strapping ..... 6
- Clocking for Multiple CODEC Implementations ..... 26
- STAC9752A/9753A as a Primary CODEC ..... 26
  - STAC9752A/9753A as a Secondary CODEC ..... 27
- AC-Link Power Management ..... 27
  - Powering down the AC-Link ..... 27
  - Waking up the AC-Link ..... 27
    - Controller Initiates Wake-up ..... 28
    - CODEC Initiates Wake-up ..... 28
  - CODEC Reset ..... 28
    - Cold AC'97 Reset ..... 28
    - Warm AC'97 Reset ..... 28
    - Register AC'97 Reset ..... 29

**AC-LINK DIGITAL INTERFACE ..... 30**

- Overview ..... 30
- AC-Link Serial Interface Protocol ..... 31
  - AC-Link Variable Sample Rate Operation ..... 31
  - Variable Sample Rate Signaling Protocol ..... 31
    - SLOTREQ Behavior and Power Management ..... 32
  - Primary and Secondary CODEC Register Addressing ..... 33
- AC-Link Output Frame (SDATA\_OUT) ..... 33
  - Slot 0: TAG / CODEC ID ..... 35

# STAC9752A/9753A

## AC'97 2.3 CODECs with Stereo Microphone & Universal Jack

Slot 1: Command Address Port .....	35
Slot 2: Command Data Port .....	36
Slot 3: PCM Playback Left Channel .....	36
Slot 4: PCM Playback Right Channel .....	36
Slot 5: NOT USED (Modem Line 1 Output Channel) .....	36
Slot 6 -11: DAC .....	37
Slot 12: Audio GPIO Control Channel .....	37
AC-Link Input Frame (SDATA_IN) .....	37
Slot 0: TAG .....	38
Slot 1: Status Address Port / SLOTREQ Signaling Bits .....	38
Status Address Port .....	38
SLOTREQ signaling bits .....	38
Slot 2: Status Data Port .....	39
Slot 3: PCM Record Left Channel .....	39
Slot 4: PCM Record Right Channel .....	39
Slot 5: NOT USED (Modem Line 1 ADC) .....	39
Slot 6-9: ADC .....	39
Slots 7-8: Vendor Reserved .....	40
Slot 10 & 11: ADC .....	40
Slot 12: Reserved .....	40
AC-Link Interoperability Requirements and Recommendations .....	40
"Atomic slot" Treatment of Slot 1 Address and Slot 2 Data .....	40
Slot Assignments for Audio .....	41
<b>STAC9752A/9753A FUNCTIONAL BLOCKS .....</b>	<b>43</b>
STAC9752A/9753A Mixer Description .....	43
Mixer Functional Diagrams .....	44
Mixer Analog Input .....	44
Mixer Analog Output .....	44
SPDIF Digital Mux .....	44
PC Beep Implementation .....	45
Analog PC Beep .....	45
Digital PC Beep .....	45
<b>PROGRAMMING REGISTERS .....</b>	<b>46</b>
Register Descriptions .....	47
Reset (00h) .....	47
Master Volume Registers (02h) .....	47
Headphone Volume Registers (04h) .....	48
Master Volume MONO (06h) .....	49
PC BEEP Volume (0Ah) .....	49
Phone Volume (Index 0Ch) .....	50
Stereo or Mic Volume (Index 0Eh) .....	50
LineIn Volume (Index 10h) .....	51
CD Volume (Index 12h) .....	52
Video Volume (Index 14h) .....	52
Aux Volume (Index 16h) .....	53
PCMOuT Volume (Index 18h) .....	53
Record Select (1Ah) .....	54
Record Gain (1Ch) .....	55
General Purpose (20h) .....	55
3D Control (22h) .....	56
Audio Interrupt and Paging (24h) .....	56
Powerdown Ctrl/Stat (26h) .....	57
Ready Status .....	58
Powerdown Controls .....	58
External Amplifier Power Down Control Output .....	58
Extended Audio ID (28h) .....	59
Extended Audio Control/Status (2Ah) .....	60
Variable Rate Sampling Enable .....	61
SPDIF .....	61

# STAC9752A/9753A

## AC'97 2.3 CODECs with Stereo Microphone & Universal Jack

SPCV (SPDIF Configuration Valid) .....	61
SPSA1, SPSA0 (SPDIF Slot Assignment) .....	61
PCM DAC Rate Registers (2Ch and 32h) .....	62
PCM DAC Rate (2Ch) .....	62
PCM LR ADC Rate (32h) .....	62
SPDIF Control (3Ah) .....	63
General Purpose Input & Outputs .....	63
EAPD .....	63
GPIO Pin Definitions .....	64
GPIO Pin Implementation .....	64
Extended Modem Status and Control Register (3Eh) .....	64
GPIO Pin Configuration Register (4Ch) .....	65
GPIO Pin Polarity/Type Register (4Eh) .....	65
GPIO Pin Sticky Register (50h) .....	65
GPIO Pin Mask Register (52h) .....	66
GPIO Pin Status Register (54h) .....	66
Extended CODEC Registers Page Structure Definition .....	66
Extended Registers Page 00 .....	67
Extended Registers Page 01 .....	67
Extended Registers Page 02, 03 .....	67
STAC9752A/9753A Paging Registers .....	67
CODEC Class/Rev (60h <a href="#">Page 01h</a> ) .....	67
PCI SVID (62h <a href="#">Page 01h</a> ) .....	68
PCI SSID (64h <a href="#">Page 01h</a> ) .....	68
Function Select (66h <a href="#">Page 01h</a> ) .....	69
Function Information (68h <a href="#">Page 01h</a> ) .....	70
Digital Audio Control (6Ah, Page 00h) .....	72
Sense Details (6Ah <a href="#">Page 01h</a> ) .....	72
Revision Code (6Ch) .....	74
Analog Special (6Eh) .....	74
Analog Current Adjust (72h) .....	75
EAPD Access Register (74h) .....	76
Register 78h Enable (76h) .....	77
Universal Jacks™ Selection (78h) .....	77
Vendor ID1 and ID2 (Index 7Ch and 7Eh) .....	78
Vendor ID1 (7Ch) .....	78
Vendor ID2 (7Eh) .....	78
<b>LOW POWER MODES .....</b>	<b>79</b>
<b>MULTIPLE CODEC SUPPORT .....</b>	<b>81</b>
Primary/Secondary CODEC Selection .....	81
Primary CODEC Operation .....	81
Secondary CODEC Operation .....	81
Secondary CODEC Register Access Definitions .....	81
<b>TESTABILITY .....</b>	<b>83</b>
ATE Test Mode .....	83
<b>STAC9752A/9753A PIN DESCRIPTION .....</b>	<b>84</b>
Pin Description for the 48-pin LQFP Package .....	84
Pinout List 48-pin LQFP Package .....	85
Pin Description for the 32-pad QFN Package .....	86
Pinout List 32-pad QFN Package .....	87
STAC9752A/9753A Digital I/O .....	87
STAC9752A/9753A Analog I/O .....	88
STAC9752A/9753A Filter/References .....	89
STAC9752A/9753A Power and Ground Signals .....	89
STAC9752A/9753A No Connects .....	89
<b>ORDERING INFORMATION .....</b>	<b>90</b>
<b>PACKAGE DRAWINGS AND PC BOARD LAYOUT INFORMATION .....</b>	<b>91</b>
48-Pin LQFP .....	91

# STAC9752A/9753A

## AC'97 2.3 CODECs with Stereo Microphone & Universal Jack

---

32-Pad QFN .....	92
PC Board Recommendations for 32-pad QFN Package	93
<b>SOLDER REFLOW PROFILE .....</b>	<b>94</b>
Standard Reflow Profile Data .....	94
Pb Free Process - Package Classification Reflow Temperatures .....	94
<b>APPENDIX A: PROGRAMMING REGISTERS .....</b>	<b>96</b>
<b>REVISION HISTORY .....</b>	<b>98</b>

# STAC9752A/9753A

## AC'97 2.3 CODECs with Stereo Microphone & Universal Jack

### LIST OF FIGURES

STAC9752A/9753A Block Diagram .....	10
Cold Reset Timing .....	17
Warm Reset Timing .....	17
Clocks Timing .....	18
Data Setup and Hold Timing .....	19
Signal Rise and Fall Times Timing .....	20
AC-Link Low Power Mode Timing .....	20
ATE Test Mode Timing .....	20
STAC9752A/9753A Typical Connection Diagram 48-pin LQFP .....	22
STAC9752A/9753A Typical Connection Diagram 32-pad QFN .....	23
Split Connection Diagram 32-pad QFN .....	25
AC-Link to its Companion Controller .....	26
STAC9752A/9753A Powerdown Timing .....	29
Bi-directional AC-Link Frame with Slot assignments .....	32
AC-Link Audio Output Frame .....	35
Start of an Audio Output Frame .....	36
STAC9752A/9753A Audio Input Frame .....	39
Start of an Audio Input Frame .....	39
Bi-directional AC-Link Frame with Slot assignments .....	43
AC-Link Input Slots Dedicated To CODEC .....	44
STAC9752A/9753A 2-Channel Mixer Functional Diagram .....	46
Example of STAC9752A/9753A Powerdown/Powerup Flow .....	81
Powerdown/Powerup Flow With Analog Still Alive .....	82
Pin Description Drawing .....	86
STAC9752A/9753A 32 pad QFN Pin Description Drawing .....	88
Package Drawing - 48-pin LQFP .....	93
Package Drawing - 32-pad QFN .....	94
Recommended PCB Layout for 32-pad QFN Package .....	95
Reflow Profile .....	96

# STAC9752A/9753A

## AC'97 2.3 CODECs with Stereo Microphone & Universal Jack

### LIST OF TABLES

Table 1. Clock mode configuration .....	18
Table 2. Common Clocks and Sources .....	19
Table 3. Recommended CODEC ID strapping .....	28
Table 4. AC-Link Output Slots (transmitted from the Controller) .....	32
Table 5. The AC-Link Input Slots (transmitted from the CODEC) .....	33
Table 6. VRA Behavior .....	34
Table 7. Output Slot 0 Bit Definitions .....	37
Table 8. Command Address Port Bit Assignments .....	38
Table 9. Status Address Port Bit Assignments .....	40
Table 10. Status Data Port Bit Assignments .....	41
Table 11. Primary CODEC Addressing: Slot 0 Tag Bits .....	42
Table 12. Secondary CODEC Addressing: Slot 0 tag bits .....	43
Table 13. AC-Link Output Slots Dedicated To CODEC .....	43
Table 14. AC-Link Output Slots Dedicated To Audio .....	44
Table 15. AC-Link Input Slots Dedicated To Audio .....	44
Table 16. Audio Interrupt Slot Definitions .....	44
Table 17. Digital PC Beep Examples .....	47
Table 18. Programming Registers .....	48
Table 19. Extended Audio ID Register Functions .....	61
Table 20. AMAP compliant .....	63
Table 21. Hardware Supported Sample Rates .....	64
Table 22. Supported Jack and Mic Sense Functions .....	72
Table 23. Reg 68h Default Values .....	73
Table 24. Gain or Attenuation Examples .....	73
Table 25. Register 68h/Page 01h Bit Overview .....	74
Table 26. Sensed Bits (Outputs) .....	75
Table 27. Sensed Bits (Inputs) .....	76
Table 28. Low Power Modes .....	81
Table 29. CODEC ID Selection .....	83
Table 30. Secondary CODEC Register Access Slot 0 Bit Definitions .....	84
Table 31. Test Mode Activation .....	85
Table 32. ATE Test Mode Operation .....	85
Table 33. STAC9752A/9753A 48 Pin LQFP Pin List .....	87
Table 34. STAC9752A/9753A 32 Pad QFN Pin List .....	89
Table 35. STAC9752A/9753A Digital Connection Signals .....	89
Table 36. STAC9752A/9753A Analog Connection Signals .....	90
Table 37. STAC9752A/9753A Filtering and Voltage References .....	91
Table 38. STAC9752A/9753A Power and Ground Signals .....	91
Table 39. STAC9752A/9753A No Connects .....	91

# STAC9752A/9753A

## AC'97 2.3 CODECs with Stereo Microphone & Universal Jack

---

### 1. PRODUCT BRIEF

#### 1.1. Features

- High performance SD technology
- AC'97 Rev 2.3 Complaint, 20-bit, full duplex stereo ADCs & DACs
- Independent sample rates for ADCs & DACs
- 5-Wire AC-Link protocol compliance
- 20-Bit SPDIF Output
- Universal Jacks™
- Full Stereo Microphone Pre-Amp
- Internal Jack Sensing on Headphone & Line\_Out
- Internal Microphone Input Sensing
- Digital PC Beep Option
- Extended AC'97 2.3 Paging Registers
- Digital-ready status
- General purpose I/Os
- Crystal Elimination Circuit
- Headphone drive capability (50 mW per channel)
- Switchable Headphone Out (pins 39/41 or 35/36)
- 0, 10db, 20db, and 30 dB microphone boost capability
- +3.3 V (STAC9753A) and +5 V (STAC9752A) analog power supply options
- Pin compatible with STAC9700/21/56
- 100% compatible with STAC9750/52/66
- TSI Surround (SS3D) Stereo Enhancement
- Energy saving dynamic power modes
- Multi-CODEC option (Intel AC'97 rev 2.3)
- 94dB SNR LINE-LINE

#### 1.2. Description

TSI's STAC9752A/9753A are general purpose 20-bit, full duplex, audio CODECs conforming to the analog component specification of AC'97 (Audio Codec 97 Component Specification Rev. 2.3). The STAC9752A/9753A incorporates TSI's proprietary SD technology to achieve a DAC SNR in excess of 92dB. The DACs, ADCs and mixer are integrated with analog I/Os, which include four analog line-level stereo inputs, two analog line-level mono inputs, two stereo outputs, and one mono output channel.

The STAC9752A/9753A include digital output capability for support of modern PC systems with an output that supports the SPDIF format.

The STAC9752A/9753A are standard 2-channel stereo CODEC. With TSI's headphone drive capability, headphones can be driven without an external amplifier.

The STAC9700/21/44/56/08/84/50/66 may be used as a secondary or tertiary CODEC, with the STAC9752A/9753A as the primary, in a multiple CODEC configuration conforming to the AC'97 Rev. 2.3 specification. This configuration can provide the true six-channel, AC-3 playback required for DVD applications.



## STAC9752A/9753A

### AC'97 2.3 CODECs with Stereo Microphone & Universal Jack

---

The STAC9752A/9753A communicates via the five wire AC-Link to any digital component of AC'97, providing flexibility in the audio system design.

Packaged in an AC'97 compliant 48-pin LQFP or in the 32-pad/pin QFN, the STAC9752A/9753A can be placed on motherboards, daughter boards, PCI, AMR, CNR, MDC or ACR cards.

The STAC9752A/9753A block diagram is illustrated in Figure 1.

The STAC9752A/9753A provides variable sample rate Digital-to-Analog (DA) and Analog-to-Digital (AD) conversion, mixing, and analog processing. Supported audio sample rates include 48 KHz, 44.1 KHz, 32 KHz, 22.05 KHz, 16 KHz, 11.025 KHz, and 8 KHz; additional rates are supported in the STAC9752A/9753A soft audio drivers. All ADC's and DAC's operate at 20-bit resolution.

Two 20-Bit DACs convert the digital stereo PCM\_OUT content to audio. The MIXER block combines the PCM\_OUT with any analog sources to drive the LINE\_OUT and HP\_OUT outputs. The MONO\_OUT delivers either mic only, or a mono mix of sources from the MIXER. The stereo, variable-sample-rate, 20-bit ADCs provide record capability for any mix of mono or stereo sources, and deliver a digital stereo PCM-in signal back to the AC-Link. The microphone input in mono mode and the mono mix input can be recorded simultaneously, thus allowing for an all digital output in support of the digital-ready initiative. For a digital-ready record path, the microphone is connected to the left channel ADC while the mono output of the stereo mixer is connected to right channel ADC.

The STAC9752A/9753A includes full Stereo Microphone Pre-Amp support and can be used with the 10, 20 and 30dB Microphone Boost options. This integration allows for additional cost savings and options.

The STAC9752A/9753A also includes TSI's Universal Jacks™ functionality for jack interchangeability. The STAC9752A/9753A includes internal jack sensing using proprietary current- and impedance-sensing techniques. The impedance load on any of the inputs or outputs, including the Headphone and Line Outputs, can be detected. This enables jack sensing on the Headphone and Line\_Out. The STAC9752A/9753A jack sense can detect the presence of devices on the Headphone and Line Outputs and on both Mic inputs.

The STAC9752A/9753A implementation of jack sense uses the Extended Paging Registers defined by the AC'97 2.3 Specification. This allows for additional registry space to hold the identification information about the CODEC, the jack sensing details and results, and the external surroundings of the CODEC. The information within the Extended Paging Registers will allow for the automatic configuration of the audio subsystem without end-user intervention. For example, the BIOS can populate the Extended Paging Registers with valuable information for both the audio driver and the operating system such as gain and attenuation stages, input population and input phase. With this input information, the TSI driver will automatically provide to the Volume Control Panel only the volume sliders that are implemented in the system, thus improving the end-user's experience with the PC.

The information in the Extended Paging Registers will also allow for automatic configuration of microphone inputs, the ability to switch between SPDIF and analog outputs, the routing of the master volume slider to the proper physical output, and SoftEQ configurations. The fully parametric TSI SoftEQ can be initiated upon jack insertion and sensed impedance levels.

The STAC9752A/9753A also offers two styles of PC BEEP, Analog and Digital. The digital PC BEEP is a new feature added to the AC'97 Specification Rev 2.3.

The STAC9752A/9753A is designed primarily to support stereo (2-speaker) audio. True AC-3 playback can be achieved for 6-speaker applications by taking advantage of the multi-CODEC option

# STAC9752A/9753A

## AC'97 2.3 CODECs with Stereo Microphone & Universal Jack

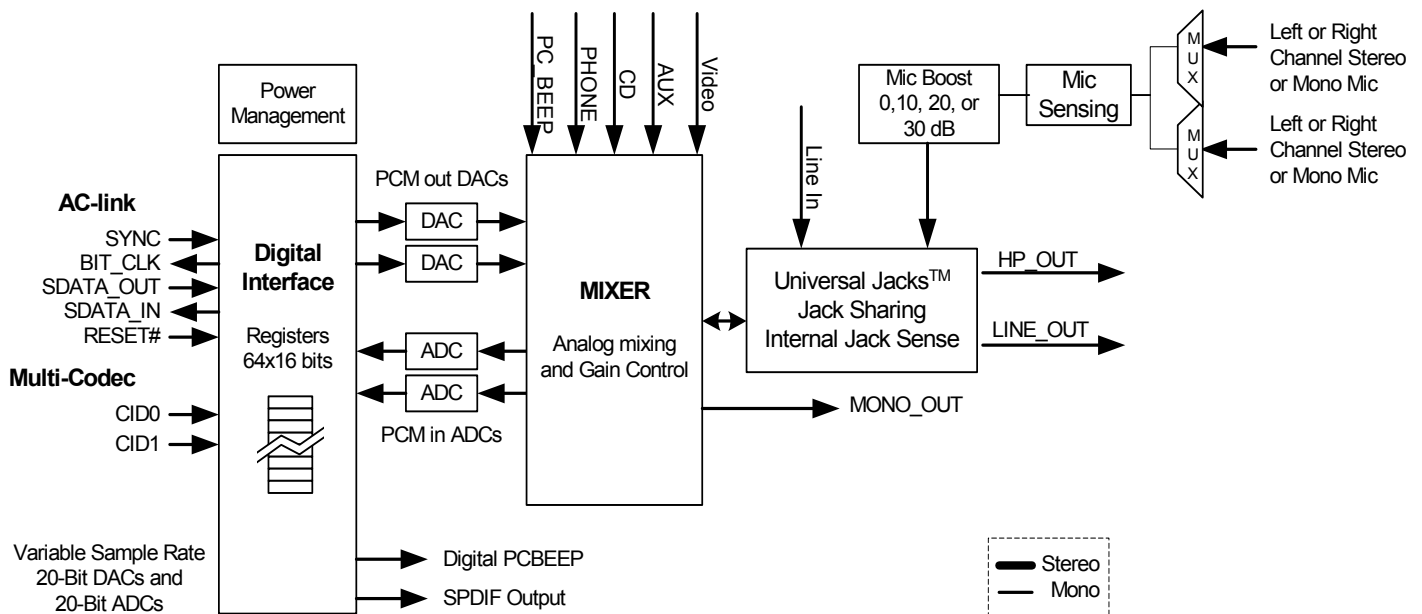
available in the AC'97 architecture and supported by the STAC9752A/9753A. Additionally, the STAC9752A/9753A provides for a stereo enhancement feature, TSI Surround 3D (SS3D). SS3D provides the listener with several options for improved speaker separation beyond the normal 2- or 4-speaker arrangements.

The STAC9752A/9753A can be SoundBlaster® and Windows Sound System® compatible when used with TSI's WDM driver for Windows 98/2K/ME/XP or with Intel/Microsoft driver included with Windows 2K/ME/XP.

SoundBlaster is a registered trademark of Creative Labs.  
Windows is a registered trademark of Microsoft Corporation.

### 1.3. STAC9752A/9753A Block Diagram

Figure 1. STAC9752A/9753A Block Diagram



### 1.4. Key Specifications

- Analog LINE\_OUT SNR: 94 dB
- Digital DAC SNR: 92 dB
- Digital ADC SNR: 85 dB
- Full-scale Total Harmonic Distortion: 0.002%
- Crosstalk between Input Channels: -70 dB
- Spurious Tone Rejection: 100 dB
- Stereo Microphone Input

### 1.5. Related Materials

- Product Brief
- Reference Designs for MB, AMR, CNR, and ACR applications
- Audio Precision Performance Plots

## **1.6. Additional Support**

Additional product and company information can be obtained by going to the TSI web site at: [www.TSI.com](http://www.TSI.com)

## 2. CHARACTERISTICS AND SPECIFICATIONS

### 2.1. Electrical Specifications

#### 2.1.1. Absolute Maximum Ratings

Stresses above the ratings listed below can cause permanent damage to the STAC9752A/9753A. These ratings, which are standard values for TSI commercially rated parts, are stress ratings only. Functional operation of the device at these or any other conditions above those indicated in the operational sections of the specifications is not implied. Exposure to absolute maximum rating conditions for extended periods can affect product reliability. Electrical parameters are guaranteed only over the recommended operating temperature range.

Item	Pin	Maximum Rating
Analog maximum supply voltage	AVdd	6 Volts
Digital maximum supply voltage	DVdd	5.5 Volts
VREFOUT output current		±5 mA
Voltage on any pin relative to ground		Vss - 0.3 V to Vdd + 0.3 V
Operating temperature		0°C to +70°C
Storage temperature		-55 °C to +125 °C
Soldering temperature		260 °C for 10 seconds * Soldering temperature information for all available packages begins on page 96.

#### 2.1.2. Recommended Operation Conditions

Parameter		Min.	Typ.	Max.	Units
Power Supply Voltage	Digital - 3.3 V	3.135	3.3	3.465	V
	Analog - 5 V	4.75	5	5.25	V
	Analog - 3.3 V	3.135	3.3	3.465	V
Ambient Operating Temperature		0		+70	°C
Case Temperature	T <sub>case</sub> (48-LQFP)			+90	°C

**ESD:** The STAC9752A/9753A is an ESD (electrostatic discharge) sensitive device. The human body and test equipment can accumulate and discharge electrostatic charges up to 4000 Volts without detection. Even though the STAC9752A/9753A implements internal ESD protection circuitry, proper ESD precautions should be followed to avoid damaging the functionality or performance.

**2.1.3. Power Consumption**

Parameter	Min	Typ	Max	Unit
<b>Digital Supply Current</b>				
+ 3.3 V Digital	-	35	-	mA
<b>Analog Supply Current</b>				
+ 5 V Analog	-	80	-	mA
+ 3.3 V Analog	-	70	-	mA
<b>Power Down Status</b>				
PR0 Supply Current	-	TBD	-	mA
PR1 Supply Current	-	TBD	-	mA
PR2 Supply Current	-	TBD	-	mA
PR3 Supply Current	-	TBD	-	mA
PR4 Supply Current	-	TBD	-	mA
PR5 Supply Current	-	TBD	-	mA
PR6 Supply Current	-	TBD	-	mA

**2.1.4. AC-Link Static Digital Specifications**

(T<sub>ambient</sub> = 25 °C, DVdd = 3.3 V ± 5%, AVss = DVss = 0 V; 50 pF external load)

Parameter	Symbol	Min	Typ	Max	Unit
Input Voltage Range	V <sub>in</sub>	-0.30	-	DVdd + 0.30	V
Low level input range	V <sub>il</sub>	-	-	0.35 x DVdd	V
High level input voltage	V <sub>ih</sub>	0.65 x DVdd	-	-	V
High level output voltage	V <sub>oh</sub>	0.90 x DVdd	-	-	V
Low level output voltage	V <sub>ol</sub>	-	-	0.1 x DVdd	V
Input Leakage Current (AC-Link inputs)	-	-10	-	10	μA
Output Leakage Current (Hi-Z AC-Link outputs)	-	-10	-	10	μA
Output buffer drive current	-	-	4	-	mA

## STAC9752A/9753A

### AC'97 2.3 CODECs with Stereo Microphone & Universal Jack

#### 2.1.5. STAC9752A Analog Performance Characteristics

( $T_{\text{ambient}} = 25\text{ }^{\circ}\text{C}$ ,  $AV_{\text{dd}} = 5.0\text{ V} \pm 5\%$ ,  $DV_{\text{dd}} = 3.3\text{ V} \pm 5\%$ ,  $AV_{\text{ss}} = DV_{\text{ss}} = 0\text{ V}$ ; 1 KHz input sine wave; Sample Frequency = 48 KHz;  $0\text{ dB} = 1\text{ V}_{\text{rms}}$ , 10 KW / 50 pF load, Testbench Characterization BW: 20 Hz – 20 KHz, 0dB settings on all gain stages)

Parameter	Min	Typ	Max	Unit
<b>Full Scale Input Voltage:</b>				
All Analog Inputs except Mic	-	1.0	-	Vrms
Mic Inputs (Note 1)	-	0.03	-	Vrms
<b>Full Scale Output:</b>				
Line Output	-	1.0	-	Vrms
PCM (DAC) to LINE_OUT	-	1.0	-	Vrms
MONO_OUT	-	1.0	-	Vrms
HEADPHONE_OUT (32 $\Omega$ load) (peak)	-	50	-	mW
<b>Analog S/N: (Note 2)</b>				
CD to LINE_OUT	-	94	-	dB
Other to LINE_OUT	-	94	-	dB
D/A to LINE_OUT	-	92	-	dB
LINE_IN to A/D with High pass filter enabled	-	85	-	dB
Analog Frequency Response (Note 3)	20	-	20,000	Hz
<b>Total Harmonic Distortion: (Note 4)</b>				
CD to LINE_OUT	-	95	-	dB
Other to LINE_OUT	-	95	-	dB
D/A to LINE_OUT (full scale)	-	84	-	dB
LINE_IN to A/D with High pass filter enabled	84	-	-	dB
HEADPHONE_OUT	74	80	-	dB
A/D & D/A Digital Filter Pass Band (Note 5)	20	-	19,200	Hz
A/D & D/A Digital Filter Transition Band	19,200	-	28,800	Hz
A/D & D/A Digital Filter Stop Band	28,800	-	-	Hz
A/D & D/A Digital Filter Stop Band Rejection (Note 6)	100	-	-	dB
DAC Out-of-Band Rejection (Note 7)	55	-	-	dB
Group Delay (48 KHz sample rate)	-	-	1	ms
Any Analog Input to LINE_OUT Crosstalk (10 KHz Signal Frequency)	70	-	-	dB
Any Analog Input to LINE_OUT Crosstalk (1 KHz Signal Frequency)	-	100	-	dB
Spurious Tone Rejection	-	100	-	dB
Attenuation, Gain Step Size	-	1.5	-	dB
Input Impedance (Note 8)	-	50	-	K $\Omega$
Input Capacitance	-	15	-	pF
VREFout	-	0.5 x AVdd	-	V
Interchannel Gain Mismatch ADC	-	-	0.5	dB
Interchannel Gain Mismatch DAC	-	-	0.5	dB

- Note:**
1. With +30 dB Boost on, 1.0 Vrms with Boost off
  2. Ratio of Full Scale signal to idle channel noise output is measured "A weighted" over a 20 Hz to a 20 KHz bandwidth. (AES17-1991 Idle Channel Noise or EIAJ CP-307 Signal-to-noise Ratio).
  3.  $\pm 1\text{ dB}$  limits for Line Output & 0dB gain
  4. Ratio of Full Scale signal to THD+N output with -3dB signal, measured "A weighted" over a 20 KHz BW, 48 KHz Sample Frequency
  5.  $\pm 0.25\text{ dB}$  limits
  6. Stop Band rejection determines filter requirements. Out-of-Band rejection determines audible noise.
  7. The integrated Out-of-Band noise generated by the DAC process, during normal PCM audio playback, over a bandwidth 28.8 to 100 KHz, with respect to a 1 Vrms DAC output.
  8. For all inputs except PC BEEP.

# STAC9752A/9753A

## AC'97 2.3 CODECs with Stereo Microphone & Universal Jack

### 2.1.6. STAC9753A Analog Performance Characteristics

( $T_{\text{ambient}} = 25\text{ }^{\circ}\text{C}$ ,  $AV_{\text{dd}} = 5.0\text{ V} \pm 5\%$ ,  $DV_{\text{dd}} = 3.3\text{ V} \pm 5\%$ ,  $AV_{\text{ss}} = DV_{\text{ss}} = 0\text{ V}$ ; 1 KHz input sine wave; Sample Frequency = 48 KHz;  $0\text{dB} = 1\text{ V}_{\text{rms}}$ , 10 KW / 50 pF load, Testbench Characterization BW: 20 Hz – 20 KHz, 0dB settings on all gain stages)

Parameter	Min	Typ	Max	Unit
<b>Full Scale Input Voltage:</b>				
All Analog Inputs except Mic	-	1.0	-	Vrms
Mic Inputs (Note 1)	-	0.03	-	Vrms
<b>Full Scale Output:</b>				
Line Output	-	0.5	-	Vrms
PCM (DAC) to LINE_OUT		0.5		Vrms
MONO_OUT	-	0.5	-	Vrms
HEADPHONE_OUT (32 $\Omega$ load) (peak)	-	12.5	-	mW
<b>Analog S/N: (Note 2)</b>				
CD to LINE_OUT	-	93	-	dB
Other to LINE_OUT	-	93	-	dB
D/A to LINE_OUT	-	91	-	dB
LINE_IN to A/D with High pass filter enabled	-	85	-	dB
Analog Frequency Response (Note 3)	20	-	20,000	Hz
<b>Total Harmonic Distortion: (Note 4)</b>				
CD to LINE_OUT	-	93	-	dB
Other to LINE_OUT	-	93	-	dB
D/A to LINE_OUT (full scale)	-	84	-	dB
LINE_IN to A/D with High pass filter enabled	-	84	-	dB
HEADPHONE_OUT	74	80	-	dB
A/D & D/A Digital Filter Pass Band (Note 5)	20	-	19,200	Hz
A/D & D/A Digital Filter Transition Band	19,200	-	28,800	Hz
A/D & D/A Digital Filter Stop Band	28,800	-	-	Hz
A/D & D/A Digital Filter Stop Band Rejection (Note 6)	100	-	-	dB
DAC Out-of-Band Rejection (Note 7)	55	-	-	dB
Group Delay (48 KHz sample rate)	-	-	1	ms
Any Analog Input to LINE_OUT Crosstalk (10 KHz Signal Frequency)	70	-	-	dB
Any Analog Input to LINE_OUT Crosstalk (1 KHz Signal Frequency)	-	100	-	dB
Spurious Tone Rejection	-	100	-	dB
Attenuation, Gain Step Size	-	1.5	-	dB
Input Impedance (Note 8)	-	50	-	K $\Omega$
Input Capacitance	-	15	-	pF
VREFout	-	0.5 x AVdd	-	V
Interchannel Gain Mismatch ADC	-	-	0.5	dB
Interchannel Gain Mismatch DAC	-	-	0.5	dB
Gain Drift	-	100	-	ppm/ $^{\circ}\text{C}$

## STAC9752A/9753A

### AC'97 2.3 CODECs with Stereo Microphone & Universal Jack

---

- Note:**
1. With +30 dB Boost on, 1.0Vrms with Boost off
  2. Ratio of Full Scale signal to idle channel noise output is measured "A weighted" over a 20 Hz to a 20 KHz bandwidth. (AES17-1991 Idle Channel Noise or EIAJ CP-307 Signal-to-noise Ratio).0 dB gain, 20 KHz BW, 48 KHz Sample Frequency± 1 dB limits
  3. ± 1dB limits for Line Output & 0 dB gain
  4. Ratio of Full Scale signal to THD+N output with -3dB signal, measured "A weighted" over a,20 KHz BW, 48 KHz Sample Frequency
  5. ± 0.25dB limits
  6. Stop Band rejection determines filter requirements. Out-of-Band rejection determines audible noise.
  7. The integrated Out-of-Band noise generated by the DAC process, during normal PCM audio playback, over a bandwidth 28.8 to 100 KHz, with respect to a 1 Vrms DAC output.
  8. For all inputs except PC BEEP.

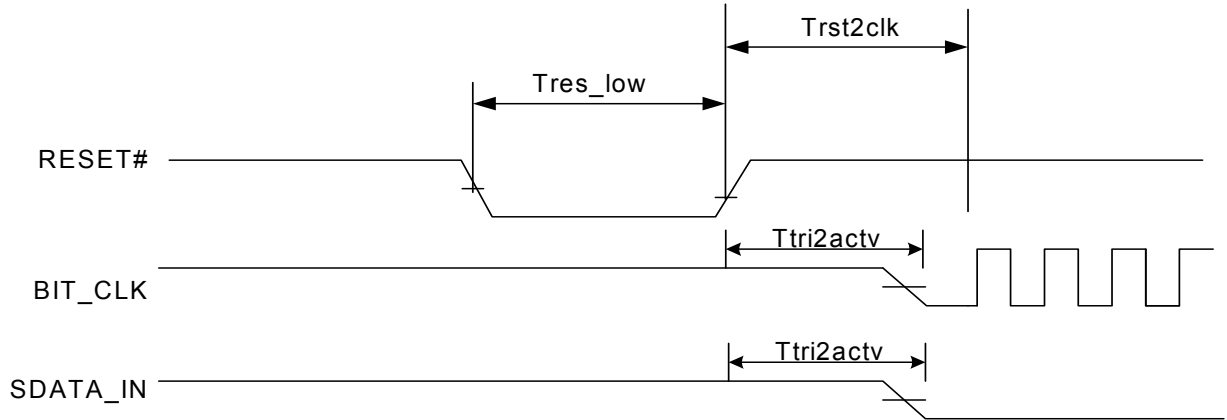


2.2. AC Timing Characteristics

( $T_{ambient} = 25\text{ }^{\circ}\text{C}$ ,  $AV_{dd} = 3.3\text{ V}$  or  $5\text{ V} \pm 5\%$ ,  $DV_{dd} = 3.3\text{ V} \pm 5\%$ ,  $AV_{ss} = DV_{ss} = 0\text{ V}$ ; 75 pF external load for BIT\_CLK and 60 pF external load for SDATA\_IN)

2.2.1. Cold Reset

Figure 2. Cold Reset Timing

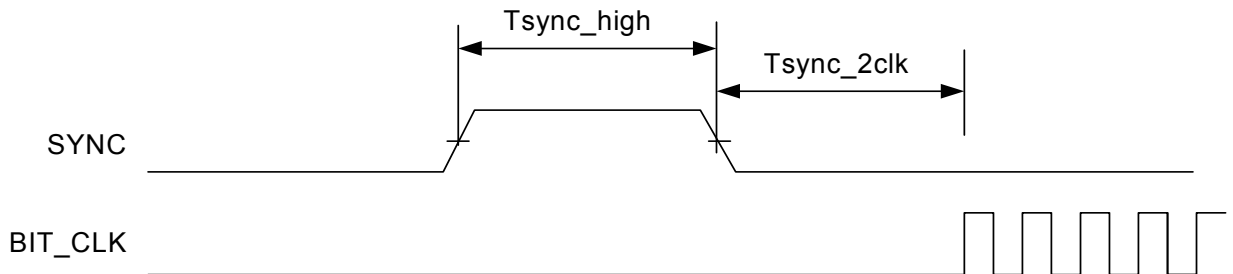


Parameter	Symbol	Min	Typ	Max	Units
RESET# active low pulse width	Tres_low	1.0	-	-	$\mu\text{s}$
RESET# inactive to SDATA_IN or BIT_CLK active delay	Ttri2actv	-	-	25	ns
RESET# inactive to BIT_CLK startup delay	Trst2clk	.01628	-	400	$\mu\text{s}$
BIT_CLK active to RESET# asserted (Not shown in diagram)	Tclk2rst	0.416	-	-	$\mu\text{s}$

Note: BIT\_CLK and SDATA\_IN are in a high impedance state during reset.

2.2.2. Warm Reset

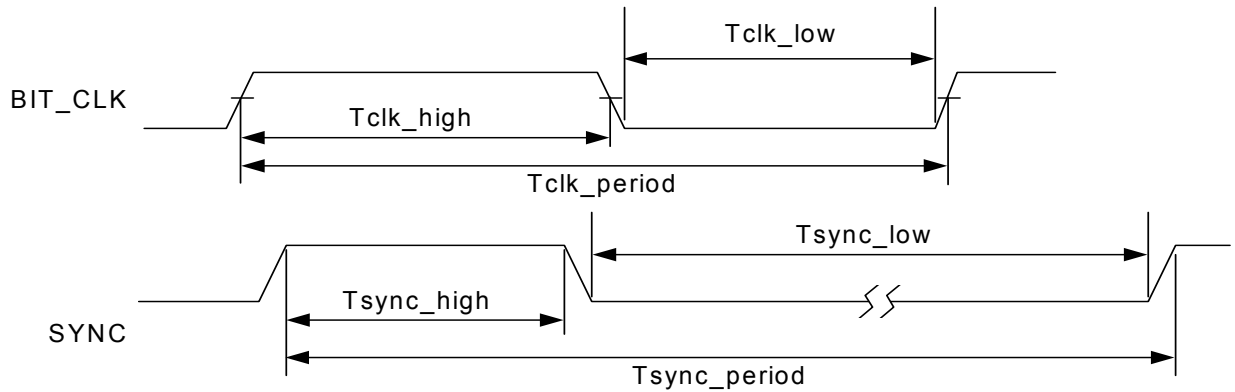
Figure 3. Warm Reset Timing



Parameter	Symbol	Min	Typ	Max	Units
SYNC active high pulse width	Tsync_high	1.0	1.3	-	$\mu\text{s}$
SYNC inactive to BIT_CLK startup delay	Tsync2clk	162.8	-	-	ns

2.2.3. Clocks

Figure 4. Clocks Timing



Parameter	Symbol	Min	Typ	Max	Units
BIT_CLK frequency		-	12.288	-	MHz
BIT_CLK period	Tclk_period	-	81.4	-	ns
BIT_CLK output jitter		-	750	-	ps
BLT_CLK high pulse width (Note 1)	Tclk_high	36	40.7	45	ns
BIT_CLK low pulse width (Note 1)	Tclk_low	36	40.7	45	ns
SYNC frequency		-	48.0	-	KHz
SYNC period	Tsync_period	-	20.8	-	μs
SYNC high pulse width	Tsync_high	-	1.3	-	μs
SYNC low pulse width	Tsync_low	-	19.5	-	μs

Note: 1. Worst case duty cycle restricted to 45/55.

2.2.4. STAC9752A/9753A Crystal Elimination Circuit and Clock Frequencies

The STAC9752A/9753A supports several clock frequency inputs as described in the following table. In general, when a 24.576 MHz crystal is not used, the XTALOUT pin should be tied to ground. This short to ground configures the part into an alternate clock mode and enables an on board PLL.

CODEC Modes:

P = The STAC9752A/9753A as a Primary CODEC

S = The STAC9752A/9753A as a Secondary CODEC.

Table 1. Clock mode configuration

XTL_OUT Pin Config	CID1 Pin Config	CID0 pin config	Clock Source Input	CODEC Mode	CODEC ID
XTAL	float	float	24.576 MHz xtal	P	0
XTAL or open	float	pulldown	12.288 MHz bit clk	S	1
XTAL or open	pulldown	float	12.288 MHz bit clk	S	2
XTAL or open	pulldown	pulldown	12.288 MHz bit clk	S	3
short to ground	float	float	14.31818 MHz source	P	0
short to ground	float	pulldown	27 MHz source	P	0

Table 1. Clock mode configuration

XTL_OUT Pin Config	CID1 Pin Config	CID0 pin config	Clock Source Input	CODEC Mode	CODEC ID
short to ground	pulldown	float	48 MHz source	P	0
short to ground	pulldown	pulldown	24.576 MHz source	P	0

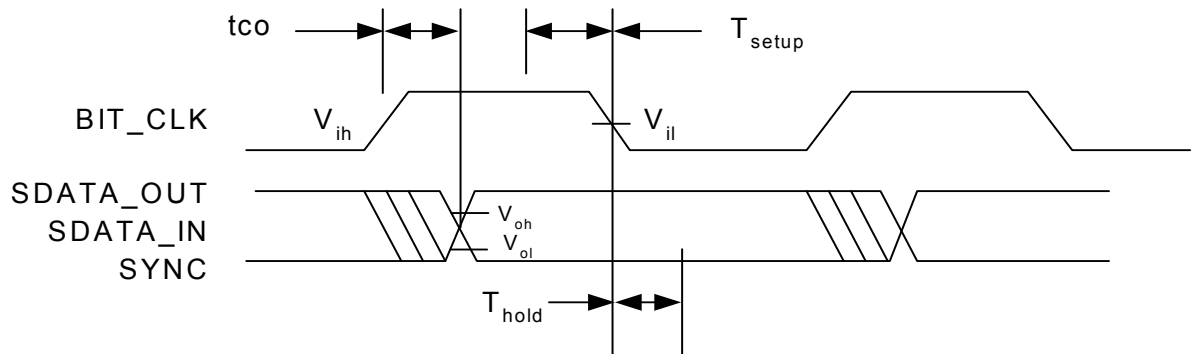
Table 2. Common Clocks and Sources

Clock Source	Clock Frequency
XTAL	24.576 MHz
BIT_CLK	12.288 MHz
VGA	14.31818 MHz
Digital Video	27 MHz
USB	48 MHz

2.2.5. Data Setup and Hold

(50pF external load)

Figure 5. Data Setup and Hold Timing



Parameter	Symbol	Min	Typ	Max	Units
Setup to falling edge of BIT_CLK	Tsetup	10	-	-	ns
Hold from falling edge of BIT_CLK	Thold	10	-	-	ns
Output Valid Data from rising edge of BIT_CLK	tco	-	-	15	ns

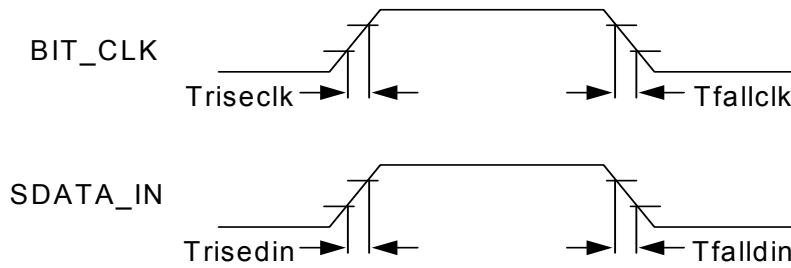
Note: Setup and hold time parameters for SDATA\_IN are with respect to the AC'97 controller.

2.2.6. Signal Rise and Fall Times

(BIT\_CLK: 75pF external load; from 10% to 90% of Vdd)

(SDATA\_IN: 60pF external load; from 10% to 90% of Vdd)

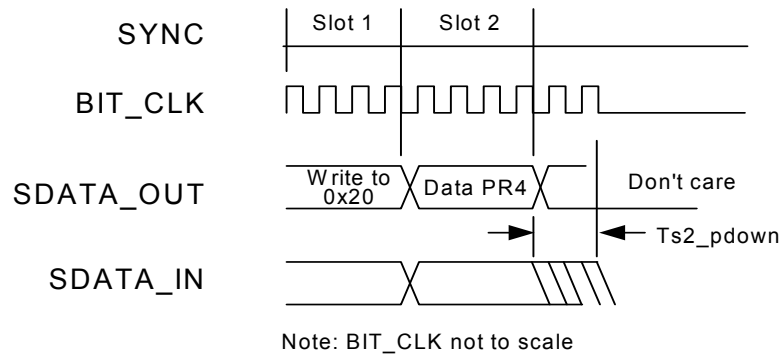
Figure 6. Signal Rise and Fall Times Timing



Parameter	Symbol	Min	Typ	Max	Units
BIT_CLK rise time	Triseclk	-	-	6	ns
BIT_CLK fall time	Tfallclk	-	-	6	ns
SDATA_IN rise time	Trisedin	-	-	6	ns
SDATA_IN fall time	Tfalldin	-	-	6	ns

2.2.7. AC-Link Low Power Mode Timing

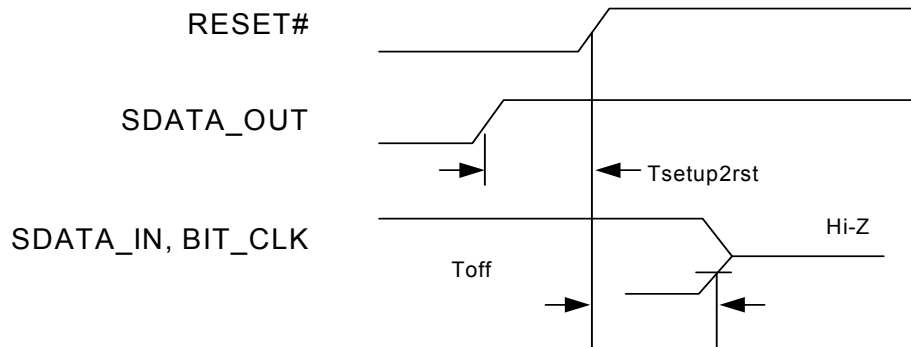
Figure 7. AC-Link Low Power Mode Timing



Parameter	Symbol	Min	Typ	Max	Units
End of Slot 2 to BIT_CLK, SDATA_IN low	Ts2_pdown	-	-	1.0	μs

2.2.8. ATE Test Mode

Figure 8. ATE Test Mode Timing



Parameter	Symbol	Min	Typ	Max	Units
-----------	--------	-----	-----	-----	-------

## STAC9752A/9753A

### AC'97 2.3 CODECs with Stereo Microphone & Universal Jack

Setup to trailing edge of RESET# (also applies to SYNC)	Tsetup2rst	15.0	-	-	ns
Rising edge of RESET# to Hi-Z delay	Toff	-	-	25.0	ns

- Note:**
1. All AC-Link signals are normally low through the trailing edge of RESET#. Bringing SDATA\_OUT high for the trailing edge of RESET# causes the STAC9752A/9753A AC-Link outputs to go high impedance, which is suitable for ATE in-circuit testing.
  2. Once the test mode has been entered, the STAC9752A/9753A must be issued another RESET# with all AC-Link signals low to return to the normal operating mode.
  3. # denotes active low.

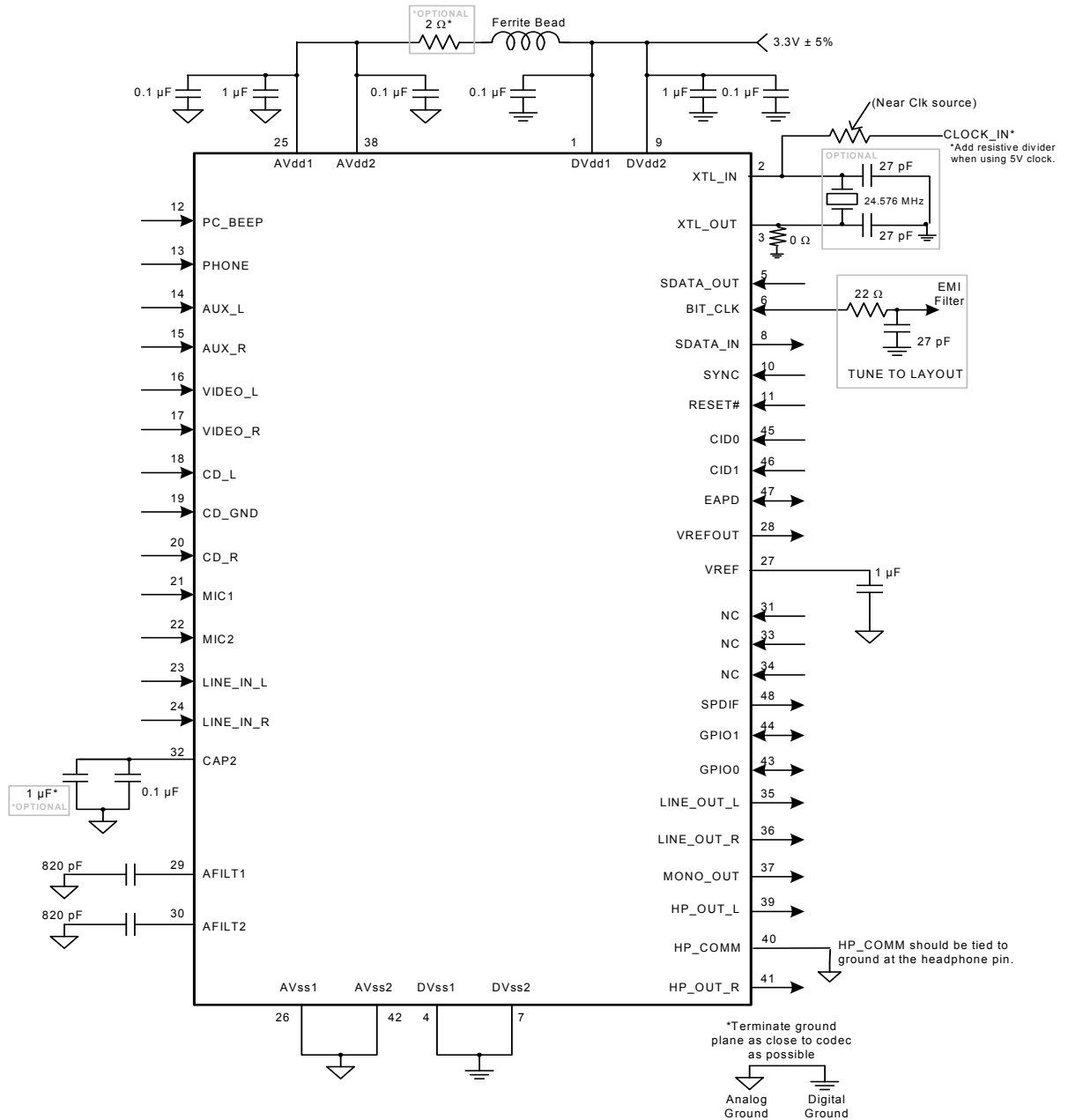
# STAC9752A/9753A

## AC'97 2.3 CODECs with Stereo Microphone & Universal Jack

### 3. TYPICAL CONNECTION AND POWER DIAGRAMS

#### 3.1. STAC9752A/9753A Typical Connection Diagram for 48-pin LQFP

Figure 9. STAC9752A/9753A Typical Connection Diagram 48-pin LQFP



**NOTE: PIN 48: TO DISABLE SPDIF, USE AN 1 KW - 10 KW EXTERNAL PULLUP RESISTOR.**

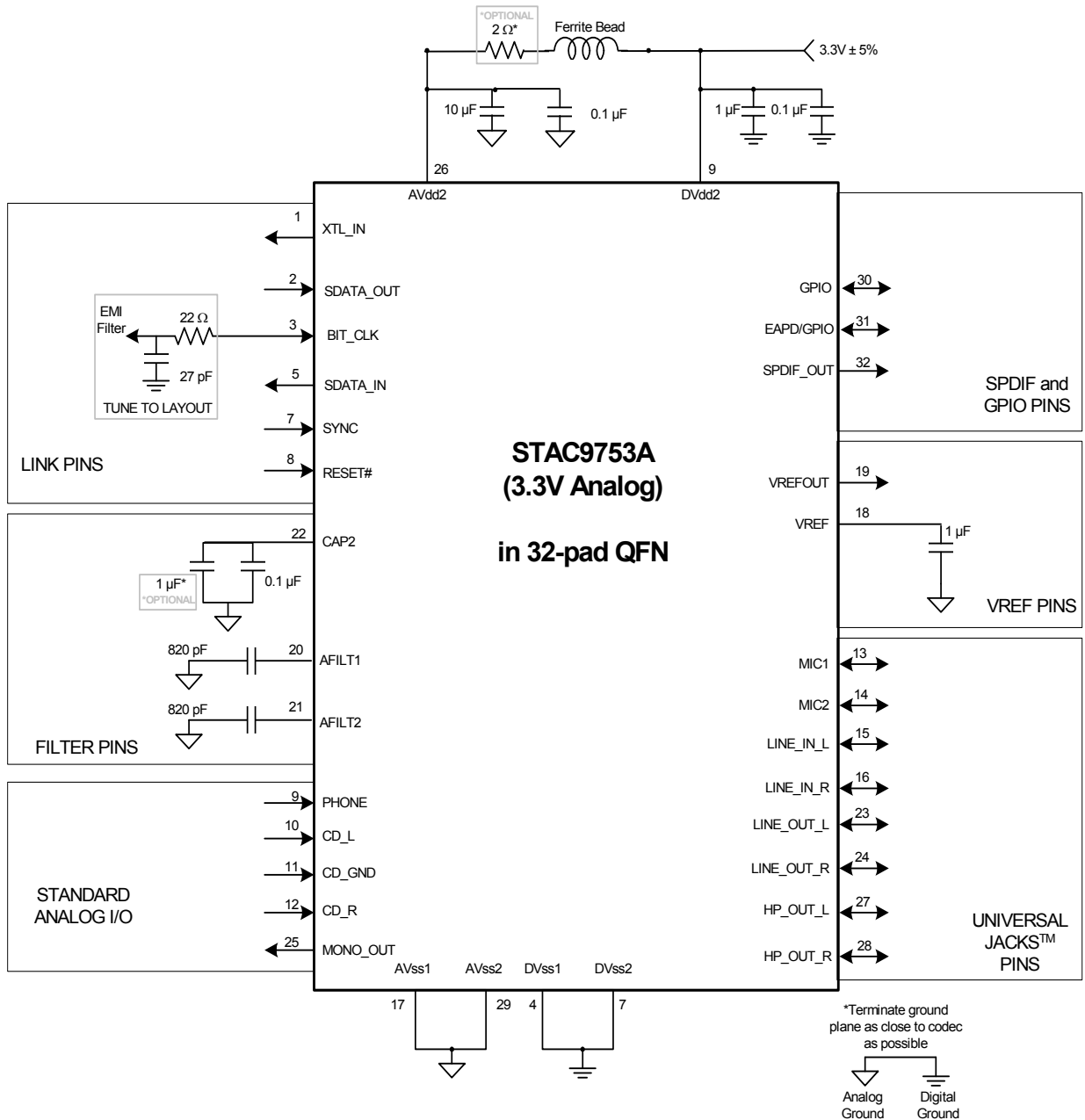
**Note:** The CD\_GND signal is an AC signal return for the two CD input channels. It is normally biased at about 2.5V. The name of the pin in the AC'97 specification is CD\_GND, and this has confused many designers. It should not have any DC path to GND. Connecting the CD\_GND signal directly to ground will change the internal bias of the entire CODEC, and cause significant distortion. If there is no analog CD input, then this pin can be No-Connect.

# STAC9752A/9753A

## AC'97 2.3 CODECs with Stereo Microphone & Universal Jack

### 3.2. STAC9752A/9753A Typical Connection Diagram for 32-pad QFN

Figure 10. STAC9752A/9753A Typical Connection Diagram 32-pad QFN



**NOTE: PIN 48: TO DISABLE SPDIF, USE AN 1 KW - 10 KW EXTERNAL PULLUP RESISTOR.**

*Note: The CD\_GND signal is an AC signal return for the two CD input channels. It is normally biased at about 2.5V. The name of the pin in the AC'97 specification is CD\_GND, and this has confused many designers. It should not have any DC path to GND. Connecting the CD\_GND signal directly to ground will change the internal bias of the entire CODEC, and cause bad distortion. If there is no analog CD input, then this pin can be No-Connect.*

### **3.3. Split Independent Power Supply Operation**

In PC applications, one power supply input to the STAC9752A/9753A may be derived from a supply regulator and the other directly from the PCI power supply bus. When power is applied to the PC, the regulated supply input to the IC will be applied some time delay after the PCI power supply. Without proper on-chip partitioning of the analog and digital circuitry, some manufacturer's CODECs would be subject to on-chip SCR type latch-up.

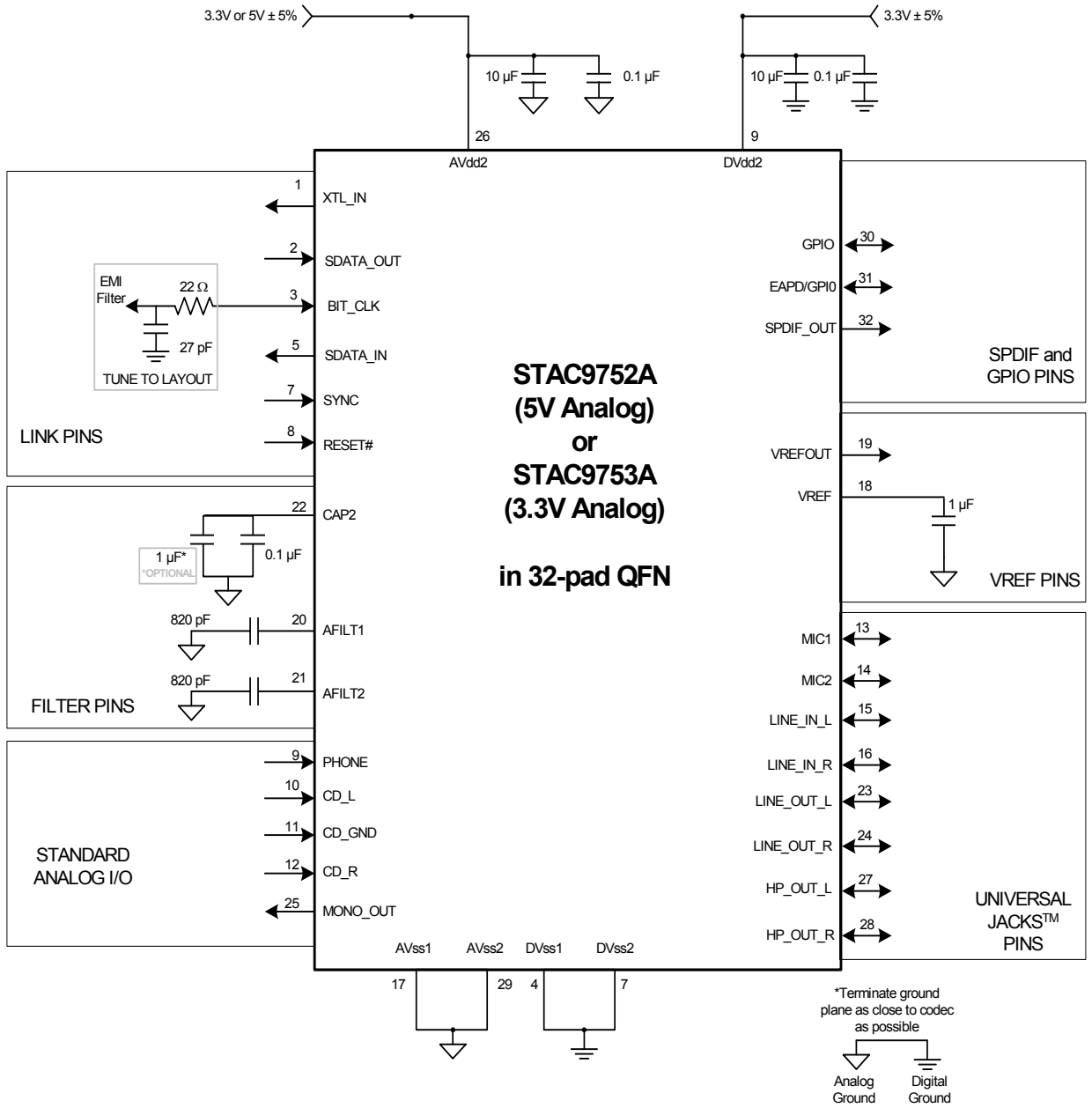
TSI's STAC9752A/9753A specifically allows power-up sequencing delays between the analog (AVddx) and digital (VDddx) supply pins. These two power supplies can power-up independently and at different rates with no adverse effects to the CODEC. The IC is designed with independent analog and digital circuitry that prevents on-chip SCR type latch-up.

However, the STAC9752A/9753A is not designed to operate for extended periods with only the analog supply active.



### 3.4. Split Independent Power Supply Operation for the 32-pad QFP Package

Figure 11. Split Connection Diagram 32-pad QFN



## 4. CONTROLLER, CODEC, AND AC-LINK

This section describes the physical and high-level functional aspects of the AC'97 Controller to CODEC interface, referred to as the AC-Link.

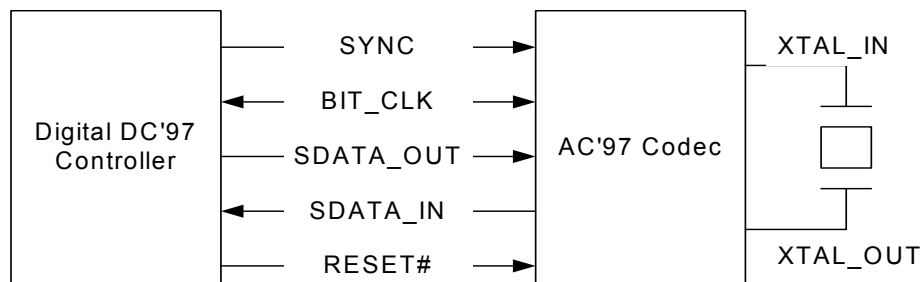
### 4.1. AC-Link Physical interface

The STAC9752A/9753A communicates with its companion Digital Controller via the AC-Link digital serial interface. AC-Link has been defined to support connections between a single Controller and up to four CODECs. All digital audio, modem and handset data streams, as well as all control (command/status) information are communicated over this serial interconnect, which consists of a clock (BIT\_CLK), frame synchronization (SYNC), serial data in (SDATA\_IN), serial data out (SDATA\_OUT), and a reset (RESET#).

### 4.2. Controller to Single CODEC

The simplest and most common AC'97 system configuration is a point-to-point AC-Link connection between Controller and the STAC9752A/9753A, as illustrated in Figure 12.

Figure 12. AC-Link to its Companion Controller



A primary CODEC may act as either a source or a consumer of the BIT\_CLK, depending on the configuration.

While RESET# is asserted, if a clock is present at the BIT\_CLK pin for at least five cycles before RESET# is de-asserted, then the CODEC is a consumer of BIT\_CLK, and must not drive BIT\_CLK when RESET# is de-asserted. The clock is being provided by other than the primary CODEC, for instance by the controller or an independent clock chip. In this case the primary CODEC must act as a consumer of the BIT\_CLK signal as if it were a secondary CODEC.

This clock source detection must be done each time the RESET# line is asserted. In the case of a warm reset, where the clock is halted but RESET# is not asserted, the CODEC must remember the clock source, and not begin generating the clock on the assertion of SYNC if the CODEC had previously determined that it was a consumer of BIT\_CLK.

The STAC9752A/9753A uses the XTAL\_OUT pin (Pin 3) and the CID0 and CID1 pins (Pins 45 & 46) to determine its alternate clock frequencies. See section 2.2.4: page 18 for additional information on Crystal Elimination and for supported clock frequencies.

If, when the RESET# signal has been de-asserted, the CODEC has not detected a signal on BIT\_CLK as defined in the previous paragraph then the AC'97 CODEC derives its clock internally from an externally attached 24.576 MHz crystal or oscillator, or optionally from an external 14.318 MHz oscillator, and drives a buffered 12.288 MHz clock to its digital Controller over AC-Link under the signal name "BIT\_CLK". Clock jitter at the DACs and ADCs is a fundamental impediment to high quality output, and the internally generated clock will provide AC'97 components with a clean

clock that is independent of the physical proximity of AC'97's Digital Controller (henceforth referred to as "the Controller").

If BIT\_CLK begins toggling while the RESET# signal is still asserted, the clock is being provided by other than the primary CODEC, for instance by the controller or by a discrete clock source. In this case, the primary CODEC must act as a consumer of the BIT\_CLK signal as if it were a secondary CODEC.

The beginning of all audio sample packets, or Audio Frames, transferred over AC-Link is synchronized to the rising edge of the SYNC signal. SYNC is driven by the Controller. The Controller generates SYNC by dividing BIT\_CLK by 256 and applying some conditioning to tailor its duty cycle. This yields a 48 KHz SYNC signal whose period defines an audio frame. Data is transitioned on AC-Link on every rising edge of BIT\_CLK, and subsequently sampled by the receiving device on the receiving side of AC-Link on each immediately following falling edge of BIT\_CLK.

### **4.3. Controller to Multiple CODECs**

Several vendor specific methods of supporting multiple CODEC configurations on AC-Link have been implemented or proposed, including CODECs with selective AC-Link pass-through and controllers with duplicate AC-Links.

Potential implementations include:

- 6-channel audio using 3 x 2-channel CODECs
- Separate CODECs for independent audio and modem AFE
- Docking stations, where one CODEC is in the laptop and another is in the dock

This specification defines support for up to four CODECs on the AC-Link. By definition there can be one Primary CODEC (ID 00) and up to three Secondary CODECs (IDs 01, 10, and 11). The CODEC ID functions as a chip select. Secondary devices therefore have completely orthogonal register sets; each is individually accessible and they do not share registers.

Multiple CODEC AC-Link implementations must run off a common BIT\_CLK. They can potentially save Controller pins by sharing SYNC, SDATA\_OUT, and RESET# from the AC'97 Digital Controller. Each device requires its own SDATA\_IN pin back to the Controller. This prevents contention of multiple devices on one serial input line.

Support for multiple CODEC operation necessitates a specially designed Controller. An AC'97 Digital Controller that supports multiple CODEC configurations implements multiple SDATA\_IN inputs, supporting one Primary CODEC and up to three Secondary CODECs.

#### **4.3.1. Primary CODEC Addressing**

Primary AC'97 CODECs respond to register read and write commands directed to CODEC ID 00 (see Section 4 for details of the Primary and Secondary CODEC addressing protocols). Primary devices must be configurable (by hardwiring, strap pin(s), or other methods) as CODEC ID 00, and reflect this in the two-bit CODEC ID field(s) of the Extended Audio and/or Extended Modem ID Register(s).

The Primary CODEC may either drive the BIT\_CLK signal or consume a signal provided by the Digital Controller or other clock generator.

**4.3.2. Secondary CODEC Addressing**

Secondary AC'97 CODECs respond to register read and write commands directed to CODEC IDs 01, 10, or 11. Secondary devices must be configurable (via hardwiring, strap pin(s), or other methods) as CODEC IDs 01, 10, or 11 in the two-bit field(s) of the Extended Audio and/or Extended Modem ID Register(s).

CODECs configured as Secondary must power up with the BIT\_CLK pin configured as an input. Using the provided BIT\_CLK signal is necessary to ensure that everything on the AC-Link is synchronous. BIT\_CLK is the clock source (multiplied by 2 so that the internal rate is 24.576 MHz).

**4.3.3. CODEC ID Strapping**

Audio CODECs in the 48-pin package use pins 45 and 46 (defined as ID0# and ID1#) as strapping (i.e. configuration) pins to configure the CODEC ID. The ID0# and ID1# strapping bits adopt inverted polarity and default to 00 = Primary (via a weak internal pullup) when left floating. This eliminates the need for external resistors for CODECs configured as Primary, and maintains backward compatibility with existing layouts that treat pins 45 and 46 as “no connect” or a capacitor connected to ground. Pulldowns are typically 0-10 KW and connected to Digital (not Analog) Ground.

**Table 3. Recommended CODEC ID strapping**

<b>CID1 (pin 46)</b>	<b>CID0 (pin 45)</b>	<b>Configuration</b>
NC	NC	Primary ID 00
NC	pulldown	Secondary ID 01
pulldown	NC	Secondary ID 10
pulldown	pulldown	Secondary ID 11

**4.4. Clocking for Multiple CODEC Implementations**

To keep the system synchronous, all Primary and Secondary CODEC clocking must be derived from the same clock source, so they are operating on the same time base. In addition, all AC-Link protocol timing must be based on the BIT\_CLK signal, to ensure that everything on the AC-Link will be synchronous.

The following are potential 24.576 MHz clock options available to a Secondary CODEC:

- Using an external 24.576 MHz signal source (external oscillator or AC'97 Digital Controller)
- Using the Primary's crystal out
- Using the Primary's BIT\_CLK output to derive 24.576 MHz

See section 2.2.4: page 18 for clock frequencies supported and configurations.

**4.5. STAC9752A/9753A as a Primary CODEC**

Primary devices are required to support correctly either of the following clocking options:

- 24.576 MHz crystal attached to XTAL\_IN and XTAL\_OUT
- 24.576 MHz external oscillator provided to XTAL\_IN
- 12.288 MHz oscillator provided to the BIT\_CLK input

The Primary device may also optionally support the following clocking option:

- 14.318 MHz external oscillator provided to XTAL\_IN

See section 2.2.4: page 18 for clock frequencies supported and configurations.

**4.5.1. STAC9752A/9753A as a Secondary CODEC**

Secondary devices are required to function correctly using one or more of the following clocking options:

- 24.576 MHz external oscillator provided to XTAL\_IN (synchronous and in phase with Primary 24.576 MHz clock)
- BIT\_CLK input provided by the Primary. In this mode, a clock at XTAL\_IN (Pin 2) is ignored.

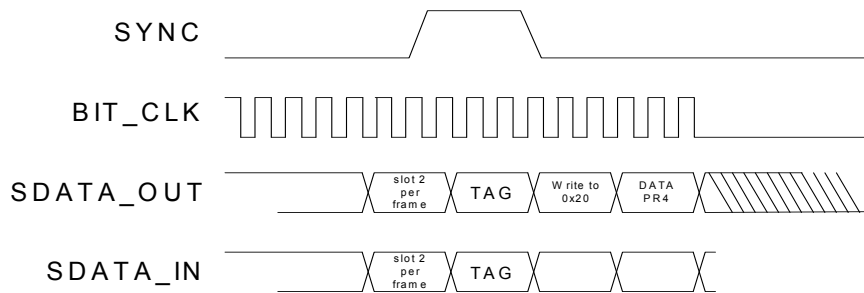
See section 2.2.4: page 18 for clock frequencies supported and configurations.

**4.6. AC-Link Power Management**

**4.6.1. Powering down the AC-Link**

The AC-Link signals can be placed in a low power mode. When AC'97's Powerdown Register (26h) is programmed to the appropriate value, both BIT\_CLK and SDATA\_IN are brought to and held at a logic low voltage level. After signaling a reset to AC'97, the AC'97 Controller should not attempt to play or capture audio data until it has sampled a CODEC Ready indication from AC'97.

**Figure 13. STAC9752A/9753A Powerdown Timing**



Note: BIT\_CLK not to scale

BIT\_CLK and SDATA\_IN are transitioned low immediately following decode of the write to the Powerdown Register (26h) with PR4. When the AC'97 Controller driver is at the point where it is ready to program the AC-Link into its low power mode, slots 1 and 2 are assumed to be the only valid stream in the audio output frame.

After programming the AC'97 device to this low power, halted mode, the AC'97 Controller is required to drive and keep SYNC and SDATA\_OUT low.

Once the AC'97 CODEC has been instructed to halt BIT\_CLK, a special "wake-up" protocol must be used to bring the AC-Link to the active mode since normal audio output and input frames can not be communicated in the absence of BIT\_CLK.

**4.6.2. Waking up the AC-Link**

There are two methods for bringing the AC-Link out of a low power, halted mode. Regardless of the method, it is the AC'97 Controller that performs the wake-up task.

#### 4.6.2.1. *Controller Initiates Wake-up*

AC-Link protocol provides for a “Cold AC'97 Reset”, and a “Warm AC'97 Reset”. The current power-down state would ultimately dictate which form of AC'97 reset is appropriate. Unless a “cold” or “register” reset (a write to the Reset Register) is performed, wherein the AC'97 registers are initialized to their default values, registers are required to keep state during all powerdown modes.

Once powered down, re-activation of the AC-Link via re-assertion of the SYNC signal must not occur for a minimum of four audio frame times following the frame in which the powerdown was triggered. When AC-Link powers up the CODEC indicates readiness via the CODEC Ready bit (input slot 0, bit 15).

#### 4.6.2.2. *CODEC Initiates Wake-up*

The STAC9752A/9753A (running off Vaux) can trigger a wake event (PME#) by transitioning SDATA\_IN from low to high and holding it high until either a warm or cold reset is observed on the AC-Link. This functionality is typically implemented in modem CODECs that detect ring, Caller ID, etc.

Note that when the AC-Link is either programmed to the low power mode or shut off completely, BIT\_CLK may stop if the primary CODEC is supplying the clock, which shuts down the AC-Link clock to the Secondary CODEC<sup>1</sup>. In order for a Secondary CODEC to react to an external event (phone ringing), it must support an independent clocking scheme for any PME# associated logic that must be kept alive when the AC-Link is down. This includes logic to asynchronously drive SDATA\_IN to a logic high-level, which signals a wake request to the AC'97 Digital Controller.

### 4.6.3. **CODEC Reset**

There are three types of AC'97 reset:

- a *cold* reset where all AC'97 logic (most registers included) is initialized to its default state
- a *warm* reset where the contents of the AC'97 register set are left unaltered
- a *register* reset which only initializes the AC'97 registers to their default states

#### 4.6.3.1. *Cold AC'97 Reset*

A cold reset is achieved by asserting RESET# low for the minimum specified time, then subsequently de-asserting RESET# high. BIT\_CLK and SDATA\_IN will be activated, or re-activated as the case may be, and all AC'97 control registers will be initialized to their default power on reset values.

RESET# is an asynchronous AC'97 input.

#### 4.6.3.2. *Warm AC'97 Reset*

A warm AC'97 reset will re-activate the AC-Link without altering the current AC'97 register values. A warm reset is signaled by driving SYNC high for a minimum of 1 ms in the absence of BIT\_CLK.

Within normal audio frames SYNC is a synchronous AC'97 input. However, in the absence of BIT\_CLK, SYNC is treated as an asynchronous input used in the generation of a warm reset to AC'97.

1. Secondary CODEC always configures its BIT\_CLK pin as an input.

## STAC9752A/9753A

### AC'97 2.3 CODECs with Stereo Microphone & Universal Jack

---

AC'97 MUST NOT respond with the activation of BIT\_CLK until SYNC has been sampled low again by AC'97. This will preclude the false detection of a new audio frame.

#### 4.6.3.3. *Register AC'97 Reset*

Most registers in an AC97 device can be restored to their default values by performing a write (any value) to the Reset Register, 00h.

## 5. AC-LINK DIGITAL INTERFACE

### 5.1. Overview

AC-Link is the 5-pin digital serial interface that links AC'97 CODEC to the Controller. The AC-Link protocol is a bi-directional, fixed clock rate, serial digital stream. AC-Link handles multiple input and output PCM audio streams, as well as control register accesses employing a time division multiplexed (TDM) scheme that divides each audio frame into 12 outgoing and 12 incoming data streams, each with 20-bit sample resolution.

The STAC9752A/9753A DACs, ADCs, and SPDIF can be assigned to slots 3&4, 6&9, 7&8 or 10&11.

Figure 14. Bi-directional AC-Link Frame with Slot assignments

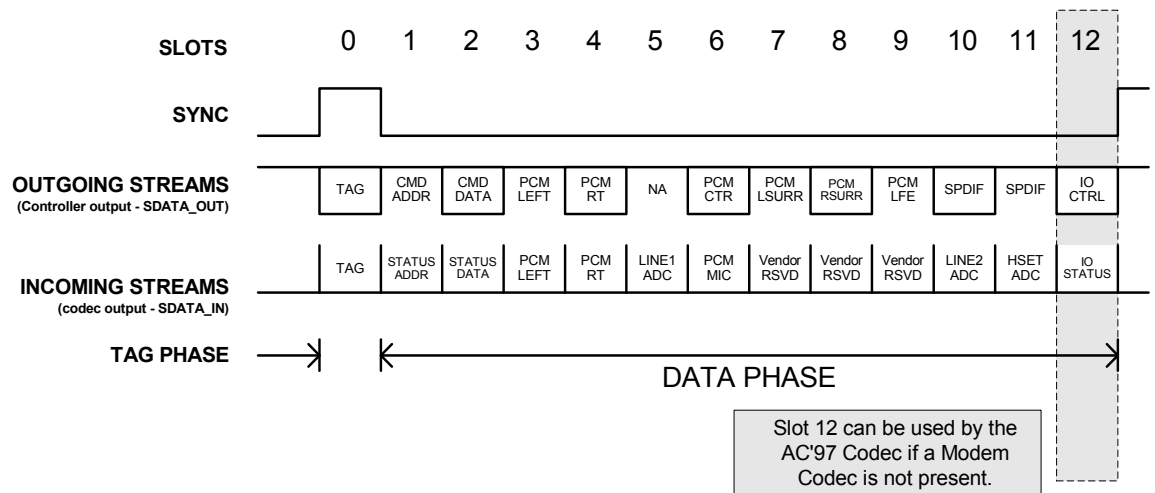


Table 4. AC-Link Output Slots (transmitted from the Controller)

Slot	Name	Description
0	SDATA_OUT TAG	MSBs indicate which slots contain valid data; LSBs convey CODEC ID
1	Control CMD ADDR write port	Read/write command bit plus 7-bit CODEC register address
2	Control DATA write port	16-bit command register write data
3, 4	PCM L&R DAC playback	20-bit PCM data for Left and Right channels
5	Modem Line 1 DAC	16-bit modem data for modem Line 1 output
6, 7, 8, 9	PCM Center, Surround L&R, LFE	20-bit PCM data for Center, Surround L&R, LFE channels
10	Modem Line 2 DAC	16-bit modem data for modem Line 2 output
11	Modem handset DAC	16-bit modem data for modem Handset output
12	Modem IO control	GPIO write port for modem Control
12	CODEC IRQ	Can be used by CODEC if a modem CODEC is not present.
10-11	SPDIF Out	Optional AC-Link bandwidth for SPDIF output
10-12	Double Rate Audio	Optional AC-Link bandwidth for 88.2 or 96 KHZ on L, C, R channels



Table 5. The AC-Link Input Slots (transmitted from the CODEC)

Slot	Name	Description
0	SDATA_IN TAG	MSBs indicate which slots contain valid data
1	STATUS ADDR read port	MSBs echo register address; LSBs indicate which slots request data
2	STATUS DATA read port	16-bit command register read data
3, 4	PCM L&R ADC record	20-bit PCM data from Left and Right inputs
5	Modem Line 1 ADC	16-bit modem data from modem Line1 input
6-11	PCM ADC Record	20-bit PCM data - Alternative Slots for Input
12	GPIO Status	GPIO read port and interrupt status

## 5.2. AC-Link Serial Interface Protocol

The AC'97 Controller signals synchronization of all AC-Link data transactions. The AC'97 CODEC, Controller, or external clock source drives the serial bit clock onto AC-Link, which the AC'97 Controller then qualifies with a synchronization signal to construct audio frames. SYNC, fixed at 48 KHz, is derived by dividing down the serial bit clock (BIT\_CLK). BIT\_CLK, fixed at 12.288 MHz, provides the necessary clocking granularity to support twelve 20-bit outgoing and incoming time slots. AC-Link serial data is transitioned on each rising edge of BIT\_CLK. The receiver of AC-Link data (CODEC for outgoing data and Controller for incoming data) samples each serial bit on the falling edges of BIT\_CLK.

The AC-Link protocol provides for a special 16-bit time slot (Slot 0) wherein each bit conveys a valid tag for its corresponding time slot within the current audio frame. A 1 in a given bit position of slot 0 indicates that the corresponding time slot within the current audio frame has been assigned to a data stream, and contains valid data. If a slot is tagged invalid, it is the responsibility of the source of the data, (AC'97 CODEC for the input stream, AC'97 Controller for the output stream), to stuff all bit positions with 0s during that slot's active time.

SYNC remains high for a total duration of 16 BIT\_CLKs at the beginning of each audio frame. The portion of the audio frame where SYNC is high is defined as the "Tag Phase". The remainder of the audio frame where SYNC is low is defined as the "Data Phase".

Additionally, for power savings, all clock, sync, and data signals can be halted. This requires that an AC'97 CODEC be implemented as a static design to allow its register contents to remain intact when entering a power savings mode.

### 5.2.1. AC-Link Variable Sample Rate Operation

The AC-Link serial interconnect defines a digital data and control pipe between the Controller and the CODEC. The AC-Link supports twelve 20-bit slots at 48 KHz on SDATA\_IN and SDATA\_OUT. The time division multiplexed (TDM) "slot-based" architecture supports a per-slot valid tag infrastructure that the source of each slot's data sets or clears to indicate the validity of the slot data within the current audio frame. This tag infrastructure can be used to support transfers between Controller and CODEC at any sample rate.

### 5.2.2. Variable Sample Rate Signaling Protocol

AC-Link's tag infrastructure imposes FIFO requirements on both sides of the AC-Link. For example, in passing a 44.1 KHz stream across the AC-Link, for every 480 audio output frames that are sent across, 441 of them must contain valid sample data. Does the AC'97 Digital Controller pass all 441 PCM samples followed by 39 invalid slots? Or does the AC'97 Digital Controller evenly interleave

valid and non-valid slots? Each possible method brings with it different FIFO requirements. To achieve interoperability between AC'97 Digital Controllers and CODECs designed by different manufacturers, it is necessary to standardize the scheme for at least one side of the AC-Link so that the FIFO requirements will be common to all designs. The CODEC side of the AC-Link is the focus of this standardization.

The new standard approach calls for the addition of “on demand” slot request flags. These flags are passed from the CODEC to the AC'97 Digital Controller during every audio input frame. Each time the AC'97 Digital Controller sees one or more of the newly-defined slot request flags set active (low) in a given audio input frame, it knows that it must pass along the next PCM sample for the corresponding slot(s) in the AC-Link output frame that immediately follows.

The VRA (Variable Rate Audio) bit in the Extended Audio Status and Control Register must be set to 1 to enable variable sample rate audio operation. Setting the VRA = 1 has two functions:

1. Enables PCM DAC/ADC conversions at variable sample rates by write enabling Sample Rate Registers 2C-34h.
2. Enables the on demand CODEC-to-Controller signaling protocol using SLOTREQ bits that becomes necessary when a DAC's sample rate varies from the 48 KHz AC-Link serial frame rate.

The table below summarizes the behavior:

**Table 6. VRA Behavior**

<b>AC'97 Functionality</b>	<b>VRA = 0</b>	<b>VRA = 1</b>
SLOTREQ bits	always 0 (data each frame)	0 or 1 (data on demand)
sample rate registers	forced to 48 KHz	writable

*Note: If more than one CODEC is being used with the SAME controller DMA engine, VRA should NOT be used.*

For variable sample rate output, the CODEC examines its sample rate control registers, the state of its FIFOs, and the incoming SDATA\_OUT tag bits at the beginning of each AC-Link output frame to determine which SLOTREQ bits to set active (low). SLOTREQ bits asserted during the current AC-Link input frame signal which *active output slots* require data from the AC'97 Digital Controller in the next audio output frame. An *active output slot* is defined as any slot supported by the CODEC that is not in a power-down state. For fixed 48 KHz operation the SLOTREQ bits are always set active (low) and a sample is transferred in each frame.

For variable sample rate input, the tag bit for each input slot indicates whether valid data is present or not. Thus, even in variable sample rate mode, the CODEC is always the master: for SDATA\_IN (CODEC to Controller), the CODEC sets the TAG bit; for SDATA\_OUT (Controller to CODEC), the CODEC sets the SLOTREQ bit and then checks for the TAG bit in the next frame.

The VRM (Variable Rate Mic Audio) bit in the Extended Audio Status and Control Register controls the optional MIC ADC input behavior in the same way that VRA = 1 controls the PCM ADC.

**5.2.2.1. SLOTREQ Behavior and Power Management**

SLOTREQ bits for fixed rate, powered down, and all unsupported Slots should be driven with 0s for maximum compatibility with the original AC '97 Component Specification. When a DAC channel is powered down, it disappears completely from the serial frame: output tag and slot are ignored, and the SLOTREQ bit is absent (forced to zero).

When the Controller wants to power-down a channel, all it needs to do is:

1. Disable source of DAC samples in Controller
2. Set PR bit for DAC channel in Registers 26h, 2Ah, or 3Eh

When it wants to power up the channel, all it needs to do is:

1. Clear PR bit for DAC channel in Registers 26h, 2Ah, or 3Eh
2. Enable source of DAC samples in Controller

### **5.2.3. Primary and Secondary CODEC Register Addressing**

The 2-bit CODEC ID field in the LSBs of Output Slot 0 is an addition to the original AC-Link protocol that enables an AC'97 Digital Controller to independently access Primary and Secondary CODEC registers.

For Primary CODEC access, the AC'97 Digital Controller:

1. Sets the AC-Link Frame valid bit (Slot 0, bit 15).
2. *Validates* the tag bits for Slot 1 and 2 Command Address and Data (Slot 0, bits 14 and 13).
3. Sets a *zero* value (00) into the CODEC ID field (Slot 0, bits 1 and 0).
4. Transmits the desired Primary CODEC Command Address and Command Data in Slots 1 and 2.

For Secondary CODEC access, the AC'97 Digital Controller:

1. Sets the AC-Link Frame valid bit (Slot 0, bit 15).
2. Places a *non-zero* value (01, 10, or 11) into the CODEC ID field (Slot 0, bits 1 and 0).
3. Transmits the desired Secondary CODEC Command Address and Command Data in Slots 1 and 2.

Secondary CODECs disregard the Command Address and Command Data (Slot 0, bits 14 and 13) tag bits. In a sense the Secondary CODEC ID field functions as an alternative Valid Command Address (for Secondary reads and writes) and Command Data (for Secondary writes) tag indicator.

Secondary CODECs must monitor the Frame Valid bit, and ignore the frame (regardless of the state of the Secondary CODEC ID bits) if it is not valid. AC'97 Digital Controllers should set the frame valid bit for a frame with a Secondary register access, even if no other bits in the output tag slot except the Secondary CODEC ID bits are set.

## **5.3. AC-Link Output Frame (SDATA\_OUT)**

The AC-Link output frame data streams correspond to the multiplexed bundles of all digital output data targeting AC'97's DAC inputs, and control registers. As mentioned earlier, each AC-Link output frame supports up to twelve 20-bit outgoing data time slots. Slot 0 is a special reserved time slot containing 16-bits which are used for AC-Link protocol infrastructure.

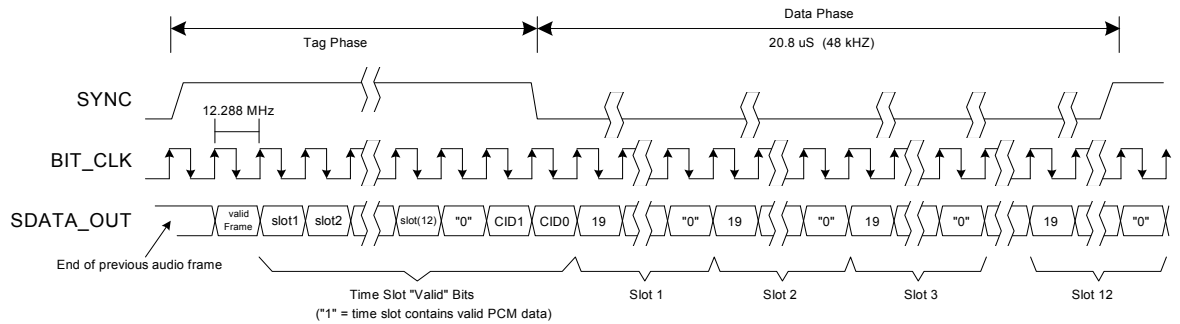
Figure 15 illustrates the time slot based AC-Link protocol.

**Figure 15. AC-Link Audio Output Frame**

A new AC-Link output frame begins with a low to high transition of SYNC. SYNC is synchronous to the rising edge of BIT\_CLK. On the immediately following falling edge of BIT\_CLK, the AC'97 CODEC samples the assertion of SYNC. This falling edge marks the time when both sides of AC-Link are aware of the start of a new audio frame. On the next rising of BIT\_CLK, the AC'97 Controller transitions SDATA\_OUT into the first bit position of slot 0 (Valid Frame bit). Each new bit posi-

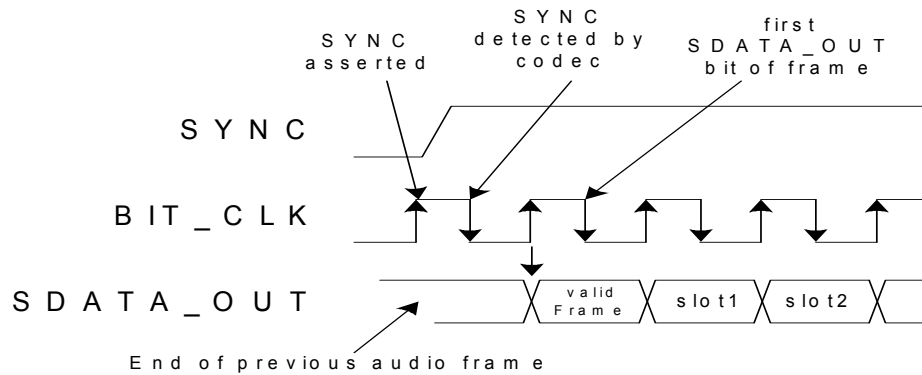
# STAC9752A/9753A

## AC'97 2.3 CODECs with Stereo Microphone & Universal Jack



tion is presented to AC-Link on a rising edge of BIT\_CLK, and subsequently sampled by the AC'97 CODEC on the following falling edge of BIT\_CLK. This sequence ensures that data transitions and subsequent sample points for both incoming and outgoing data streams are time aligned.

**Figure 16. Start of an Audio Output Frame**



SDATA\_OUT's composite stream is MSB justified (MSB first) with all non-valid slots' bit positions stuffed with 0s by the AC'97 Controller. If there are less than 20 valid bits within an assigned and valid time slot, the AC'97 Controller always stuffs all trailing non-valid bit positions of the 20-bit slot with 0s.

As an example, consider an 8-bit sample stream that is being played out to one of the STAC9752A/9753A DACs. The first 8-bit positions are presented to the DAC (MSB justified) followed by the next 12 bit-positions which are stuffed with 0s by the AC'97 Controller. This ensures that regardless of the resolution of the implemented DAC (16, 18 or 20-bit), no DC biasing will be introduced by the least significant bits.

When mono audio sample streams are output from the AC'97 Controller it is necessary that BOTH left and right sample stream time slots be filled with the same data.

**5.3.1. Slot 0: TAG / CODEC ID**

**Table 7. Output Slot 0 Bit Definitions**

<b>Bit</b>	<b>Description</b>
15	Frame Valid
14	Slot 1 Primary CODEC Valid Command Address bit (Primary CODEC only)
13	Slot 2 Primary CODEC Valid Command Data bit (Primary CODEC only)
12-3	Slot 3-12 Valid Data bits
12	Slot 3: PCM Left channel
11	Slot 4: PCM Right channel
10	Slot 5: Modem Line 1 (not used on STAC9752A/9753A)
9	Slot 6: Alternative PCM1 Left
8	Slot 7: Alternative PCM2 Left
7	Slot 8: Alternative PCM2 Right
6	Slot 9: Alternative PCM1 Right
5	Slot 10: SPDIF Left
4	Slot 11: SPDIF Right
3	Slot 12: Audio GPIO
2	Reserved (Set to 0)
1-0	2-bit CODEC ID field (00 reserved for Primary; 01, 10, 11 indicate Secondary)

*Note: The DAC can be assigned to slots 3&4, 6&9, 7&8, or 10&11.*

Within slot 0 the first bit is a global bit (SDATA\_OUT slot 0, bit 15) which flags the validity for the entire audio frame. If the “Valid Frame” bit is a 1, this indicates that the current audio frame contains at least one time slot of valid data. The next 12 bit positions sampled by AC'97 indicate which of the corresponding 12 time slots contain valid data. In this way data streams of differing sample rates can be transmitted across AC-Link at its fixed 48 KHz audio frame rate.

The two LSBs of Slot 0 transmit the CODEC ID used to distinguish Primary and Secondary CODEC register access.

**5.3.2. Slot 1: Command Address Port**

The command port is used to control features, and monitor status (see AC-Link input frame Slots 1 and 2) for AC'97 CODEC functions including, but not limited to, mixer settings, and power management (refer to the control register section of this specification).

The control interface architecture supports up to 64 16-bit read/write registers, addressable on even byte boundaries. Only the even registers (00h, 02h, etc.) are currently defined, odd register (01h, 03h, etc.) accesses are reserved for future expansion.

Note that shadowing of the control register file on the AC'97 Controller is an option left open to the implementation of the AC'97 Controller. The AC'97 CODEC's control register file is nonetheless required to be readable as well as writeable to provide more robust testability.

## STAC9752A/9753A

### AC'97 2.3 CODECs with Stereo Microphone & Universal Jack

AC-Link output frame slot 1 communicates control register address, and write/read command information to the STAC9752A/9753A.

**Table 8. Command Address Port Bit Assignments**

Bit	Description	Comments
19	Read/Write command	1 = read, 0 = write
18:12	Control Register Index	sixty-four 16-bit locations, addressed on even byte boundaries
11:0	Reserved	Stuffed with 0s

The first bit (MSB) sampled by AC'97 indicates whether the current control transaction is a read or a write operation. The following 7 bit positions communicate the targeted control register address. The trailing 12 bit positions within the slot are reserved and must be stuffed with 0s by the AC'97 Controller.

#### 5.3.3. Slot 2: Command Data Port

The command data port is used to deliver 16-bit control register write data in the event that the current command port operation is a write cycle. (as indicated by Slot 1, bit 19)

- Bit(19:4) Control Register Write Data (Stuffed with 0s if current operation is a read)
- Bit(3:0) Reserved (Stuffed with 0s)

If the current command port operation is a read then the entire slot time must be stuffed with 0s by the AC'97 Controller.

#### 5.3.4. Slot 3: PCM Playback Left Channel

AC-Link output frame slot 3 is the composite digital audio left playback stream. In a typical "Games Compatible" PC this slot is composed of standard PCM (.wav) output samples digitally mixed (on the AC'97 Controller or host processor) with music synthesis output samples. If a sample stream of resolution less than 20-bits is transferred, the AC'97 Controller must stuff all trailing non-valid bit positions within this time slot with 0s.

The DAC can be assigned to slots 3&4, 6&9, 7&8, or 10&11.

#### 5.3.5. Slot 4: PCM Playback Right Channel

AC-Link output frame slot 4 is the composite digital audio right playback stream. In a typical "Games Compatible" PC this slot is composed of standard PCM (.wav) output samples digitally mixed (on the AC'97 Controller or host processor) with music synthesis output samples. If a sample stream of resolution less than 20-bits is transferred, the AC'97 Controller must stuff all trailing non-valid bit positions within this time slot with 0s.

The DAC can be assigned to slots 3&4, 6&9, 7&8, or 10&11.

#### 5.3.6. Slot 5: NOT USED (Modem Line 1 Output Channel)

Audio output frame slot 5 is reserved for modem operation and is not used by the STAC9752A/9753A.

5.3.7. Slot 6 -11: DAC

The DAC can be assigned to slots 3&4, 6&9, 7&8, or 10&11.

5.3.8. Slot 12: Audio GPIO Control Channel

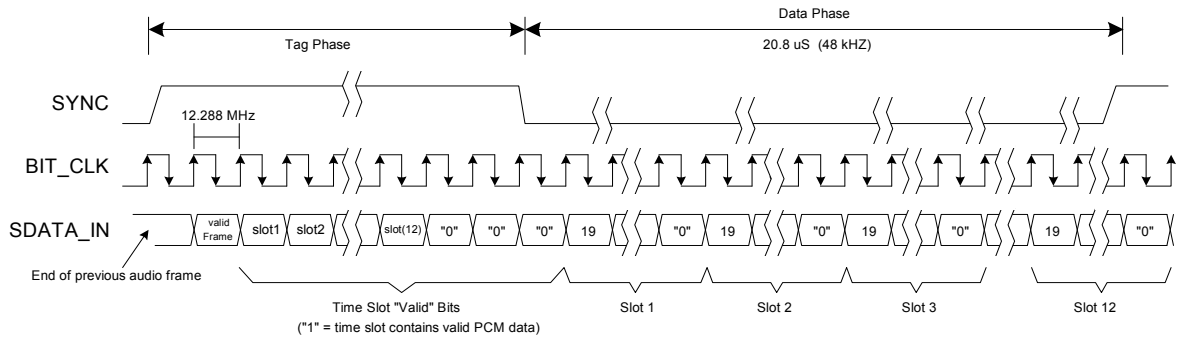
AC-Link output frame slot 12 contains the audio GPIO control outputs.

5.4. AC-Link Input Frame (SDATA\_IN)

The AC-Link input frame data streams correspond to the multiplexed bundles of all digital input data targeting the AC'97 Controller. As is the case for an audio output frame, each AC-Link input frame consists of twelve 20-bit time slots. Slot 0 is a special reserved time slot containing 16-bits which are used for AC-Link protocol infrastructure.

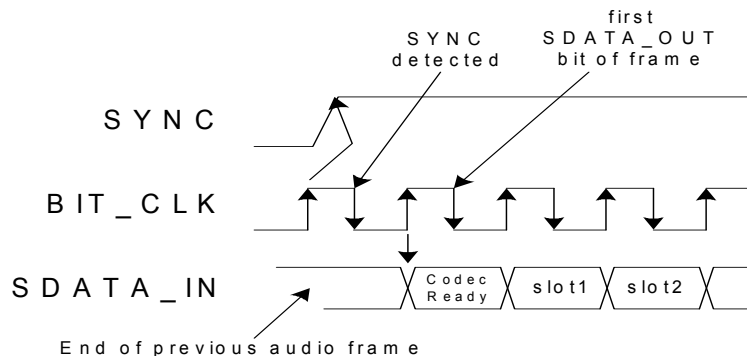
The following diagram illustrates the time slot-based AC-Link protocol.

Figure 17. STAC9752A/9753A Audio Input Frame



A new AC-Link input frame begins with a low to high transition of SYNC. SYNC is synchronous to the rising edge of BIT\_CLK. On the immediately following falling edge of BIT\_CLK, the AC'97 CODEC samples the assertion of SYNC. This falling edge marks the time when both sides of AC-Link are aware of the start of a new audio frame. On the next rising of BIT\_CLK, the AC'97 CODEC transitions SDATA\_IN into the first bit position of slot 0 ("CODEC Ready" bit). Each new bit position is presented to AC-Link on a rising edge of BIT\_CLK, and subsequently sampled by the AC'97 Controller on the following falling edge of BIT\_CLK. This sequence ensures that data transitions and subsequent sample points for both incoming and outgoing data streams are time aligned.

Figure 18. Start of an Audio Input Frame



SDATA\_IN's composite stream is MSB justified (MSB first) with all non-valid bit positions (for assigned and/or unassigned time slots) stuffed with 0s by the AC'97 CODEC. SDATA\_IN data is sampled on the falling edges of BIT\_CLK.

**5.4.1. Slot 0: TAG**

Within slot 0, the first bit is a global bit (SDATA\_IN slot 0, bit 15) which flags whether the AC'97 CODEC is in the "CODEC Ready" state or not. If the "CODEC Ready" bit is a 0, this indicates that the AC'97 CODEC is not ready for normal operation. This condition is normal following the deassertion of power on reset for example, while the AC'97 CODEC's voltage references settle. When the AC-Link "CODEC Ready" indicator bit is a 1 it indicates that the AC-Link and AC'97 CODEC control and status registers are in a fully operational state. CODEC must assert "CODEC Ready" within 400 ms after it starts receiving valid SYNC pulses from the controller, to provide indication of connection to the link and Control/Status registers are available for access. The AC'97 Controller and related software **must wait** until all of the lower four bits of the Control/Status Register, 26h, are set before attempting any register writes, or attempting to enable any audio stream, to avoid undesirable audio artifacts.

Prior to any attempts at putting an AC'97 CODEC into operation, the AC'97 Controller should poll the first bit in the AC-Link input frame (SDATA\_IN slot 0, bit 15) for an indication that CODEC has gone "CODEC Ready". Once an AC'97 CODEC is sampled "CODEC Ready"<sup>1</sup> then the next 12 bit positions sampled by the AC'97 Controller indicate which of the corresponding 12 time slots are assigned to input data streams, and that they contain valid data.

**5.4.2. Slot 1: Status Address Port / SLOTREQ Signaling Bits**

**5.4.2.1. Status Address Port**

The status port is used to monitor status for the STAC9752A/9753A functions including, but not limited to, mixer settings and power management. AC-Link input frame slot 1's stream echoes the control register index, for historical reference, for the data to be returned in slot 2. (Assuming that slots 1 and 2 had been tagged "valid" by the AC'97 CODEC during slot 0.

**Table 9. Status Address Port Bit Assignments**

Bit	Description	Comments
19	Reserved	Stuffed with 0s
18:12	Control Register Index	Echo of register index for which data is being returned
11:2	SLOTREQ	See Section 5.4.2.2: page 40
1:0	Reserved	Stuffed with 0s

The first bit (MSB) generated by AC'97 is always stuffed with a 0. The following 7 bit positions communicate the associated control register address, the next 10 bits support AC'97's variable sample rate signaling protocol, and the trailing 2 bit positions are stuffed with 0s by AC'97.

**5.4.2.2. SLOTREQ signaling bits**

AC-Link input frame Slot #1, the Status Address Port, now delivers CODEC control register read address *and* variable sample rate slot request flags for all output slots. Ten of the formerly reserved least significant bits have been defined as data request flags for output slots 3-12.

1. There are several subsections within an AC'97 CODEC that can independently go busy/ready. It is the responsibility of the AC'97 Controller to probe more deeply into the AC'97 CODEC's register file to determine which subsections are actually ready.



## STAC9752A/9753A

### AC'97 2.3 CODECs with Stereo Microphone & Universal Jack

The AC-Link input frame Slot 1 tag bit is independent of the bit 11-2 slot request field, and ONLY indicates valid Status Address Port data (Control Register Index). The CODEC should only set SDATA\_IN tag bits for Slot 1 (Address) and Slot 2 (Data) to 1 when returning valid data from a previous register read. They should otherwise be set to 0. SLOTREQ bits have validity independent of the Slot 1 tag bit.

SLOTREQ bits are always 0 in the following cases

- Fixed rate mode (VRA = 0)
- Inactive (powered down) ADC channel

SLOTREQ bits are only set to 1 by the CODEC in the following case

- Variable rate audio mode (VRA = 1) AND active (power ready) ADC AND a non-48 KHz ADC sample rate and CODEC does not need a sample

#### 5.4.3. Slot 2: Status Data Port

The status data port delivers 16-bit control register read data.

Table 10. Status Data Port Bit Assignments

Bit	Description	Comments
19:4	Control Register Read Data	Stuffed with 0s if tagged "invalid"
3:0	Reserved	Stuffed with 0s

If Slot 2 is tagged invalid by AC'97, then the entire slot will be stuffed with 0s by AC'97.

#### 5.4.4. Slot 3: PCM Record Left Channel

Audio input frame slot 3 is the left channel output of STAC9752A/9753A input MUX, post-ADC. STAC9752A/9753A ADCs are implemented to support 20-bit resolution.

NOTE: The ADC can be assigned to slots 3&4, 6&9, 7&8, or 10&11.

#### 5.4.5. Slot 4: PCM Record Right Channel

Audio input frame slot 4 is the right channel output of STAC9752A/9753A input MUX, post-ADC. STAC9752A/9753A ADCs are implemented to support 20-bit resolution.

NOTE: The ADC can be assigned to slots 3&4, 6&9, 7&8, or 10&11.

#### 5.4.6. Slot 5: NOT USED (Modem Line 1 ADC)

Audio input frame slot 5 is not used by the STAC9752A/9753A and is always stuffed with 0s.

#### 5.4.7. Slot 6-9: ADC

The left and right ADC channels of the STAC9752A/9753A may be assigned to slots 6&9 by Register 6Eh.

NOTE: The ADC can be assigned to slots 3&4, 6&9, 7&8, or 10&11.

**5.4.8. Slots 7-8: Vendor Reserved**

The left and right ADC channels of the STAC9752A/9753A may be assigned to slots 7&8 by Register 6Eh.

NOTE: The ADC can be assigned to slots 3&4, 6&9, 7&8, or 10&11.

**5.4.9. Slot 10 & 11: ADC**

The left and right ADC channels of the STAC9752A/9753A may be assigned to slots 10&11 by Register 6Eh.

NOTE: The ADC can be assigned to slots 3&4, 6&9, 7&8, or 10&11.

**5.4.10. Slot 12: Reserved**

AC-Link input frame slot 12 contains the GPIO status inputs and allows for audio interrupts. Slot 12 can be used by the AC'97 CODEC is a modem CODEC is not present.

**5.5. AC-Link Interoperability Requirements and Recommendations**

**5.5.1. "Atomic slot" Treatment of Slot 1 Address and Slot 2 Data**

Command or Status Address and Data cannot be split across multiple AC-Link frames. The following transactions require that valid Slot 1 Address and valid Slot 2 Data be treated as "atomic" (inseparable) with Slot 0 Tag bits for Address and Data set accordingly (that is, both valid):

1. AC'97 Digital Controller write commands to Primary CODECs
2. AC'97 CODEC status responses

Whenever the AC'97 Digital Controller addresses a Primary CODEC or an AC'97 CODEC responds to a read command, Slot 0 Tag bits should always be set to indicate actual Slot 1 and Slot 2 data validity.

**Table 11. Primary CODEC Addressing: Slot 0 Tag Bits**

Function	Slot 0, bit 15 (Valid Frame)	Slot 0, bit 14 (Valid Slot 1 Address)	Slot 0, bit 13 (Valid Slot 2 Data)	Slot 0, Bits 1-0 (CODEC ID)
AC'97 Digital Controller Primary Read Frame N, SDATA_OUT	1	1	0	00
AC'97 Digital Controller Primary Write Frame N, SDATA_OUT	1	1	1	00
AC'97 CODEC Status Frame N+1, SDATA_IN	1	1	1	00

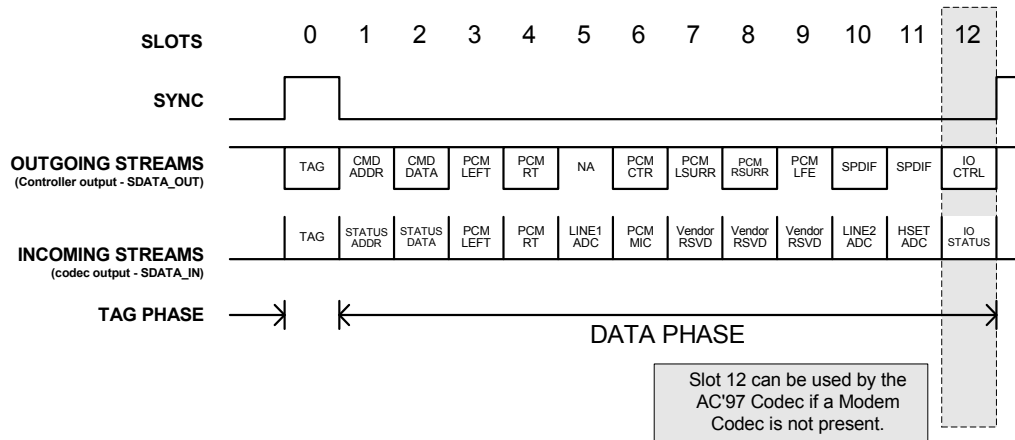
When the AC'97 Digital Controller addresses a Secondary CODEC, the Slot 0 Tag bits for Address and Data must be 0. A non-zero, 2-bit CODEC ID in the LSBs of Slot 0 indicates a valid Read or Write Address in Slot 1, and the Slot 1 R/W bit indicates presence or absence of valid Data in Slot 2.

Table 12. Secondary CODEC Addressing: Slot 0 tag bits

Function	Slot 0, bit 15 (Valid Frame)	Slot 0, bit 14 (Valid Slot 1 Address)	Slot 0, bit 13 (Valid Slot 2 Data)	Slot 0, Bits 1-0 (CODEC ID)
AC'97 Digital Controller Secondary Read Frame N, SDATA_OUT	1	0	0	01, 10, or 11
AC'97 Digital Controller Secondary Write Frame N, SDATA_OUT	1	0	0	01, 10, or 11
AC'97 CODEC Status Frame N+1, SDATA_IN	1	1	1	00

### 5.6. Slot Assignments for Audio

Figure 19. Bi-directional AC-Link Frame with Slot assignments



The AC-link output slots (transmitted to the Codec) are defined as follows:

Table 13. AC-Link Output Slots Dedicated To CODEC

Slot	Name	Description
0	SDATA_OUT TAG	MSBs indicate which slots contain valid data; LSBs convey Codec ID
1	Control CMD ADDR write port	Read/write command bit plus 7-bit Codec register address
2	Control DATA write port	16-bit command register write data
3,4	PCM L & R DAC playback	16, 18, or 20-bit PCM data for left and right channels
5	Modem Line 1 DAC	16-bit modem data for modem line 1 output
6,7,8,9	PCM Center, Rear, LFE	16, 18, or 20-bit PCM data for Center, L & R Rear, LFE channels
10	Modem Line 2 DAC	16-bit modem data for modem line 2 output
11	Modem handset DAC	16-bit modem data for modem handset output
12	Modem IO control	GPIO write port for modem control
10-12	Double rate audio	Optional AC-link bandwidth for 88.2 or 96 kHz on L, C, R channels

## STAC9752A/9753A

### AC'97 2.3 CODECs with Stereo Microphone & Universal Jack

The AC-link input slots (transmitted from the Codec) are defined as follows:

**Figure 20. AC-Link Input Slots Dedicated To CODEC**

Slot	Name	Description
0	SDATA_IN TAG	MSBs indicate which slots contain valid data
1	STATUS ADDR read port	MSBs echo register address; LSBs indicate which slots request data
2	STATUS DATA read port	16-bit command register read data
3,4	PCM L & R ADC record	16-bit PCM data from left and right inputs
5	Modem Line 1 ADC	16-bit modem data from modem line 1 input
6	Dedicated Microphone ADC	16-bit PCM data from optional 3rd ADC input
7,8,9	Vendor reserved	Vendor specific (enhanced input for docking, array mic, etc)
10	Modem Line 2 ADC	16-bit modem data from modem line 2 input
11	Modem handset input	16-bit modem data for modem handset input
12	Modem IO status	GPIO read port for modem control

*Note: The DAC & ADC can be assigned to slots 3&4, 6&9, 7&8, or 10&11.*

The AC-Link output slots dedicated to audio are defined as follows:

**Table 14. AC-Link Output Slots Dedicated To Audio**

Slot	Name	Description
3	PCM L DAC playback	20-bit PCM data for left channel
4	PCM R DAC playback	20-bit PCM data for right channel
6	PCM Center	20-bit PCM data for Center channel
7	PCM L Surround	20-bit PCM data for L Surround channel
8	PCM R Surround	20-bit PCM data for R Surround channel
9	PCM LFE	20-bit PCM data for LFE channel
10:11	SPDIF Out	20-bit SPDIF Output
12	Reserved	Reserved

The AC-Link input slots dedicated to audio are defined as follows:

**Table 15. AC-Link Input Slots Dedicated To Audio**

Slot	Name	Description
3	PCM L ADC record	20-bit PCM data from left input
4	PCM R ADC record	20-bit PCM data from right inputs
6	Dedicated Microphone ADC	20-bit PCM data from optional 3rd ADC input
7	Vendor reserved	Vendor specific (enhanced input for docking, array mic, etc.)
8	Vendor reserved	Vendor specific (enhanced input for docking, array mic, etc.)
9	Vendor reserved	Vendor specific (enhanced input for docking, array mic, etc.)
12	Audio Interrupt	Provides optional interrupt capability for Audio CODEC (not usable when a modem is present)

*Note: The ADC can be assigned to slots 3&4, 6&9, 7&8, or 10&11.*

**Table 16. Audio Interrupt Slot Definitions**

Bit	Description
19-1	Reserved (Audio CODEC will return zeros in bits 19-1)
0	Optional: Assertion = 1 will cause interrupt to be propagated to Audio controller system interrupt. See register 24h definition for enabling mechanism.

6. STAC9752A/9753A FUNCTIONAL BLOCKS

6.1. STAC9752A/9753A Mixer Description

The STAC9752A/9753A includes an analog mixer for maximum flexibility. The analog mixer is designed to the AC'97 specification to manage the record and playback of all digital and analog audio sources in the PC environment. The analog mixer also includes several extensions of the AC'97 specification to support “all analog record” capability as well as “POP BYPASS” mode for all digital playback. The analog sources include:

- **System Audio:** digital PCM input and output for business, games & multimedia
- **CD/DVD:** analog CD/DVD-ROM audio with internal connections to CODEC mixer
- **Stereo or Mono microphone:** choice of desktop mic, with programmable boost and gain
- **Speakerphone:** use of system mic and speakers for telephone, DSVD, and video conferencing
- **Video:** TV tuner or video capture card with internal connections to CODEC mixer
- **AUX/synth:** analog FM or wavetable synthesizer, or other internal source
- **Line in:** external analog line-level source from consumer audio, video camera, etc.

Source	Function	Connection
PC_BEEP	PC BEEP pass through to LINE_OUT	from PC_BEEP output
PHONE	MONO input	from telephony subsystem
MIC1	desktop microphone	from stereo or mono mic jack
MIC2	second microphone	from stereo or second mono mic jack
LINE_IN	external audio source	from line-in jack
CD	audio from CD-ROM	cable from CD-ROM
VIDEO	audio from TV tuner or video camera	cable from TV or VidCap card
AUX	upgrade synth or other external source	internal connector
PCM out	digital audio output from AC'97 Controller	AC-Link

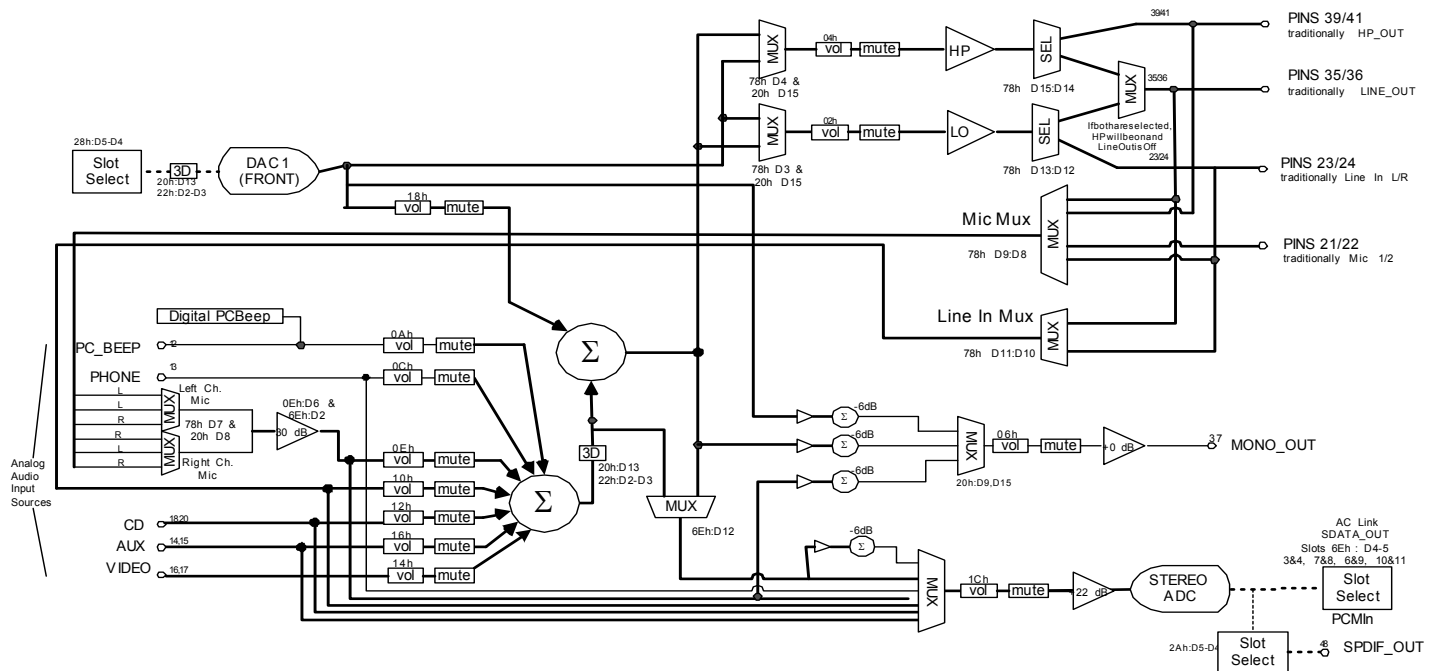
Destination	Function	Connection
HP_OUT	stereo mix of all sources	To headphone out jack
LINE_OUT	stereo mix of all sources	To output jack
MONO_OUT	mic or MONO Analog mixer output	to telephony subsystem
PCM in	digital data from the CODEC to the AC'97 Controller	AC-Link
SPDIF	SPDIF digital audio output	To SPDIF output connector

# STAC9752A/9753A

## AC'97 2.3 CODECs with Stereo Microphone & Universal Jack

### 6.1.1. Mixer Functional Diagrams

Figure 21. STAC9752A/9753A 2-Channel Mixer Functional Diagram



### 6.1.2. Mixer Analog Input

The mixer provides recording and playback of any audio sources or output mix of all sources. The STAC9752A/9753A supports the following input sources:

- Any mono or stereo source
- Mono or stereo mix of all sources
- Two-channel input w/mono output reference (mic or stereo mix)

*Note: All unused inputs should be tied together and connected to ground through a capacitor (0.1 mF suggested).*

*Note: The MIC inputs should be tied to ground through a separate capacitor (0.1 mF suggested).*

### 6.1.3. Mixer Analog Output

The mixer generates three distinct outputs:

- A stereo mix of all sources for output to the LINE\_OUT
- A stereo mix of all sources for output to HP\_OUT
- A mono, mic only or mix of all sources for MONO\_OUT

## 6.2. SPDIF Digital Mux

The STAC9752A/9753A incorporates a digital output that supports SPDIF formats. A multiplexer determines which of two digital input streams are used for the digital output conversion process. These two streams include the PCM OUT data from the audio controller and the ADC recorded output. The normal analog LINE\_OUT signal can be converted to the SPDIF formats by using the internal ADC to record the "MIX" output, which is the combination of all analog and all digital sources. In the case of digital controllers with support for four or more channels, the SPDIF output mode can be

used to support compressed 6-channel output streams for delivery to home theater systems. These can be routed on alternate AC-Link slots to the SPDIF output, while the standard 2-channel output is delivered as selected by bits D5 and D4 in Register 6E. If the digital controller supports six channels, a SPDIF output with four analog channels can also be configured.

If the Digital Controller has independent DMA engines, SPDIF and Analog can be used simultaneously and independently.

**6.3. PC BEEP Implementation**

The STAC9752A/9753A offers two styles of PC BEEP, Analog and Digital. The digital PC BEEP is a new feature added to the AC'97 Specification Rev 2.3. This style of PC BEEP will eventually replace the Analog style, thus eliminating the need for a PC BEEP pin. Until this feature is widely accepted, TSI will provide BOTH styles of PC BEEP. Both PC BEEP styles use Reg 0Ah. Additional information about Reg0Ah can be found in Section 7.1.5: page 51.

**6.3.1. Analog PC BEEP**

PC BEEP is active on power up and defaults to an un-muted state. The PC\_BEEP input is routed directly to the MONO\_OUT, LINE\_OUT and HP\_OUT pins of the CODEC. Because the PC\_BEEP input drive is often a full scale digital signal, some resistive attenuation of the PC\_BEEP input is recommended to keep the beep tone within reasonable volume levels. The user should mute this input before using any other mixer input because the PC BEEP input can contribute noise to the lineout during normal operation. This style of PC BEEP is related to the AC'97 Specification Rev 2.2. To use the analog PC BEEP, write a value of 00h to bits F[7:0](D[12:5]) to disable the Digital PC BEEP generation. PV[3:0] (D[4:1]) controls the volume level from 0 to 45dB of attenuation in 3dB steps.

**6.3.2. Digital PC BEEP**

The Digital PC BEEP uses the identical register as the Analog style, Reg 0Ah. This register controls the level and frequency for the PC BEEP. The beep frequency is the result of dividing the 48 KHz clock by 2 times the number specified in F[7:0] +2, allowing tones from 94 Hz to 12 KHz. A value of 00h written to bits F[7:0] disables the digital PC BEEP generation and enables the analog style PC BEEP. The volume control bits, PV[3:0] operate identically to the analog PC BEEP mode. Applying a signal to the PC BEEP pin, pin 12, may cause the digital PC BEEP signal to become distorted or inaudible. When using the digital PC BEEP feature, it is recommended to leave the PC BEEP input pin unconnected or connected to analog ground through a capacitor. Connecting a capacitor from the PC BEEP input pin to ground will create a more pleasing sound by changing the digital output to a more sinusoidal signal.

**Table 17. Digital PC BEEP Examples**

Value	Reg 0Ah	Frequency
1	0x01	12,000Hz
10	0x0A	1200Hz
25	0x19	480Hz
50	0x32	240Hz
100	0x64	120Hz
127	0x0F	94.48Hz
255	0xFF	47.05Hz

This will be programmed directly by the BIOS.

## 7. PROGRAMMING REGISTERS

Table 18. Programming Registers

Address	Name	Default	Location
00h	Reset	6A90h	7.1.1; page 49
02h	Master Volume	8000h	7.1.2; page 49
04h	HP_OUT Mixer Volume	8000h	7.1.3; page 50
06h	Master Volume MONO	8000h	7.1.4; page 51
0Ah	PC Beep Mixer Volume	0000h	7.1.5; page 51
0Ch	Phone Mixer Volume	8008h	7.1.6; page 52
0Eh	Mic Mixer Volume	8008h	7.1.7; page 52
10h	Line In Mixer Volume	8808h	7.1.8; page 53
12h	CD Mixer Volume	8808h	7.1.9; page 54
14h	Video Mixer Volume	8808h	7.1.10; page 54
16h	Aux Mixer Volume	8808h	7.1.11; page 55
18h	PCM Out Mixer Volume	8808h	7.1.12; page 55
1Ah	Record Select	0000h	7.1.13; page 56
1Ch	Record Gain	8000h	7.1.14; page 57
20h	General Purpose	0000h	7.1.15; page 57
22h	3D Control	0000h	7.1.16; page 58
24h	Audio Int. & Paging	0000h	7.1.17; page 58
26h	Powerdown Ctrl/Stat	000Fh	7.1.18; page 59
28h	Extended Audio ID	0A05h	7.1.19; page 61
2Ah	Extended Audio Control/Status	0400h*	7.1.20; page 62
2Ch	PCM DAC Rate	BB80h	7.1.22; page 64
32h	PCM LR ADC Rate	BB80h	7.1.23; page 64
3Ah	SPDIF Control	2000h	7.1.24; page 65
3Eh	Extended Modem Stat/Ctl	0100h	7.2.4; page 66
4Ch	GPIO Pin Configuration	0003h	7.2.5; page 67
4Eh	GPIO Pin Polarity/Type	FFFFh	7.2.6; page 67
50h	GPIO Pin Sticky	0000h	7.2.7; page 67
52h	GPIO Wake-up	0000h	7.2.8; page 68
54h	GPIO Pin Status	0000h	7.2.9; page 68
60h	CODEC Class/Rev	1201h	7.3; page 68
62h (Page 01h)	PCI SVID	FFFFh	7.4.2; page 70
64h (Page 01h)	PCI SSID	FFFFh	7.4.3; page 70
66h (Page 01h)	Function Select	0000h	7.4.4; page 71
68h (Page 01h)	Function Information	xxxxh	7.4.5; page 72
6Ah	Digital Audio Control	0000h	7.4.6; page 74
6Ah (Page01h)	Sense Details	NA	7.4.7; page 74
6Ch	Revision Code	xxxxh	7.4.7; page 74
6Ch (Page01h)	Reserved	0000h	NA
6Eh	Analog Special	1000h	7.4.9; page 76
6Eh (Page01h)	Reserved	0000h	NA
70h	Enable Register	0000h	NA
72h	Analog Current Adjust	0000h	7.4.10; page 77
74h	EAPD Access	0800h	7.4.11; page 78



Table 18. Programming Registers

Address	Name	Default	Location
76h	Register 78h Enable	0000h	7.4.11; page 78
78h	High Pass Filter Bypass	0000h	7.4.11; page 78
7Ah	Universal Jacks™ Selection	0000h	7.4.11; page 78
7Ch	Vendor ID1	8384h	7.5.1; page 80
7Eh	Vendor ID2	7652h	7.5.2; page 80

Note: \* depends upon CODECID

## 7.1. Register Descriptions

### 7.1.1. Reset (00h)

Default: 6A90h

D15	D14	D13	D12	D11	D10	D9	D8
RSRVD	SE4	SE3	SE2	SE1	SE0	ID9	ID8
D7	D6	D5	D4	D3	D2	D1	D0
ID7	ID6	ID5	ID4	ID3	ID2	ID1	ID0

Writing any value to this register performs a register reset, which causes all registers to revert to their default values. This register reset also resets all the digital block. Reading this register returns the ID code of the part.

Bit(s)	Reset Value	Name	Description
15	0	Reserved	Bit not used, should read back 0
14:10	11010	SE4:SE0	TSI ID for SS3D
9	1	ID9	20 Bit ADC Resolution (Supported)
8	0	ID8	18 Bit ADC Resolution
7	1	ID7	20 Bit DAC Resolution (Supported)
6	0	ID6	18 Bit DAC Resolution
5	0	ID5	Loudness (Bass Boost)
4	1	ID4	Headphone Out (Supported)
3	0	ID3	Simulated Stereo ( Mono To Stereo )
2	0	ID2	Bass & Treble Control
1	0	ID1	Reserved
0	0	ID0	Dedicated Mic PCM IN Channel

### 7.1.2. Master Volume Registers (02h)

Default: 8000h

D15	D14	D13	D12	D11	D10	D9	D8
Mute	RSRVD	ML5	ML4	ML3	ML2	ML1	ML0
D7	D6	D5	D4	D3	D2	D1	D0
Reserved		MR5	MR4	MR3	MR2	MR1	MR0

# STAC9752A/9753A

## AC'97 2.3 CODECs with Stereo Microphone & Universal Jack

Bit(s)	Reset Value	Name	Description
15	1	Mute	0 = No mute 1 = Mutes both left & right channels
14	0	Reserved	Bit not used, should read back 0
13	0	ML5	0 = Lineout attenuation is a function of bits12-8 1 = Forces register bits 12-8 to be 11111 Always reads back 0
12:8	0	ML<4:0>	Left Lineout Volume Control 00000 = 0dB attenuation 00001 = 1.5dB attenuation ..... 11111 = 46.5dB attenuation
7:6	0	Reserved	Bits not used, should read back 0
5	0	MR5	0 = Lineout attenuation is a function of bits 4-0 1 = Forces register bits 4-0 to be 11111 Always reads back 0
4:0	0	MR<4:0>	Right Channel Lineout Volume Control 00000 = 0dB attenuation 00001 = 1.5dB attenuation ..... 11111 = 46.5dB attenuation

### 7.1.3. Headphone Volume Registers (04h)

Default: 8000h

D15	D14	D13	D12	D11	D10	D9	D8
Mute	RSRVD	HPL5	HPL4	HPL3	HPL2	HPL1	HPL0
D7	D6	D5	D4	D3	D2	D1	D0
Reserved		HPR5	HPR4	HPR3	HPR2	HPR1	HPR0

Bit(s)	Reset Value	Name	Description
15	1	Mute	0 = No mute 1 = Mutes both left & right channels
14	0	Reserved	Bit not used, should read back 0
13	0	ML5	0 = Headphone attenuation is a function of bits12-8 1 = Forces register bits 12-8 to be 11111 Always reads back 0
12:8	0	ML<4:0>	Left Headphone Volume Control 00000 = 0dB attenuation 00001 = 1.5dB attenuation ..... 11111 = 46.5dB attenuation
7:6	0	Reserved	Bits not used, should read back 0

# STAC9752A/9753A

## AC'97 2.3 CODECs with Stereo Microphone & Universal Jack

Bit(s)	Reset Value	Name	Description
5	0	MR5	0 = Headphone attenuation is a function of bits 4-0 1 = Forces register bits 4-0 to be 11111 Always reads back 0
4:0	0	MR<4:0>	Right Channel Headphone Volume Control 00000 = 0dB attenuation 00001 = 1.5dB attenuation ..... 11111 = 46.5dB attenuation

### 7.1.4. Master Volume MONO (06h)

Default: 8000h

D15	D14	D13	D12	D11	D10	D9	D8
Mute	Reserved						
D7	D6	D5	D4	D3	D2	D1	D0
Reserved		MM5	MM4	MM3	MM2	MM1	MM0

Bit(s)	Reset Value	Name	Description
15	1	Mute	0 = no mute 1 = mute mono
14:6	0	Reserved	Bit not used, should read back 0
5	0	MM5	0 = Mono attenuation is a function of bits 4-0 1 = Forces register bits 4-0 to be 11111 Always reads back 0
4:0	0	MM<4:0>	Mono Volume Control 00000 = 0dB attenuation 00001 = 1.5dB attenuation ..... 11111 = 46.5dB attenuation

### 7.1.5. PC BEEP Volume (0Ah)

Default: 0000h

Additional information on the PC BEEP can be found in Section 6.3: page 47.

D15	D14	D13	D12	D11	D10	D9	D8
Mute	Reserved		F7	F6	F5	F4	F3
D7	D6	D5	D4	D3	D2	D1	D0
F2	F1	F0	PV3	PV2	PV1	PV0	RSRVD

Bit(s)	Reset Value	Name	Description
15	1	Mute	0 = No mute 1 = Mute PC BEEP
14:13	0	Reserved	Bit not used, should read back 0

# STAC9752A/9753A

## AC'97 2.3 CODECs with Stereo Microphone & Universal Jack

Bit(s)	Reset Value	Name	Description
12:5	00h	F[7:0]	The BEEP frequency is the result of dividing the 48KHz clock by 4 times the number specified in F[7:0] allowing tones from 47Hz to 12KHz.  A value of 00h in bits F[7:0] disables internal PC BEEP generation and enables external PC BEEP input if available.
4:1	0	PV(3:0)	PCBEEP Volume Control 0000 = 0dB attenuation 0001 = 3dB attenuation ..... 1111 = 45dB attenuation
0	0	Reserved	Bit not used, should read back 0

### 7.1.6. Phone Volume (Index 0Ch)

Default: 8008h.

D15	D14	D13	D12	D11	D10	D9	D8
Mute	Reserved						
D7	D6	D5	D4	D3	D2	D1	D0
Reserved			GN4	GN3	GN2	GN1	GN0

Bit(s)	Reset Value	Name	Description
15	1	Mute	0 = No mute 1 = Mute phone
14:5	0	Reserved	Bit not used, should read back 0
4:0	0	GN<4:0>	Phone Volume Control 00000 = 12dB gain 00001 = 10.5dB gain ..... 01000 = 0dB gain ..... 11111 = -34.5dB gain

### 7.1.7. Stereo or Mic Volume (Index 0Eh)

To enable Stereo Mic, Register 78h (unlocked), bit D6 must be enabled.

In Stereo mode, the left and right volume is controlled by GN4:GN0.

Default: 8008h.

D15	D14	D13	D12	D11	D10	D9	D8
Mute	Reserved						
D7	D6	D5	D4	D3	D2	D1	D0
Reserved	BOOSTEN	Reserved	GN4	GN3	GN2	GN1	GN0

Bit(s)	Reset Value	Name	Description
15	1	Mute	0 = no mute 1 = mute phone
14:7	0	Reserved	Bit not used, should read back 0

# STAC9752A/9753A

## AC'97 2.3 CODECs with Stereo Microphone & Universal Jack

Bit(s)	Reset Value	Name	Description
6	0	BOOSTEN	Works with MICGAINVAL (Register 6Eh Bit D2) BOOSTEN      MICGAINVAL      =      Mic Gain Boost 0                    0                    =      0 dB 0                    1                    =      10 dB 1                    0                    =      20 dB 1                    1                    =      30 dB
5	0	Reserved	
4:0	0	GN<4:0>	Phone Volume Control 00000 = 12dB gain 00001 = 10.5dB gain ..... 01000 = 0dB gain ..... 11111 = -34.5dB gain

### 7.1.8. LineIn Volume (Index 10h)

Default: 8808h.

D15	D14	D13	D12	D11	D10	D9	D8
Mute	Reserved		GL4	GL3	GL2	GL1	GR0
D7	D6	D5	D4	D3	D2	D1	D0
Reserved			GR4	GR3	GR2	GR1	GR0

Bit(s)	Reset Value	Name	Description
15	1	Mute	0 = no mute 1 = mute linein
14:13	0	Reserved	Bit not used, should read back 0
12:8	0	GL<4:0>	Left LineIn Volume Control 00000 = 12dB gain 00001 = 10.5dB gain ..... 01000 = 0dB gain ..... 11111 = -34.5dB gain
7:5	0	Reserved	Bit not used, should read back 0
4:0	0	GR<4:0>	Right LineIn Volume Control 00000 = 12dB gain 00001 = 10.5dB gain ..... 01000 = 0dB gain ..... 11111 = -34.5dB gain

# STAC9752A/9753A

## AC'97 2.3 CODECs with Stereo Microphone & Universal Jack

### 7.1.9. CD Volume (Index 12h)

Default: 8808h.

D15	D14	D13	D12	D11	D10	D9	D8
Mute	Reserved		GL4	GL3	GL2	GL1	GR0
D7	D6	D5	D4	D3	D2	D1	D0
Reserved			GR4	GR3	GR2	GR1	GR0

Bit(s)	Reset Value	Name	Description
15	1	Mute	0 = no mute 1 = mute CD
14:13	0	Reserved	Bit not used, should read back 0
12:8	0	GL<4:0>	Left CD Volume Control 00000 = 12dB gain 00001 = 10.5dB gain ..... 01000 = 0dB gain ..... 11111 = -34.5dB gain
7:5	0	Reserved	Bit not used, should read back 0
4:0	0	GR<4:0>	right CD Volume Control 00000 = 12dB gain 00001 = 10.5dB gain ..... 01000 = 0dB gain ..... 11111 = -34.5dB gain

### 7.1.10. Video Volume (Index 14h)

Default: 8808h.

D15	D14	D13	D12	D11	D10	D9	D8
Mute	Reserved		GL4	GL3	GL2	GL1	GR0
D7	D6	D5	D4	D3	D2	D1	D0
Reserved			GR4	GR3	GR2	GR1	GR0

Bit(s)	Reset Value	Name	Description
15	1	Mute	0 = no mute 1 = mute video
14:13	0	Reserved	Bit not used, should read back 0
12:8	0	GL<4:0>	Left Video Volume Control 00000 = 12dB gain 00001 = 10.5dB gain ..... 01000 = 0dB gain ..... 11111 = -34.5dB gain

# STAC9752A/9753A

## AC'97 2.3 CODECs with Stereo Microphone & Universal Jack

Bit(s)	Reset Value	Name	Description
7:5	0	Reserved	Bit not used, should read back 0
4:0	0	GR<4:0>	Right video Volume Control 00000 = 12dB gain 00001 = 10.5dB gain ..... 01000 = 0dB gain ..... 11111 = -34.5dB gain

### 7.1.11. Aux Volume (Index 16h)

Default: 8808h.

D15	D14	D13	D12	D11	D10	D9	D8
Mute	Reserved		GL4	GL3	GL2	GL1	GR0
D7	D6	D5	D4	D3	D2	D1	D0
Reserved			GR4	GR3	GR2	GR1	GR0

Bit(s)	Reset Value	Name	Description
15	1	Mute	0 = no mute 1 = mute aux
14:13	0	Reserved	Bit not used, should read back 0
12:8	0	GL<4:0>	Left Aux Volume Control 00000 = 12dB gain 00001 = 10.5dB gain ..... 01000 = 0dB gain ..... 11111 = -34.5dB gain
7:5	0	Reserved	Bit not used, should read back 0
4:0	0	GR<4:0>	Right Aux Volume Control 00000 = 12dB gain 00001 = 10.5dB gain ..... 01000 = 0dB gain ..... 11111 = -34.5dB gain

### 7.1.12. PCMOut Volume (Index 18h)

Default: 8808h.

D15	D14	D13	D12	D11	D10	D9	D8
Mute	Reserved		GL4	GL3	GL2	GL1	GR0
D7	D6	D5	D4	D3	D2	D1	D0
Reserved			GR4	GR3	GR2	GR1	GR0

Bit(s)	Reset Value	Name	Description
15	1	Mute	0 = no mute 1 = mute PCM out
14:13	0	Reserved	Bit not used, should read back 0

# STAC9752A/9753A

## AC'97 2.3 CODECs with Stereo Microphone & Universal Jack

Bit(s)	Reset Value	Name	Description
12:8	0	GL<4:0>	Left PCM Volume Control 00000 = 12dB gain 00001 = 10.5dB gain ..... 01000 = 0dB gain ..... 11111 = -34.5dB gain
7:5	0	Reserved	Bit not used, should read back 0
4:0	0	GR<4:0>	Right PCM Volume Control 00000 = 12dB gain 00001 = 10.5dB gain ..... 01000 = 0dB gain ..... 11111 = -34.5dB gain

### 7.1.13. Record Select (1Ah)

Default: 0000h (corresponding to Mic in)

Used to select the record source independently for right and left.

D15	D14	D13	D12	D11	D10	D9	D8
Reserved					SL2	SL1	SL0
D7	D6	D5	D4	D3	D2	D1	D0
Reserved					SR2	SR1	SR0

Bit(s)	Reset Value	Name	Description
15:11	0	Reserved	Bits not used, should read back 0
10:8	0	SL2:SL0	Left Channel Input Select 000 = Mic 001 = CD In (left) 010 = Video In (left) 011 = Aux In (left) 100 = Line In (left) 101 = Stereo Mix (left) 110 = Mono Mix 111 = Phone
7:3	0	Reserved	Bits not used, should read back 0
2:0	0	SR2:SR0	Right Channel Input Select 000 = Mic 001 = CD In (right) 010 = Video In (right) 011 = Aux In (right) 100 = Line In (right) 101 = Stereo Mix (right) 110 = Mono Mix 111 = Phone



# STAC9752A/9753A

## AC'97 2.3 CODECs with Stereo Microphone & Universal Jack

### 7.1.14. Record Gain (1Ch)

Default: 8000h (corresponding to 0 dB gain with mute on)

D15	D14	D13	D12	D11	D10	D9	D8
Mute	Reserved			GL3	GL2	GL1	GL0
D7	D6	D5	D4	D3	D2	D1	D0
Reserved				GR3	GR2	GR1	GR0

Bit(s)	Reset Value	Name	Description
15	1	MUTE	MUTES RECORD GAIN
14:12	0	Reserved	Bits not used, should read back 0
11:8	0	GL<3:0>	Left Channel Volume Control 0000 = 0dB gain 0001 = 1.5dB gain .... 1111 = 22.5dB gain
7:4	0	Reserved	Bits not used, should read back 0
3:0	0	GR<3:0>	Right Channel Volume Control 0000 = 0dB gain 0001 = 1.5dB gain .... 1111 = 22.5dB gain

### 7.1.15. General Purpose (20h)

Default: 0000h

D15	D14	D13	D12	D11	D10	D9	D8
POP BYP	Reserved	3D	Reserved			MIX	MS
D7	D6	D5	D4	D3	D2	D1	D0
LOOPBACK	Reserved						

Bit(s)	Reset Value	Name	Description
15	0	POP BYPASS	0 = Normal 1 = DAC bypasses mixer and connects directly to Line Out, Headphone Out and Mono Out.
14	0	Reserved	Bit not used, should read back 0
13	0	3D	0 = 3D effect disabled 1 = 3D effect enabled
12:10	0	Reserved	Bit not used, should read back 0
9	0	MIX	Mono Output select (0 = Mix, 1 = Mic)
8	0	MS	Mic select (0 = Mic1, 1 = Mic2)
7	0	LOOPBACK	1 = Enables ADC to DAC Loop Back Test 0 = Loopback Disabled Do not send in conflicting data on AC-Link while running this.
6:0	0	Reserved	Bit not used, should read back 0

**7.1.16. 3D Control (22h)**

Default: 0000h

D15	D14	D13	D12	D11	D10	D9	D8
Reserved							
D7	D6	D5	D4	D3	D2	D1	D0
Reserved				DP3	DP2	Reserved	
Bit(s)	Reset Value	Name	Description				
15:4	0	Reserved	Bits not used, should read back 0				
3:2	0	DP3,DP2	LINE_OUT SEPARATION RATIO DP3 DP2 effect 0 0 0 ( OFF ) 0 1 3 ( LOW ) 1 0 4.5 ( MED ) 1 1 6 ( HIGH )				
1:0	0	Reserved	Bits not used, should read back 0				

This register is used to control the 3D stereo enhancement function, TSI Surround 3D (SS3D), built into the AC'97 component. Note that register bits DP3-DP2 are used to control the separation ratios in the 3D control for LINE\_OUT. SS3D provides for a wider soundstage, extending beyond the normal 2-speaker arrangement. Note that the 3D bit in the general purpose register (20h) must be set to 1 to enable SS3D functionality, which allow the bits in register 22h to take effect.

The three separation ratios are implemented. The separation ratio defines a series of equations that determine the amount of depth difference (High, Medium and Low) perceived during two-channel playback. The ratios provide for options to narrow or widen the soundstage.

**7.1.17. Audio Interrupt and Paging (24h)**

Default: 0000h

D15	D14	D13	D12	D11	D10	D9	D8
I4	I3	I2	I1	I0	Reserved		
D7	D6	D5	D4	D3	D2	D1	D0
Reserved				PG3	PG2	PG1	PG0
Bit(s)	Reset Value	Access	Name	Description			
15	0	Read / Write	I4	0 = Interrupt is clear 1 = interrupt is set Interrupt event is cleared by writing a 1 to this bit. The interrupt bit will change regardless of condition of interrupt enable (I0) status. An interrupt in the GPI in slot 12 in the ACLink will follow this bit change when interrupt enable (I0) is unmasked.			
14-13	0	Read Only	I3-I2	Interrupt Cause 00 = Reserved 01 = Sense Cycle Complete, sense info available. 10 = Change in GPIO input status 11 = Sense Cycle Complete and Change in GPIO input status. These bits will reflect the general cause of the first interrupt event generated. It should be read after interrupt status has been confirmed as interrupting. The information should be used to scan possible interrupting events in proper pages.			

# STAC9752A/9753A

## AC'97 2.3 CODECs with Stereo Microphone & Universal Jack

Bit(s)	Reset Value	Access	Name	Description
12	0	Read / Write	I1	Sense Cycle 0 = Sense Cycle not in Progress 1 = Sense Cycle Start. Writing a 1 to this bit causes a sense cycle start if supported. If sense cycle is not supported this bit is read only.
11	0	Read / Write	I0	Interrupt Enable 0 = Interrupt generation is masked. 1 = Interrupt generation is un-masked. The driver should not un-mask the interrupt unless ensured by the AC'97 controller that no conflict is possible with modem slot 12 - GPI functionality. Some AC'97 2.2 compliant controllers will not likely support audio CODEC interrupt infrastructure. In either case, Software should poll the interrupt status after initiating a sense cycle and wait for Sense Cycle Max Delay to determine if an interrupting event has occurred.
10:4	0	Read Only	Reserved	Bits not used, should read back 0
3:0	0	Read / Write	PG3:PG0	Page Selector 0h = Vendor Specific 1h = Page ID 01 (See Section 7.4 for additional information on the Paging Registers) ..... Fh = Reserved Pages This register is used to select a descriptor of 16 word pages between registers 60h to 6Fh. Value 0h is used to select vendor specific space to maintain compatibility with AC'97 2.2 vendor specific registers. System Software determines implemented pages by writing the page number and reading the value back. All implemented pages must be consecutive. (i.e., page 2h cannot be implemented without page 1h). These registers are not reset on RESET#.

### 7.1.18. Powerdown Ctrl/Stat (26h)

Default: 000Fh

D15	D14	D13	D12	D11	D10	D9	D8
EAPD	PR6	PR5	PR4	PR3	PR2	PR1	PR0
D7	D6	D5	D4	D3	D2	D1	D0
Reserved				REF	ANL	DAC	ADC

Bit(s)	Reset Value	Name	Description
15	0	EAPD	1 = Forces EAPD pad to Vdd 0 = Forces EAPD pad to GND
14	0	PR6	0 = Headphone Amp powered up 1 = Headphone Amp powered down
13	0	PR5	0 = Digital Clk active 1 = Digital Clk disable.
12	0	PR4	0 = Digital active 1 = Powerdown: PLL, AC-Link, Xtal oscillator;

## STAC9752A/9753A

### AC'97 2.3 CODECs with Stereo Microphone & Universal Jack

Bit(s)	Reset Value	Name	Description
11	0	PR3	0 = VREF and VREFOUT are active 1 = VREF and VREFOUT are powered down, and PR2 is asserted in analog block
10	0	PR2	0 = Analog active 1 = All signal path analog is powered down
9	0	PR1	0 = DAC powered up 1 = DAC powered down
8	0	PR0	0 = ADC powered up 1 = ADC powered down
7:4	0	Reserved	Bit not used, should read back 0
3	1	REF	Read Only --- VREF status 1 = VREF'S enabled
2	1	ANL	Read Only ---- ANALOG MIXERS, etc. Status 1 = analog mixers ready.
1	1	DAC	Read Only ---- DAC Status 1 = DAC ready to playback
0	1	ADC	Read Only ---- ADC Status 1 = ADC ready to record

#### 7.1.18.1. Ready Status

The lower half of this register is read only status, a 1 indicating that each subsection is ready. Ready is defined as the subsection's ability to perform in its nominal state. When this register is written, the bit values that come in on AC-Link will have no effect on read-only bits 0-7.

When the AC-Link "CODEC Ready" indicator bit (SDATA\_IN slot 0, bit 15) is a 1, it indicates that the AC-Link and AC'97 control and status registers are in a fully operational state. The AC'97 controller must further probe this Powerdown Control/Status Register to determine exactly which subsections, if any, are ready. When this register is written, the bit values that come in on AC-Link will have no effect on read-only bits 0-7.

#### 7.1.18.2. Powerdown Controls

The STAC9752A/9753A is capable of operating at reduced power when no activity is required. The power-down state is controlled by the Powerdown Register (26h). See the section "Low Power Modes" for more information.

#### 7.1.18.3. External Amplifier Power Down Control Output

The EAPD bit (bit 15 of the Powerdown Control/Status Register (Index 26h)), directly controls the EAPD output, pin 45, and produces a logical 1 when this bit is set to logic high. This function is used to control an external audio amplifier power-down. EAPD = 0 places approximately 0V on the output pin, enabling an external audio amplifier. EAPD = 1 places approximately DVdd on the output pin, disabling the external audio amplifier. Audio amplifiers that operate with reverse polarity will likely require an external inverter to maintain software driver compatibility.

EAPD can also act as a GPIO. See Section 7.4.11: page 78. The GPIO controls in Section 7.2: page 65 have no effect on EAPD.

7.1.19. Extended Audio ID (28h)

Default: 0A05h

D15	D14	D13	D12	D11	D10	D9	D8
ID1	ID0	Reserved				AMAP	RSVD
D7	D6	D5	D4	D3	D2	D1	D0
Reserved		DSA1	DSA0	RESVD	SPDIF	RSVD	VRA

The Extended Audio ID register is a read-only register except for bits D4 and D5. ID1 and ID0 echo the configuration of the CODEC as defined by the programming of pins 45 and 46 externally. "00" returned defines the CODEC as the primary CODEC, while any other code identifies the CODEC as one of three secondary CODECs. The AMAP bit, D9, will return a 1 indicating that the CODEC supports the optional "AC'97 2.3 Compliant AC-Link Slot to Audio DAC Mappings". The default condition assumes that 00 is loaded in the DSA0 and DSA1 bits of the Extended Audio ID (Index 28h). With 00 in the DSA1 and DSA0 bits, the CODEC slot assignments are as per the AC'97 specification recommendations. If the DSA1 and DSA0 bits do not contain 00, the slot assignments are as per the table in the section describing the Extended Audio ID (Index 28h). The VRA bit, D0, will return a 1 indicating that the CODEC supports the optional variable sample rate conversion as defined by the AC'97 specification.

Table 19. Extended Audio ID Register Functions

Bit	Name	Access	Reset Value	Function
15:14	ID [1,0]	Read only	variable	00 = XTAL_OUT grounded ( <b>Note Note:</b> ) CID1#,CID0# = XTAL_OUT crystal or floating
13:12	Reserved	Read only	00	Bits not used, should read back 00
11:10	REV[1:0]	Read only	10	Indicates CODEC is AC'97 Rev 2.3 compliant
9:6	RSVD	Read only	0	Reserved
5:4	DSA [1,0]	Read/Write	00	DAC slot assignment  If CID[1:0] = 00 then DSA[1:0] resets to 00 If CID[1:0] = 01 then DSA[1:0] resets to 01 If CID[1:0] = 10 then DSA[1:0] resets to 01 If CID[1:0] = 11 then DSA[1:0] resets to 10  00 = left slot 3, right slot 4 01 = left slot 7, right slot 8 10 = left slot 6, right slot 9 11 = left slot 10, right slot 11
3	RSVD	Read only	0	Reserved
2	SPDIF	Read only	1	0 = SPDIF pulled high on reset, SPDIF disabled 1 = default, SPDIF enabled ( <b>Note Note:</b> )
1	RSVD	Read only	0	Reserved
0	VRA	Read only	1	Variable sample rates supported (Always = 1)

Note: 1) External CID pin status (from analog), these bits are the logical inversion of the pin polarity (pin 45-46). These bits are zero if XTAL\_OUT is grounded with an alternate external clock source (in primary mode only). Secondary mode can either be through BIT CLK driven or 24 MHz clock driver, with XTAL\_OUT floating.

Note: 2) If pin 48 is held high at powerup, this bit will be held to zero, to indicate the SPDIF is not available. **TO DISABLE SPDIF, USE AN 1 KW - 10 KW EXTERNAL PULLUP RESISTOR.**

# STAC9752A/9753A

## AC'97 2.3 CODECs with Stereo Microphone & Universal Jack

### 7.1.20. Extended Audio Control/Status (2Ah)

Default: 0400h\* (\*default depends on CODEC ID)

<b>D15</b>	<b>D14</b>	<b>D13</b>	<b>D12</b>	<b>D11</b>	<b>D10</b>	<b>D9</b>	<b>D8</b>
VCFG	Reserved				SPCV	Reserved	
<b>D7</b>	<b>D6</b>	<b>D5</b>	<b>D4</b>	<b>D3</b>	<b>D2</b>	<b>D1</b>	<b>D0</b>
Reserved		SPSA1	SPSA0	RSRVD	SPDIF	RSRVD	VRA enable

Bit(s)	Reset Value	Name	Description
15		VCFG	Determines the SPDIF transmitter behavior when data is not being transmitted. When asserted, this bit forces the deassertion of the SPDIF "Validity" flag, which is bit 28 transmitted by the SPDIF sub-frame. The "V" bit is defined in the SPDIF Control Register (Reg 3Ah). If "V" = 1 and "VCFG" = 0, then for each S/PDIF sub-frame (Left & Right), bit<28> "Validity" flag reflects whether or not an internal CODEC transmission error has occurred. Specifically an internal CODEC error should result in the "Validity" flag being set to 1. If "V" = 0 and "VCFG" = 1, In the case where the S/PDIF transmitter does not receive a valid sample from the AC'97 controller, (Left or Right), the S/PDIF transmitter should set the "Validity" flag to 0 and pad the "Audio Sample Word" with 0s for sub-frame in question. If a valid sample (Left or Right) was received and successfully transmitted, the "Validity" flag should be 0 for that sub-frame. Default state, coming out of reset, for "V" and "VCFG" should be 0 and 0. These bits are set-able via driver .inf options.
14-11		Reserved	Reserved
10	0	SPCV	0 = invalid SPDIF configuration 1 = valid SPDIF configuration
9:6	0	Reserved	Bit not used, should read back 0
5:4	0	SPSA1:SPSA0	SPDIF slot assignment  If CID[1:0] = 00 then SPSA[1:0] resets to 01 If CID[1:0] = 01 then SPSA[1:0] resets to 10 If CID[1:0] = 10 then SPSA[1:0] resets to 10 If CID[1:0] = 11 then SPSA[1:0] resets to 11  00 = left slot 3, right slot 4 01 = left slot 7, right slot 8 10 = left slot 6, right slot 9 11 = left slot 10, right slot 11
3		Reserved	Reserved
2	0	SPDIF	0 = disables SPDIF (SPDIF_OUT is high-Z ) (Note 1) 1 = enable SPDIF SPDIF is a control register for Reg 3Ah, this bit must be set low (i.e. SPDIF disabled) in order to write to Reg 3Ah Bits D15, D13:D0.
1	0	Reserved	Bit not used, should read back 0
0	0	VRA Enable	0 = VRA disabled, DAC and ADC set to 48 KHz (Registers 2Ch and 32h loaded with the value BB80h) 1 = VRA enabled, Reg. 2Ch & 32h control sample rate

*7.1.20.1. Variable Rate Sampling Enable*

The Extended Audio Status Control register also contains one active bit to enable or disable the Variable Sampling Rate capabilities of the DACs and ADCs. If the VRA bit D0 is 1, the variable sample rate control registers (2Ch and 32h) are active, and “on-demand” slot data required transfers are allowed. If the VRA bit is 0, the DACs and ADCs will operate at the default 48 KHz data rate.

The STAC9752A/9753A supports “on-demand” slot request flags. These flags are passed from the CODEC to the AC'97 controller in every audio input frame. Each time a slot request flag is set (active low) in a given audio frame, the controller will pass the next PCM sample for the corresponding slot in the audio frame that immediately follows. The VRA enable bit must be set to 1 to enable “on-demand” data transfers. If the VRA enable bit is not set, the CODEC will default to 48 KHz transfers and every audio frame will include an active slot request flag and data is transferred every frame.

For variable sample rate output, the CODEC examines its sample rate control registers, the state of the FIFOs, and the incoming SDATA\_OUT tag bits at the beginning of each audio output frame to determine which SLOTREQ bits to set active (low). SLOTREQ bits are asserted during the current audio input frame for active output slots, which will require data in the next audio output frame.

For variable sample rate input, the tag bit for each input slot indicates whether valid data is present or not. Thus, even in variable sample rate mode, the CODEC is always the master: for SDATA\_IN (CODEC to controller), the CODEC sets the TAG bit; for SDATA\_OUT (controller to CODEC), the CODEC sets the SLOTREQ bit and then checks for the TAG bit in the next frame. Whenever VRA is set to 0, the PCM rate registers (2Ch and 32h) are overwritten with BB80h (48 KHz).

*7.1.20.2. SPDIF*

The SPDIF bit in the Extended Audio Status Control Register is used to enable and disable the SPDIF functionality within the STAC9752A/9753A. If the SPDIF is set to a 1, then the function is enabled. When set to a 0, it is disabled.

*7.1.20.3. SPCV (SPDIF Configuration Valid)*

The SPCV bit is read only and indicates whether or not the SPDIF system is set up correctly. When SPCV is a 0, it indicates the system configuration is invalid. When SPCV is a 1, it indicates the system configuration is valid.

*7.1.20.4. SPSA1, SPSA0 (SPDIF Slot Assignment)*

SPSA1 and SPSA0 combine to provide the slot assignments for the SPDIF data. The following details the slot assignment relationship between SPSA1 and SPSA0.

The STAC9752A/9753A are AMAP compliant with the following table.

**Table 20. AMAP compliant**

CODEC ID	Function	SPSA = 00 Slot Assignment	SPSA = 01 Slot Assignment	SPSA = 10 Slot Assignment	SPSA = 11 Slot Assignment
00	2-ch Primary with SPDIF	3 & 4	7 & 8 *	6 & 9	10 & 11

Table 20. AMAP compliant

01	2-ch Dock CODEC with SPDIF	3 & 4	7 & 8	6 & 9 *	10 & 11
10	+2-ch Surr w/ SPDIF	3 & 4	7 & 8	6 & 9 *	10 & 11
11	+2-ch Cntr/LFE with SPDIF	3 & 4	7 & 8	6 & 9	10 & 11 *

Note: \* is the default slot assignment

**7.1.21. PCM DAC Rate Registers (2Ch and 32h)**

The internal sample rate for the DACs and ADCs are controlled by the value in these read/write registers that contain a 16-bit unsigned value between 0 and 65535 representing the conversion rate in Hertz (Hz). In VRA mode (register 2Ah, bit D0 = 1), if the value written to these registers is supported, that value will be echoed back when read, otherwise the closest (higher in the case of a tie) sample rate is supported and returned. Per PC 99 / PC 2001 specification, independent sample rates are supported for record and playback.

Whenever VRA is set to 0 the PCM rate registers (2Ch and 32h) will be loaded with BB80h (48 KHz).

If VRA is set to a 0, any write to this address will be ignored and the rate remains at 48KHz.

Table 21. Hardware Supported Sample Rates

Sample Rate	SR15-SR0 Value
8 KHz	1F40h
11.025 KHz	2B11h
16 KHz	3E80h
22.05 KHz	5622h
32 KHz	7D00h
44.1 KHz	AC44h
48 KHz	BB80h

**7.1.22. PCM DAC Rate (2Ch)**

Default: BB80h (see table 21: page 64)

<b>D15</b>	<b>D14</b>	<b>D13</b>	<b>D12</b>	<b>D11</b>	<b>D10</b>	<b>D9</b>	<b>D8</b>
SR15	SR14	SR13	SR12	SR11	SR10	SR9	SR8
<b>D7</b>	<b>D6</b>	<b>D5</b>	<b>D4</b>	<b>D3</b>	<b>D2</b>	<b>D1</b>	<b>D0</b>
SR7	SR6	SR5	SR4	SR3	SR2	SR1	SR0

**7.1.23. PCM LR ADC Rate (32h)**

Default: BB80h (see table 21: page 64)

<b>D15</b>	<b>D14</b>	<b>D13</b>	<b>D12</b>	<b>D11</b>	<b>D10</b>	<b>D9</b>	<b>D8</b>
SR15	SR14	SR13	SR12	SR11	SR10	SR9	SR8
<b>D7</b>	<b>D6</b>	<b>D5</b>	<b>D4</b>	<b>D3</b>	<b>D2</b>	<b>D1</b>	<b>D0</b>
SR7	SR6	SR5	SR4	SR3	SR2	SR1	SR0



7.1.24. SPDIF Control (3Ah)

Default: 2000h

D15	D14	D13	D12	D11	D10	D9	D8
V	DRS	SPSR1	SPSR2	L	CC6	CC5	CC4
D7	D6	D5	D4	D3	D2	D1	D0
CC3	CC2	CC1	CC0	PRE	COPY	/AUDIO	PRO

Bit(s)	Reset Value	Access	Name	Description (note 1-2)
15 in 2.3			V	Validity: This bit affects the "Validity" flag, bit<28>, transmitted in each S/PDIF subframe, and enables the S/PDIF transmitter to maintain connection during error or mute conditions. Subframe bit<28> = 0 indicates that data is valid for conversion at the receiver, 1 indicates invalid data (not suitable for conversion at the receiver).  If "V" = 1, then each S/PDIF subframe (Left & Right) should have bit<28> "Validity" flag = 1 or set based on the assertion or de-assertion of the AC '97 "VFORCE" bit within the Extended Audio Status and Control Register (D15, register 2Ah).
14	0	Read Only	DRS	1 = Double Rate SPDIF support (always = 0)
13:12	10	Read & Write	SPSR[1,0]	SPDIF Sample Rate. 00 - 44.1 KHz Rate 01 - Reserved 10 - 48 KHz Rate (default) 11 - 32 KHz Rate
11	0	Read & Write	L	Generation Level is defined by the IEC standard, or as appropriate.
10:4	0	Read & Write	CC[6, 0]	Category Code is defined by the IEC standard or as appropriate by media.
3	0	Read & Write	PRE	0 = 0 μsec Pre-emphasis 1 = Pre-emphasis is 50/15 μsec
2	0	Read & Write	COPY	0 = Copyright not asserted 1 = Copyright is asserted
1	0	Read & Write	/AUDIO	0 = PCM data 1 = Non-Audio or non-PCM format
0	0	Read & Write	PRO	0 = Consumer use of the channel 1 = Professional use of the channel

7.2. General Purpose Input & Outputs

7.2.1. EAPD

EAPD can act as a GPIO, but is unaffected by the following registers. To use EAPD as a GPIO, use Register 74h, the EAPD Access Register. Information about this register is located in Section 7.4.11: page 78. Additional information about EAPD can also be found in Section 7.1.18.3: page 60.

**7.2.2. GPIO Pin Definitions**

GPIO pins are programmable to have input/output functionality. The data values (status) for these pins are all in one register with input/output configuration in a separate register. Control of GPIO pins configured for output is achieved by setting the corresponding bit in output slot 12; status of GPIO pins configured for input is returned on input slot 12. The CODEC must constantly set the GPIO pins that are configured for output, based upon the value of the corresponding bit position of the control slot 12. The CODEC should ignore output slot 12 bits that correspond to GPIO control pins configured as inputs. The CODEC must constantly update status on input slot 12, based upon the logic level detected at each GPIO pin configured for input. A GPIO output pin value that is written via slot 12 in the current frame won't affect the GPIO status that is returned in that particular write frame.

This slot-12 based control/status protocol minimizes the latency and complexity, especially for host-based Controllers and host data pump software, and provides high speed monitoring and control, above what could be achieved with command/status slots. For host-based implementations, most AC'97 registers can be shadowed by the driver in order to provide immediate response when read by the processor, and GPIO pins configured as inputs should be capable of triggering an interrupt upon a change of status.

The AC-Link request for GPIO pin status is always delayed by at least one frame time. Read-Modify-Writes across the AC-Link will thus incur latency issues and must be accounted for by the software driver or AC'97 Digital Controller firmware. PCI re-tries should be kept to a minimum wherever possible.

**7.2.3. GPIO Pin Implementation**

The GPIOs are set to a high impedance state on power-on or a cold reset. It is up to the AC'97 Digital Controller to first enable the output after setting it to the desired state.

**7.2.4. Extended Modem Status and Control Register (3Eh)**

Default: 0100h

D15	D14	D13	D12	D11	D10	D9	D8
Reserved							PRA
D7	D6	D5	D4	D3	D2	D1	D0
Reserved							GPIO

Bit(s)	Access	Reset Value	Name	Description
15:9	Read Only	0	Reserved	Bit not used, should read back 0
8	Read / Write	1	PRA	0 = GPIO powered up / enabled 1 = GPIO powered down / disabled
7:1	Read Only	0	Reserved	Bit not used, should read back 0
0	Read Only	0	GPIO	0 = GPIO not ready (powered down) 1 = GPIO ready (powered up)

**7.2.5. GPIO Pin Configuration Register (4Ch)**

Default: 0003h

D15	D14	D13	D12	D11	D10	D9	D8
Reserved							
D7	D6	D5	D4	D3	D2	D1	D0
Reserved						GC1 (GPIO1)	GC0 (GPIO0)
Bit(s)	Access	Reset Value	Name	Description			
15:2	Read Only	0	Reserved	Bit not used, should read back 0			
1	Read / Write	1	GC1	0 = GPIO1 configured as output 1 = GPIO1 configured as input			
0	Read / Write	1	GC0	0 = GPIO0 configured as output 1 = GPIO0 configured as input			

**7.2.6. GPIO Pin Polarity/Type Register (4Eh)**

Default: FFFFh

D15	D14	D13	D12	D11	D10	D9	D8
Reserved							
D7	D6	D5	D4	D3	D2	D1	D0
Reserved						GP1 (GPIO1)	GP0 (GPIO0)
Bit(s)	Access	Reset Value	Name	Description			
15:2	Read Only	0	Reserved	Bit not used, should read back 0			
1	Read / Write	1	GP1	0 = GPIO1 Input Polarity Inverted, CMOS output drive. 1 = GPIO1 Input Polarity Non-inverted, Open-Drain output drive.			
0	Read / Write	1	GP0	0 = GPIO0 Input Polarity Inverted, CMOS output drive. 1 = GPIO0 Input Polarity Non-inverted, Open-Drain output drive.			

**7.2.7. GPIO Pin Sticky Register (50h)**

Default: 0000h

D15	D14	D13	D12	D11	D10	D9	D8
Reserved							
D7	D6	D5	D4	D3	D2	D1	D0
Reserved						GS1 (GPIO1)	GS0 (GPIO0)
Bit(s)	Access	Reset Value	Name	Description			
15:2	Read Only	0	Reserved	Bit not used, should read back 0			
1	Read / Write	0	GS1	0 = GPIO1 Non Sticky configuration. 1 = GPIO1 Sticky configuration.			
0	Read / Write	0	GS0	0 = GPIO0 Non Sticky configuration. 1 = GPIO0 Sticky configuration.			

**7.2.8. GPIO Pin Mask Register (52h)**

Default: 0000h

D15	D14	D13	D12	D11	D10	D9	D8
Reserved							
D7	D6	D5	D4	D3	D2	D1	D0
Reserved						GW1 (GPIO1)	GW0 (GPIO0)
Bit(s)	Access	Reset Value	Name	Description			
15:2	Read Only	0	Reserved	Bit not used, should read back 0			
1	Read / Write	0	GW1	0 = GPIO1 interrupt not passed to GPIO_INT slot 12. 1 = GPIO1 interrupt is passed to GPIO_INT slot 12.			
0	Read / Write	0	GW0	0 = GPIO0 interrupt not passed to GPIO_INT slot 12. 1 = GPIO0 interrupt is passed to GPIO_INT slot 12.			

**7.2.9. GPIO Pin Status Register (54h)**

Default: 0000h

D15	D14	D13	D12	D11	D10	D9	D8
Reserved							
D7	D6	D5	D4	D3	D2	D1	D0
Reserved						GI1 (GPIO1)	GI0 (GPIO0)
Bit(s)	Access	Reset Value	Name	Description			
15:2	Read Only	0	Rsvd	Bit not used, should read back 0			
1	Read / Write	x	GI1	When GPIO1 is configured as output and Register h74 bit[0] = 0 (default), the value of this register will be placed on the GPIO1 pad. When GPIO1 is configured as output and Register h74 bit[0] = 1, the GPIO1 pad will get its value from slot12. When GPIO1 is configured as input and configured as a sticky writing a 1 does nothing, writing a 0 clears this bit. When GPIO1 is configured as input this register reflects the value on the GPIO1 pad after interpretation of the polarity and sticky configurations.			
0	Read / Write	x	GI0	When GPIO0 is configured as output and Register h74 bit[0] = 0 (default), the value of this register will be placed on the GPIO0 pad. When GPIO0 is configured as output and Register h74 bit[0] = 1, the GPIO0 pad will get its value from slot12. When GPIO0 is configured as input and configured as a sticky writing a 1 does nothing, writing a 0 clears this bit. When GPIO0 is configured as input this register reflects the value on the GPIO0 pad after interpretation of the polarity and sticky configurations.			

**7.3. Extended CODEC Registers Page Structure Definition**

Registers 60h-68h are the Extended CODEC Registers: These registers allow for the definition of further capabilities. These bits provide a paged address space for extended CODEC information. The Page Selector bits in the Audio Interrupt and Paging register (Register 24h bits 3:0) control the page of information viewed through this page window.

## STAC9752A/9753A

### AC'97 2.3 CODECs with Stereo Microphone & Universal Jack

#### 7.3.1. *Extended Registers Page 00*

Page 00 of the Extended CODEC Registers is reserved for vendor specific use. Driver writers should not access these registers unless the Vendor ID register has been checked first to ensure that the vendor of the AC '97 component has been identified and the usage of the vendor defined registers understood.

#### 7.3.2. *Extended Registers Page 01*

The usage of Page 01 of the Extended CODEC Registers is defined in Register 24h found in Section 7.1.17: page 58.

#### 7.3.3. *Extended Registers Page 02, 03*

Pages 02 and 03 of the Extended CODEC Registers are reserved for future use.

### 7.4. STAC9752A/9753A Paging Registers

The AC'97 Specification Rev 2.3 uses a paging mechanism in order to increase the number of registers. The registers currently used in the paging are 60h to 6Eh. Additional information about the Extended CODEC Registers, please refer to Section 7.3: page 68.

One of two pages can be made active at any time, set in Register 24h. Register 24h is the Audio Interrupt and Paging Register. Additional details about Register 24h is located in Section 7.1.17: page 58.

If page 00h is active, registers 60h to 6Eh are Vendor Specific.

If page 01h is active, registers 60h to 6Eh have the following functionality:

Reg	NAME	FUNCTION	Location
60h	CODEC Class/Revision	Provides the CODEC Class and a Vendor specified revision identifier.	7.4.1: page 69
62h	PCI SVID	Allows for population by the system BIOS to identify the PCI Sub System Vendor ID.	7.4.2: page 70
64h	PCI SSID	Allows for population by the system BIOS to identify the PCI Sub System ID.	Note:: page 70
66h	Function Select	Provides the type of audio function being selected and which jack conductor the selected value is measured from.	Note:: page 71
68h	Function Information	Includes information about Gain, Inversion, Buffer delays, Information Validity, and Function Information presence.	7.4.5: page 72
6Ah	Sense Register	Includes information about the connector/jack location, Input verses Output sensing, the Order of the sense results, and the TSI specific sense results.	7.4.7: page 74
6Ch		Reserved	
6Eh		Reserved	

#### 7.4.1. *CODEC Class/Rev (60h Page 01h)*

Register 24h must be set to Page 01h to access this register.

# STAC9752A/9753A

## AC'97 2.3 CODECs with Stereo Microphone & Universal Jack

Default: 12xxh

D15	D14	D13	D12	D11	D10	D9	D8
Reserved			CL4	CL3	CL2	CL1	CL0
D7	D6	D5	D4	D3	D2	D1	D0
RV7	RV6	RV5	RV4	RV3	RV2	RV1	RV0

Bit(s)	Reset Value	Name	Description
15-13		Reserved	Reserved -NOT DEFINED
12-8		CL4:CL0	CODEC Compatibility Class (RO) This is a CODEC vendor specific field to define software compatibility for the CODEC. Software reads this field, together with CODEC vendor ID (reg 7C-7Eh), to determine vendor specific programming interface compatibility. Software can rely on vendor specific register behavior to be compatible among vendor CODECs of the same class. 00h - Field not implemented 01h-1Fh - Vendor specific compatibility class code Equals Vendor ID2(Reg 7Eh) bits D7 to D0
7-0		RV7:RV0	Revision ID: (RO) This register specifies a device specific revision identifier. The value is chosen by the vendor. Zero is an acceptable value. This field should be viewed as a vendor defined extension to the CODEC ID. This number changes with new CODEC stepping of the same CODEC ID.

### 7.4.2. PCI SVID (62h Page 01h)

Register 24h must be set to Page 01h to access this register.

Default: FFFFh

D15	D14	D13	D12	D11	D10	D9	D8
PVI15	PVI14	PVI13	PVI12	PVI11	PVI10	PVI9	PVI8
D7	D6	D5	D4	D3	D2	D1	D0
PVI7	PVI6	PVI5	PVI4	PVI3	PVI2	PVI1	PVI0

Bit(s)	Reset Value	Name	Description
15-0		PVI15:PVI0	PCI Sub System Vendor ID: This field provides the PCI Sub System Vendor ID of the Audio or Modem Sub Assembly Vendor (i.e., CNR manufacturer, Motherboard Vendor). This is NOT the CODEC vendor PCI Vendor ID, nor the AC '97 controller PCI Vendor ID. If data is not available, returns FFFFh.

*Note: This register is populated by the BIOS and does not reset on RESET#.*

### 7.4.3. PCI SSID (64h Page 01h)

Register 24h must be set to Page 01h to access this register.

Default: FFFFh

D15	D14	D13	D12	D11	D10	D9	D8
PI15	PI14	PI13	PI12	PI11	PI10	PI9	PI8
D7	D6	D5	D4	D3	D2	D1	D0
PI7	PI6	PI5	PI4	PI3	PI2	PI1	PI0

# STAC9752A/9753A

## AC'97 2.3 CODECs with Stereo Microphone & Universal Jack

Bit(s)	Reset Value	Name	Description
15-0		PI15:PV10	PCI Sub System ID: This field provides the PCI Sub System ID of the Audio or Modem Sub Assembly (i.e., CNR Model, Motherboard SKU). This is NOT the CODEC vendor PCI ID, nor the AC '97 controller PCI ID. Information in this field must be available for AC '97 controller reads when CODEC ready is asserted in AC link.If data is not available, returns FFFFh.

Note: This register is populated by the BIOS and does not reset on RESET#.

### 7.4.4. Function Select (66h Page 01h)

Register 24h must be set to Page 01h to access this register.

Default: 0000h

D15	D14	D13	D12	D11	D10	D9	D8
Reserved							
D7	D6	D5	D4	D3	D2	D1	D0
Reserved			FC3	FC2	FC1	FC0	T/R

Bit(s)	Reset Value	Name	Description
15-5		Reserved	Reserved
4-1	00h	FC3:FC0	Function Code bits: 00h - Line Out (Master Out) 01h - Head Phone Out (AUX Out) Setting the T/R bit to 0 = Left, 1 = Right 02h - DAC 3 (C/LFE) - Not Supported 03h - SPDIF out 04h - Phone In 05h - Mic1 (Mic select = 0) 06h - Mic2 (Mic select = 1) 07h - Line In 08h - CD In 09h - Video In 0Ah - Aux In 0Bh - Mono Out 0C-0Fh - Reserved For supported Jack and Mic Sense Functions, see Table 22: page 72.  The Function Code Bits are used to read Register 68h (Page 01h) and Register 6Ah (Page 01h).  Mono I/O should report relevant sense and function information on Tip, and report not supported on Ring.  Setting the function code to unsupported values will return a 0 when accessing the Information Valid Bit in page 01 register 68h bit 5.
0	0	T/R	Tip or Ring selection Bit.This bit sets which jack conductor the sense value is measured from. Software will program the corresponding the Ring/Tip selector bit together with the I/O number in bits FC[3:0]. 0 - Tip (Left) 1 - Ring (Right)

Note: This register does not reset on RESET#.

Table 22. Supported Jack and Mic Sense Functions

Function Code	I/O	Sense Capability
00h	Line_Out	Jack Sense
01h	Headphone_Out	Jack Sense
05h	Mic1	Mic Sense
06h	Mic2	Mic Sense

7.4.5. Function Information (68h Page 01h)

Register 24h must be set to Page 01h to access this register.

Default: 00xxh, see table 23: page 73.

D15	D14	D13	D12	D11	D10	D9	D8
G4	G3	G2	G1	G0	INV	DL4	DL3
D7	D6	D5	D4	D3	D2	D1	D0
DL2	DL1	DL0	IV	Reserved			FIP

Bit(s)	Reset Value	Name	Description
15	0	G4	Gain Sign Bit: The CODEC updates this bit with the sign of the gain value present in G[3:0]. The BIOS updates this to take into consideration external amplifiers or other external logic when relevant. G[4] indicates whether the value is a gain or attenuation. Gain in the G4 bit is in terms of dB. This bit is Read/Write and only reset on POR and not by RESET#.
14-11	0	G3:G0	Gain Bits: The CODEC updates these bits with the gain value (dB relative to level-out) in 1.5dBV increments. The BIOS updates these to take into consideration external amplifiers or other external logic when relevant. G[0:3] indicates the magnitude of the gain. G[4] indicates whether the value is a gain or attenuation. For Gain/Attenuation settings, see Table 24: page 73. These bits are read/write and are not reset on RESET#.
10		INV	Inversion bit: Indicates that the CODEC presents a 180 degree phase shift to the signal. 0h - No inversion reported 1h - Inverted This bit is read/write and is not reset on RESET#. BIOS should invert for each inverting gain stage.



Bit(s)	Reset Value	Name	Description
9-5		DL4:DL0	<p>Buffer delays: CODEC will provide number a delay measurement for the input and output channels. Software will use this value to accurately calculate audio stream position with respect to what is been reproduced or recorded. These values are in 20.83 <math>\mu</math>sec (1/48000 second) units.</p> <p>For output channels, this timing is from the end of AC Link frame in which the sample is provided, until the time the analog signal appears at the output pin. For input streams, this is from when the analog signal is presented at the pin until the representative sample is provided on the AC Link.</p> <p>Analog in and out paths are not considered as part of this delay.</p> <p>The measurement is a 'typical' measurement, at a 48 KHz sample rate, with minimal in-CODEC processing (i.e., 3D effects are turned off.)</p> <p>00h - Information not provided                      01h...1Eh - Buffer delay in 20.83 <math>\mu</math>sec units                      1Fh - reserved</p> <p>These bits are read/write and are not reset on RESET#.</p> <p>The default value is the delay internal to the CODEC. The BIOS may add to this value the known delays external to the CODEC, such as for an external amplifier.</p>
4	1	IV	<p>Information Valid Bit: Indicates whether a sensing method is provided by the CODEC and if information field is valid. This field is updated by the CODEC.</p> <p>0h--After CODEC RESET# de-assertion, it indicates the CODEC does NOT provides sensing logic and this bit will be Read Only. After a sense cycle is completed indicates that no information is provided on the sensing method.</p> <p>1h--After CODEC RESET# de-assertion, it indicates the CODEC provides sensing logic for this I/O and this bit is Read/Write. After clearing this bit by writing 1, when a sense cycle is completed the assertion of this bit indicates that there is valid information in the remaining descriptor bits. Writing 0 to this bit has no effect.</p> <p>BIOS should NOT write this bit, as it is reset on RESET#.</p>
3-1	0	Reserved	Bit not used, should read back 0
0	NA	FIP	<p>Function Information Present</p> <p>This bit is set to a 1 indicates that the G[4:0], INV, DL[4:0](Register 68h, Page 01h) and ST[2:0](register 6Ah, Page 01h) are supported and R/W capable.</p> <p>This bit is Read Only.</p>

Table 23. Reg 68h Default Values

Reg 66h Function Code	Reg 68h Default Value
00h Line Out	0010h
01h Headphone Out	0010h
05h Mic1	0010h
06h Mic2	0010h
All other Function Codes	0000h

**For RESET#: Reg 68h default value is 0000h.**

Table 24. Gain or Attenuation Examples

G[4:0]	Gain or Attenuation (dB relative to level-out)
00000	0 dBV
00001	+1.5 dBV
01111	+24 dBV
10001	-1.5 dBV
11111	-24 dBV

Table 25. Register 68h/Page 01h Bit Overview

Bit	Bit R/W Overview
D5:D15	Read/Write and only reset on POR (Power on Reset) and not by RESET#.
D4	Read/Write and should NOT be set by the BIOS
D3:1	Reserved
D0	Read Only.

**7.4.6. Digital Audio Control (6Ah, Page 00h)**

To access Register 6Ah, Page 00h must be selected in Register 24h.

Default: 0000h

D15	D14	D13	D12	D11	D10	D9	D8
Reserved							
D7	D6	D5	D4	D3	D2	D1	D0
Reserved					SPOR	DO1	RSVD

Bit(s)	Reset Value	Name	Description
15:3	0	Reserved	Bits not used, should read back 0
2	0	SPOR	Over-ride Register 2Ah, D12 write-lock when SPDIF_EN = 1. All bits except SPDIF sample-rate are affected (D13-D12). Allows for sub-code changing on-the-fly.
1	0	DO1	SPDIF Digital Output Source Selection: DO1 = 0; PCM data from the AC-Link to SPDIF DO1 = 1; ADC record data to SPDIF
0	0	Reserved	Bits not used, should read back 0

**7.4.7. Sense Details (6Ah Page 01h)**

Register 24h must be set to Page 01h to access this register.

Default: NA

D15	D14	D13	D12	D11	D10	D9	D8
ST2	ST1	ST0	S4	S3	S2	S1	S0
D7	D6	D5	D4	D3	D2	D1	D0
OR1	OR0	SR5	SR4	SR3	SR2	SR1	SR1

# STAC9752A/9753A

## AC'97 2.3 CODECs with Stereo Microphone & Universal Jack

Bit(s)	Reset Value	Name	Description
15-13		ST2:ST0	Connector/Jack location bits This field describes the location of the jack in the system. 0h - Rear I/O Panel 1h - Front Panel 2h - Motherboard 3h - Dock/External 4h:6h - Reserved 7h - No Connection/unused I/O These bits are Read/Write.
12-8		S4:S0	Sensed bits meaning relates to the I/O being sense as output or inputs. Sensed bits (outputs): See Table 26: page 75. This field allows for the reporting of the type of output peripheral/device plugged in the jack. Values specified below should be interrogated in conjunction with the SR[5:0] and OR[1:0] bits for accurate reporting. Sensed bits (inputs): See Table 27: page 76. This field allows for the reporting of the type of input peripheral/device plugged in the jack. Values specified below should be interrogated in conjunction with the SR[5:0] and OR[1:0] bits for accurate reporting. This field is Read Only.
7-6		OR1:0	Order Bits. These bits indicate the order the sense result bits SR[5:0] are using. 00 - 10 <sup>0</sup> (i.e., Ohms) 01 - 10 <sup>1</sup> (i.e., 10 Ohms) 10 - 10 <sup>2</sup> (i.e., 100 Ohms) 11 - 10 <sup>3</sup> (i.e., 1K Ohms)
5-0		SR5:SR0	Sense Result bits These bits are used to report a vendor specific fingerprint or value. (Resistance, impedance, reactance, ect). This field is Read Only.

**Table 26. Sensed Bits (Outputs)**

Reported Value	Output Peripheral/Device
0h	Data not valid. Indicates that the reported value(s) is invalid.
1h	No connection. Indicates that there are no connected devices.
2h	Fingerprint. Indicates a specific fingerprint value for devices that are not specified or unknown.
3h	Speakers (8 ohms)
4h	Speakers (4 ohms)
5h	Powered Speakers
6h	Stereo Headphone
7h	Reserved
8h	Reserved
9h	Headset (mono speaker left channel and mic.)
Ah	Other. Allows a vendor to report sensing other type of devices/peripherals. SR[5:0] together with OR[1:0] provide information regarding the type of device sensed.
Bh-Eh	Reserved
Fh	Unknown (use fingerprint)

Table 27. Sensed Bits (Inputs)

Reported Value	Input Peripheral/Device
0h	Data not valid. Indicates that the reported value(s) is invalid.
1h	No connection. Indicates that there are no connected devices.
2h	Fingerprint. Indicates a specific fingerprint value for devices that are not specified.
3h	Microphone (mono)
4h	Reserved
5h	Stereo Line In (CE device attached)
6h	Reserved
7h	Reserved
8h	Reserved
9h	Headset (mono speaker left channel and mic.)
Ah	Other. Allows a vendor to report sensing other type of devices/peripherals. SR[5:0] together with OR[1:0] provide information regarding the type of device sensed.
Bh-Eh	Reserved
Fh	Unknown (use fingerprint)

**7.4.8. Revision Code (6Ch)**

To access Register 6Ch, Page 00h must be selected in Register 24h.

Default: xxxxh

D15	D14	D13	D12	D11	D10	D9	D8
MINORREV							
D7	D6	D5	D4	D3	D2	D1	D0
MAJORREV							

Bit(s)	Reset Value	Name	Description
15:8	00h	MINORREV	Minor Revision ID. These bits are read only and will be updated based on minor device changes which will not require software changes.
7:0	xx	MAJORREV	Major Revision ID. These bits are read only and will be updated based on major device changes.

**7.4.9. Analog Special (6Eh)**

To access Register 6Eh, Page 00h must be selected in Register 24h.

Default: 1000h

D15	D14	D13	D12	D11	D10	D9	D8
Reserved			AC97MIX	Reserved			
D7	D6	D5	D4	D3	D2	D1	D0
RSVD	MUTEFIX DISABLE	ADCSLT1	ADCSLT0	RSVD	MIC GAIN VAL	SPLYOVR EN	SPLYOVR VAL

# STAC9752A/9753A

## AC'97 2.3 CODECs with Stereo Microphone & Universal Jack

Bit(s)	Reset Value	Name	Description
15:13	0	Reserved	Bits not used, should read back 0
12	1	AC97MIX	0 = mixer record contains a mix of all mono and stereo analog input signals, not the DAC (ALL ANALOG mode) 1 = mixer record contains a mix of all mono and stereo analog input signals plus the DAC signal (AC97 mode) This bit only has an effect when either Stereo Mix or Mono Mix is selected as the record source in Reg. 1Ah. The "ALL" mode is useful in conjunction with the POP BYPASS mode (Reg. 20h;D15) to record all analog sources, perform further processing in the digital domain, including combining with other PCM data, and routing through the DACs directly to Line Out, Headphone Out, or Mono Out. A Stereo Mix recording will be affected by the setting of the 3D Effects bit (Reg. 20h;D13)
11:7	0	Reserved	Bits not used, should read back 0
6	0	MUTEFIX DISABLE	0 = MUTE FIX Enabled 1 = MUTE FIX Disabled When this bit is zero, and either channel is set to -46.5dB attenuation, 1Fh, then that channel is fully muted. When this bit is one, then operation is per AC'97 specification.
5:4	0	ADCSLT1:0	Select slots for ADC data on ACLINK 00 = left slot 3, right slot 4 01 = left slot 7, right slot 8 10 = left slot 6, right slot 9 11 = left slot 10, right slot 11
3	0	Reserved	Reserved
2	0	MIC GAIN VAL	Adds +10dB gain to the selected MIC input. Use in conjunction with BOOSTEN (Reg. 0Eh;D6) BOOSTEN MICGAINVAL 0            0            = 0 dB 0            1            = 10 dB 1            0            = 20 dB 1            1            = 30 dB
1	0	SPLYOVR_EN	Supply Override bit allows override of the supply detect. 0 = no override on supply detect 1 = override supply detect with bit 0
0	0	SPLYOVR_VAL	Supply Override Value provides the analog voltage operation values. 0 = force 3.3 V operation 1 = force 5 V operation

### 7.4.10. Analog Current Adjust (72h)

To unlock Register 72h, write 0xABBA to Register 70h.

Default: 0000h

D15	D14	D13	D12	D11	D10	D9	D8
Reserved							
D7	D6	D5	D4	D3	D2	D1	D0
INT APOP	Reserved						

# STAC9752A/9753A

## AC'97 2.3 CODECs with Stereo Microphone & Universal Jack

Bit(s)	Reset Value	Name	Description
15:8	0	Reserved	Reserved
7	0	INT_APOP	0 = Anti Pop Enabled 1 = Anti Pop Disabled The STAC9752A/9753A includes an internal power supply anti-pop circuit that prevents audible clicks and pops from being heard when the CODEC is powered on and off. This function is accomplished by delaying the charge/discharge of the VREF capacitor (Pin 27). $C_{VREF}$ value of 1 $\mu$ F will cause a turn-on delay of roughly 3 seconds, which will allow the power supplies to stabilize before the CODEC outputs are enabled. The delay will be extended to 30 seconds if a value of $C_{VREF}$ value of 10 $\mu$ F is used. The CODEC outputs are also kept stable for the same amount of time at power-off to allow the system to be gracefully turned off. The INT_APOP bit allows this delay circuit to be bypassed for rapid production testing. Any external component anti-pop circuit is unaffected by the internal circuit.
6:0	0	Reserved	Reserved

### 7.4.11. EAPD Access Register (74h)

Default: 0800h

D15	D14	D13	D12	D11	D10	D9	D8
EAPD	Reserved			EAPD_OEN	Reserved		
D7	D6	D5	D4	D3	D2	D1	D0
Reserved					INTDIS	GPIOACC	GPIOSLT12

Bit(s)	Reset Value	Name	Description
15	0	EAPD	EAPD data Enable EAPD data output on EAPD when bit D11 = 1 EAPD data input from pin when bit D11 = 0
14:12	0	Reserved	Bit not used, should read back 0
11	1	EAPD_OEN	EAPD Pin Enable 0 = EAPD configured as input pin 1 = EAPD configured as output pin
10:3	0	Reserved	Bit not used, should read back 0
2	0	INTDIS	Interrupt disable option. Interrupts cleared by writing a 1 to I4 (Reg24h:D15) 0 = will clear both SENSE and GPIO interrupts 1 = will only clear SENSE interrupts. GPIO interrupts will have to be cleared in Reg54h.
1	0	GPIOACC	GPIO ACCESS 0 = ACLINK access from GPIO Pads 1 = ACLINK access from GPIO Register 54h
0	0	GPIOSLT12	0 = GPIO0/1 access via Reg54h when GPIO is set as an output, for input Slot 12 data will be 0h. 1 = GPIO0/1 access via Slot 12 when GPIO is set as an output, for inputs Reg54h will not be updated.  This can only be used if a modem CODEC is not present in the system and using Slot 12.

# STAC9752A/9753A

## AC'97 2.3 CODECs with Stereo Microphone & Universal Jack

### 7.4.12. Register 78h Enable (76h)

Default: 0000h

<b>D15</b>	<b>D14</b>	<b>D13</b>	<b>D12</b>	<b>D11</b>	<b>D10</b>	<b>D9</b>	<b>D8</b>
EN15	EN14	EN13	EN12	EN11	EN10	EN9	EN8
<b>D7</b>	<b>D6</b>	<b>D5</b>	<b>D4</b>	<b>D3</b>	<b>D2</b>	<b>D1</b>	<b>D0</b>
EN7	EN6	EN5	EN4	EN3	EN2	EN1	EN0

### 7.4.13. Universal Jacks™ Selection (78h)

To unlock Register 78h, write 0xABBA to Register 76h.

Default: 0000h

<b>D15</b>	<b>D14</b>	<b>D13</b>	<b>D12</b>	<b>D11</b>	<b>D10</b>	<b>D9</b>	<b>D8</b>
HP SEL		LO SEL		RSVD	LI SEL	MIC SEL	
<b>D7</b>	<b>D6</b>	<b>D5</b>	<b>D4</b>	<b>D3</b>	<b>D2</b>	<b>D1</b>	<b>D0</b>
STMIC SEL	MSPWDN	HP3dB	DACBYHP	DACBYLO	Reserved	Reserved	ADC HPF BYP

Bit(s)	Reset Value	Name	Description
15:14	00	HP SEL	Headphone Amp Selection 00 - HP on pins 39/41 (default) 01 - HP on pins 35/36 10 - Off 11 - Off
13:12	00	LO SEL	Line Out Selection 00 - LO on pins 35/36 (default) 01 - LO on pins 23/24 10 - Off 11 - Off
11	0	RSVD	Reserved
10	00	LI SEL	Line In Selection 0 - LI on pins 23/24 (default) 1 - LI on pins 35/36
9:8	00	MIC SEL	Microphone Selection 00 - MIC on pins 21/22 (default) 01 - MIC on pins 23/24 10 - MIC on pins 35/36 11 - MIC on pins 39/41
7	0	STMIC SEL	Stereo MIC Select 0 - Mono MIC 1 - Stereo MIC
6	0	MSPWDN	MIC Sense Power Down 0 - On 1 - Off
5	0	HP3dB	Headphone 3dB 0 - Off 1 - On

## STAC9752A/9753A

### AC'97 2.3 CODECs with Stereo Microphone & Universal Jack

Bit(s)	Reset Value	Name	Description
4	0	DACBYPHP	Independent DAC bypass for HP Volume (Reg 04h) This can be over ridden by Reg 20h D15, pop bypass 0 - Off 1 - On
3	0	DACBYPLO	Independent DAC bypass for LO Volume (Reg 02h) This can be over ridden by Reg 20h D15, pop bypass 0 - Off 1 - On
2	0	Reserved	Reserved
1	0	Reserved	Reserved
0	0	ADC HPF BYP	0 = Normal operation, (ADC High Pass Filter active) 1 = ADC High Pass Filter Bypass

## 7.5. Vendor ID1 and ID2 (Index 7Ch and 7Eh)

These two registers contain four 8-bit ID codes. The first three codes have been assigned by Microsoft using their Plug and Play Vendor ID methodology. The fourth code is a TSI assigned code identifying the STAC9752A/9753A. The ID1 register (index 7Ch) contains the value 8384h, which is the first (83h) and second (84h) bytes of the Microsoft ID code. The ID2 register (index 7Eh) contains the value 7652h, which is the third (76h) byte of the Microsoft ID code, and 52h which is the STAC9752A/9753A ID code.

### 7.5.1. Vendor ID1 (7Ch)

Default: 8384h

D15	D14	D13	D12	D11	D10	D9	D8
1	0	0	0	0	0	1	1
D7	D6	D5	D4	D3	D2	D1	D0
1	0	0	0	0	1	0	0

### 7.5.2. Vendor ID2 (7Eh)

Default: 7652h

D15	D14	D13	D12	D11	D10	D9	D8
0	1	1	1	0	1	1	0
D7	D6	D5	D4	D3	D2	D1	D0
0	1	0	1	0	0	1	0



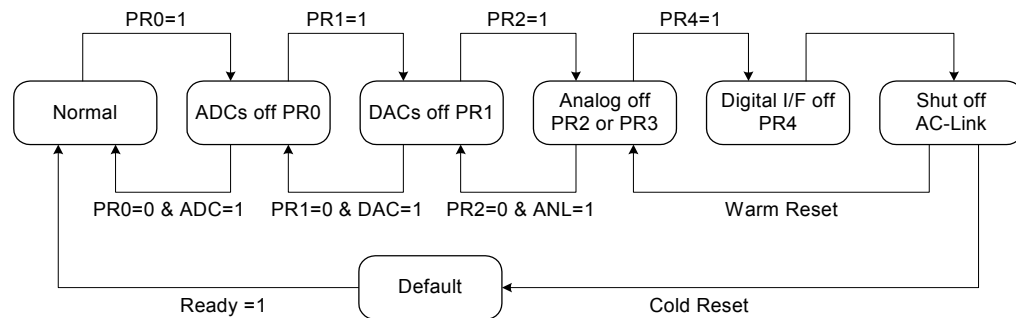
8. LOW POWER MODES

The STAC9752A/9753A is capable of operating at reduced power when no activity is required. The state of power down is controlled by the Powerdown Register (26h). There are seven separate commands of power down. The power down options are listed in Table 28. The first three bits, PR0..PR2, can be used individually or in combination with each other, and control power distribution to the ADCs, DACs and Mixer. The last analog power control bit, PR3, affects analog bias and reference voltages, and can only be used in combination with PR1, PR2, and PR3. PR3 essentially removes power from all analog sections of the CODEC, and is generally only asserted when the CODEC will not be needed for long periods. PR0 and PR1 control the PCM ADCs and DACs only. PR2 and PR3 do not need to be "set" before a PR4, but PR0 and PR1 should be "set" before PR4. PR5 disables the DSP clock and does not require an external cold reset for recovery. PR6 disables the headphone driver amplifier for additional analog power saving.

Table 28. Low Power Modes

GRP Bits	Function
PR0	PCM in ADCs & Input Mux Powerdown
PR1	PCM out DACs Powerdown
PR2	Analog Mixer powerdown (VREF still on)
PR3	Analog Mixer powerdown (VREF off)
PR4	Digital Interface (AC-Link) powerdown (BIT CLK forced low)
PR5	Digital Clock disable, BIT CLK still on
PR6	Powerdown HEADPHONE_OUT

Figure 22. Example of STAC9752A/9753A Powerdown/Powerup Flow



The Figure 22 illustrates one example procedure to do a complete powerdown of STAC9752A/9753A. From normal operation, sequential writes to the Powerdown Register are performed to power down STAC9752A/9753A a section at a time. After everything has been shut off, a final write (of PR4) can be executed to shut down the AC-Link. The part will remain in sleep mode with all its registers holding their static values. To wake up, the AC'97 Controller will send an extended pulse on the sync line, issuing a warm reset. This will restart the AC-Link (resetting PR4 to zero). The STAC9752A/9753A can also be woken up with a cold reset. A cold reset will reset all of the registers to their default states (Paged Registers are semi-exempt). When a section is powered back on, the Powerdown Control/Status register (index 26h) should be read to verify that the section is ready (stable) before attempting any operation that requires it.

# STAC9752A/9753A

## AC'97 2.3 CODECs with Stereo Microphone & Universal Jack

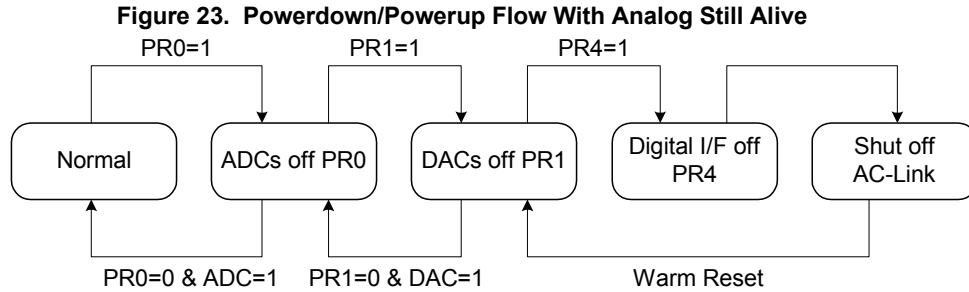


Figure 23 illustrates a state when all the mixers should work with the static volume settings that are contained in their associated registers. This configuration can be used when playing a CD (or external LINE\_IN source) through the STAC9752A/9753A to the speakers, while most of the system in low power mode. The procedure for this follows the previous example, except that the analog mixer is never shut down.

## 9. MULTIPLE CODEC SUPPORT

The STAC9752A/9753A provides support for the multi-CODEC option according to the Intel AC'97, rev 2.3 specification. By definition there can be only one Primary CODEC (CODEC ID 00) and up to three Secondary CODECs (CODEC IDs 01, 10, and 11). The CODEC ID functions as a chip select. Secondary devices therefore have completely orthogonal register sets; each is individually accessible and they do not share registers.

### 9.1. Primary/Secondary CODEC Selection

In a multi-CODEC environment the CODEC ID is provided by external programming of pins 45 and 46 (CID0 and CID1). The CID pin electrical function is logically inverted from the CODEC ID designation. The corresponding pin state and its associated CODEC ID are listed in the "CODEC ID Selection" table. Also see slot assignment discussion, "Multi-Channel Programming Register (Index 74)".

Table 29. CODEC ID Selection

CID1 State	CID0 State	CODEC ID	CODEC Status
DVdd or floating	DVdd or floating	00	Primary
DVdd or floating	0 V	01	Secondary
0 V	DVdd or floating	10	Secondary
0 V	0 V	11	Secondary

#### 9.1.1. Primary CODEC Operation

As a Primary device the STAC9752A/9753A is completely compatible with existing AC'97 definitions and extensions. Primary CODEC registers are accessed exactly as defined in the AC'97 Component Specification and AC'97 Extensions. The STAC9752A/9753A operates as Primary by default, and the external ID pins (45 and 46), have internal pull-ups so that these pins may be left as no-connects for primary operation.

When used as the Primary CODEC, the STAC9752A/9753A generates the master AC-Link BIT\_CLK for both the AC'97 Digital Controller and any Secondary CODECs. The STAC9752A/9753A can support up to four, 10 KW / 50 pF loads on the BIT\_CLK output. This is to ensure that up to four CODEC implementations will not load down the clock output.

#### 9.1.2. Secondary CODEC Operation

When the STAC9752A/9753A is configured as a Secondary device the BIT\_CLK pin is configured as an input at power up. Using the BIT\_CLK provided by the Primary CODEC insures that everything on the AC-Link will be synchronous. As a Secondary device, it can be defined as CODEC ID 01, 10, or 11 in the two-bit field(s) of the Extended Audio and/or Extended Modem ID Register(s).

### 9.2. Secondary CODEC Register Access Definitions

The AC'97 Digital Controller can independently access Primary and Secondary CODEC registers by using a 2-bit CODEC ID field (chip select) which is defined as the LSBs of Output Slot 0. For Secondary CODEC access, the AC'97 Digital Controller must *invalidate* the tag bits for Slot 1 and 2 Command Address and Data (Slot 0, bits 14 and 13) and place a *non-zero* value (01, 10, or 11) into the CODEC ID field (Slot 0, bits 1 and 0).

## STAC9752A/9753A

### AC'97 2.3 CODECs with Stereo Microphone & Universal Jack

As a Secondary CODEC, the STAC9752A/9753A will disregard the Command Address and Command Data (Slot 0, bits 14 and 13) tag bits unless it sees a 2-bit CODEC ID value (Slot 0, bits 1 and 0) that matches its configuration. In a sense the Secondary CODEC ID field functions as an alternative Valid Command Address (for Secondary reads and writes) and Command Data (for Secondary writes) tag indicator.

Secondary CODECs must monitor the Frame Valid bit, and ignore the frame (regardless of the state of the Secondary CODEC ID bits) if it is not valid. AC'97 Digital Controllers should set the frame valid bit for a frame with a secondary register access, even if no other bits in the output tag slot except the Secondary CODEC ID bits are set.

This method is designed to be backward compatible with existing AC'97 controllers and CODECs. There is no change to output Slot 1 or 2 definitions.

**Table 30. Secondary CODEC Register Access Slot 0 Bit Definitions**

Output Tag Slot (16-bits)	
Bit	Description
15	Frame Valid
14	Slot 1 Valid Command Address bit (†Primary CODEC only)
13	Slot 2 Valid Command Data bit (†Primary CODEC only)
12-3	Slot 3-12 Valid bits as defined by AC'97
2	Reserved (Set to "0")
†1-0	2-bit CODEC ID field (00 reserved for Primary; 01, 10, 11 indicate Secondary)

**Note:** † New definitions for Secondary CODEC Register Access

Using three CODECs typically requires a controller to support SDATA\_IN2.

10. TESTABILITY

The STAC9752A/9753A has two test modes. One is for ATE in-circuit test and the other is restricted for TSI's internal use. STAC9752A/9753A enters the ATE in-circuit test mode if SDATA\_OUT is sampled high at the trailing edge of RESET#. Once in the ATE test mode, the digital AC-Link outputs (BIT\_CLK and SDATA\_IN) are driven to a high impedance state. This allows ATE in-circuit testing of the AC'97 controller. Use of the ATE test mode is the recommended means of removing the CODEC from the AC-Link when another CODEC is to be used as the primary. This case will never occur during standard operating conditions. Once either of the two test modes have been entered, the STAC9752A/9753A must be issued another RESET# with all AC-Link signals held low to return to the normal operating mode.

Table 31. Test Mode Activation

SYNC	SDATA_OUT	Description
0	0	Normal AC '97 operation
0	1	ATE Test Mode
1	0	TSI Internal Test Mode
1	1	Reserved

10.1. ATE Test Mode

ATE test mode allows for in-circuit testing to be completed at board level. For this to work, the outputs of the device must be driven to a high impedance state (Z). Internal pullups for digital I/O pins must be disabled in this mode. This mode initiates on the rising edge of RESET# pin. Only a cold reset will exit the ATE Test Mode.

Table 32. ATE Test Mode Operation

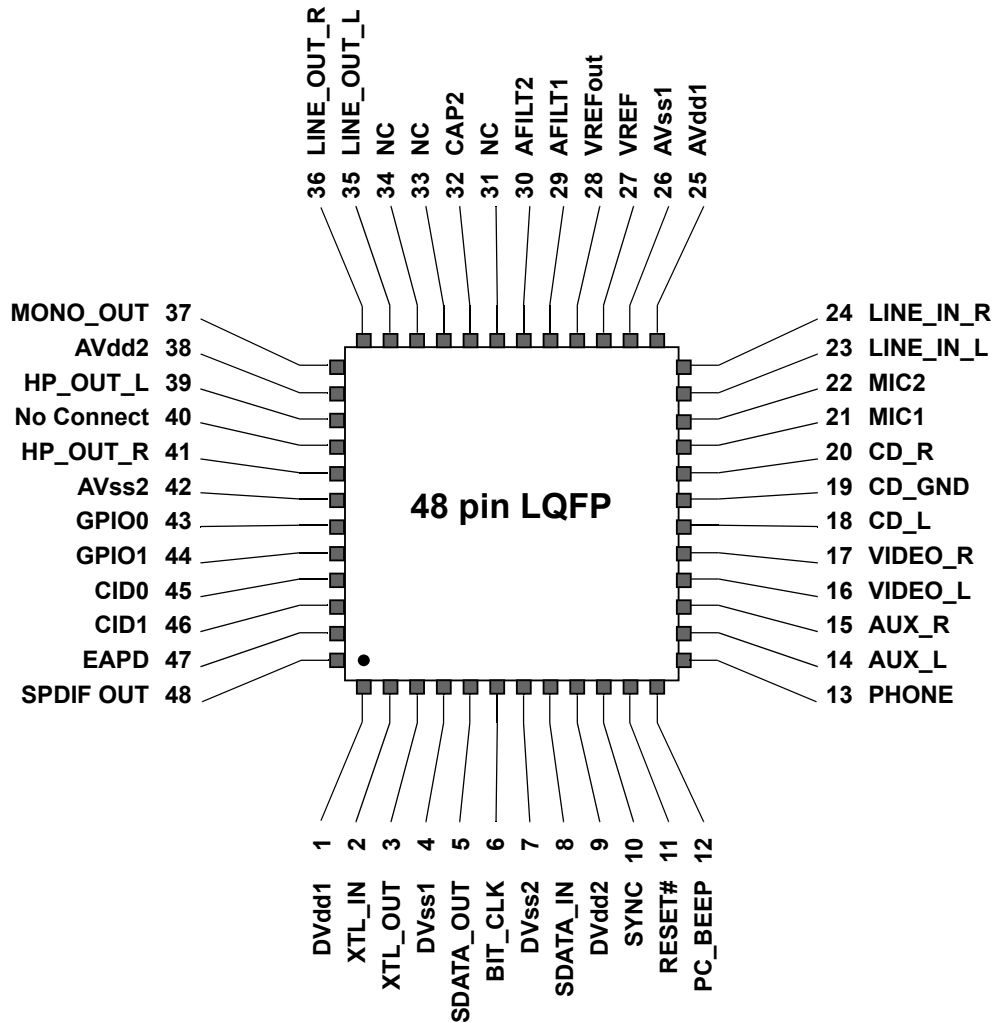
Pin Name	Pin #	Function	Description
SDATA_OUT	5	1	Must be held high at the rising edge of RESET#
BIT_CLK	6	Z	
SDATA_IN	8	Z	
SYNC	10	0	Must be held low at rising edge of RESET#
RESET#	11	1	
N.C.	31	Z	Always an input
N.C.	33	Z	Always an input
N.C.	34	Z	Always an input
GPIO0	43	Z	
GPIO1	44	Z	
CID0	45	Z	
CID1	46	Z	
EAPD	47	Z	
SPDIF	48	Z	

Note: Pins 31, 33, and 34 are NO CONNECTS.

11. STAC9752A/9753A PIN DESCRIPTION

11.1. Pin Description for the 48-pin LQFP Package

Figure 24. Pin Description Drawing



**PIN 48: TO DISABLE SPDIF, USE AN 1 KW - 10 KW EXTERNAL PULLUP RESISTOR.**

Pin 19: The CD\_GND signal is an AC signal return for the two CD input channels. It is normally biased at about 2.5V. The name of the pin in the AC'97 specification is CD\_GND, and this has confused many designers. It should not have any DC path to GND. Connecting the CD\_GND signal directly to ground will change the internal bias of the entire CODEC, and cause significant distortion. If there is no analog CD input, then this pin can be No-Connect.

11.2. Pinout List 48-pin LQFP Package

Table 33. STAC9752A/9753A 48 Pin LQFP Pin List

Pin#	PIN Name	Pin#	Pin Name
1	DVDD	25	AVDD1
2	XTAL_IN	26	AVSS1
3	XTAL_OUT	27	VREF IN
4	DVSS1	28	VREF_OUT
5	SDATA_OUT	29	AFILT1
6	BIT_CLK	30	AFILT2
7	DVSS2	31	N.C.
8	SDATA_IN	32	CAP2
9	DVDD	33	N.C.
10	SYNC	34	N.C.
11	RESET#	35	Line_Out_L
12	PC_BEEP	36	Line_Out_R
13	PHONE	37	MONO
14	AUX_L	38	AVDD2
15	AUX_R	39	HP_L
16	VIDEO_L	40	No Connect
17	VIDEO_R	41	HP_R
18	CD L	42	AVSS3
19	CD GND **	43	GPIO0
20	CD R	44	GPIO1
21	MIC_L	45	CID0
22	MIC_R	46	CID1
23	LINE_IN_L	47	EAPD / GPIO
24	LINE_IN_R	48	S/PDIF-OUT

**PIN 48: TO DISABLE SPDIF, USE AN 1 KW - 10 KW EXTERNAL PULLUP RESISTOR.**

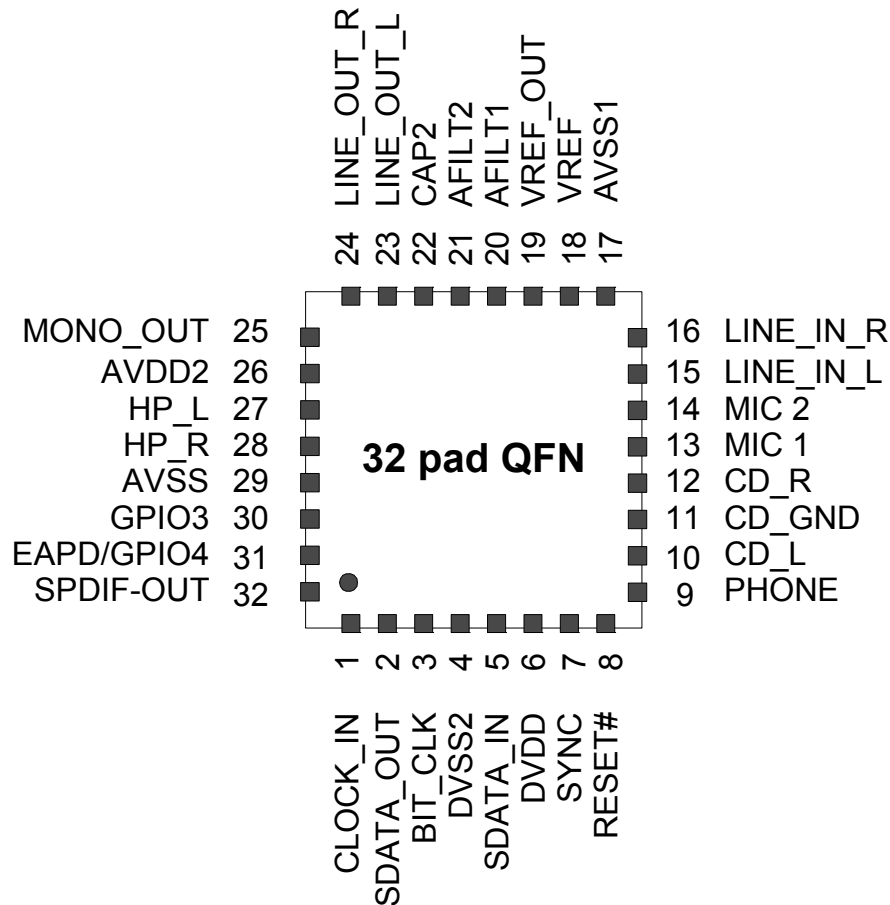
\*\* The CD\_GND signal is an AC signal return for the two CD input channels. It is normally biased at about 2.5V. The name of the pin in the AC'97 specification is CD\_GND, and this has confused many designers. It should not have any DC path to GND. Connecting the CD\_GND signal directly to ground will change the internal bias of the entire CODEC, and cause significant distortion. If there is no analog CD input, then this pin can be No-Connect.

# STAC9752A/9753A

## AC'97 2.3 CODECs with Stereo Microphone & Universal Jack

### 11.3. Pin Description for the 32-pad QFN Package

Figure 25. STAC9752A/9753A 32 pad QFN Pin Description Drawing



**PIN 32: TO DISABLE SPDIF, USE AN 1 KW - 10 KW EXTERNAL PULLUP RESISTOR.**

Pin 11: The CD\_GND signal is an AC signal return for the two CD input channels. It is normally biased at about 2.5V. The name of the pin in the AC'97 specification is CD\_GND, and this has confused many designers. It should not have any DC path to GND. Connecting the CD\_GND signal directly to ground will change the internal bias of the entire CODEC, and cause significant distortion. If there is no analog CD input, then this pin can be No-Connect.



## STAC9752A/9753A

### AC'97 2.3 CODECs with Stereo Microphone & Universal Jack

#### 11.4. Pinout List 32-pad QFN Package

Table 34. STAC9752A/9753A 32 Pad QFN Pin List

Pin#	PIN Name	Pin#	Pin Name
1	CLOCK_IN	17	AVSS1
2	SDATA_OUT	18	VREF IN
3	BIT_CLK	19	VREF_OUT
4	DVSS2	20	AFILT1
5	SDATA_IN	21	AFILT2
6	DVDD	22	CAP2
7	SYNC	23	Line_Out_L
8	RESET#	24	Line_Out_R
9	PHONE	25	MONO
10	CD L	26	AVDD2
11	CD GND **	27	HP_L
12	CD R	28	HP_R
13	MIC 1	29	AVSS3
14	MIC 2	30	GPIO1
15	LINE IN L	31	EAPD / GPIO
16	LINE IN R	32	S/PDIF-OUT

**PIN 32: TO DISABLE SPDIF, USE AN 1 KW - 10 KW EXTERNAL PULLUP RESISTOR.**

Pin 11: The CD\_GND signal is an AC signal return for the two CD input channels. It is normally biased at about 2.5V. The name of the pin in the AC'97 specification is CD\_GND, and this has confused many designers. It should not have any DC path to GND. Connecting the CD\_GND signal directly to ground will change the internal bias of the entire CODEC, and cause significant distortion. If there is no analog CD input, then this pin can be No-Connect.

#### 11.5. STAC9752A/9753A Digital I/O

These signals connect the STAC9752A/9753A to its AC'97 controller counterpart, an external crystal, multi-CODEC selection and external audio amplifier.

Table 35. STAC9752A/9753A Digital Connection Signals

Pin Name	48 LQFP Pin #	32 QFN Pin #	Type	Description	Internal Pull-up /Pull-down
XTL_IN / CLOCK_IN	2	1	I	Clock Input	N/A
XTL_OUT	3	-	I/O	24.576 MHz Crystal	N/A
SDATA_OUT	5	2	I	AC-Link Serial Data output (inbound stream)	N/A
BIT_CLK	6	3	I/O	AC-Link Bit Clock	Pull-down 50K +/- 25%
SDATA_IN	8	5	O	AC-Link Serial Data input, (outbound stream)	N/A
SYNC	10	7	I	AC-Link Frame Sync	N/A

## STAC9752A/9753A

### AC'97 2.3 CODECs with Stereo Microphone & Universal Jack

Table 35. STAC9752A/9753A Digital Connection Signals

Pin Name	48 LQFP Pin #	32 QFN Pin #	Type	Description	Internal Pull-up /Pull-down
RESET#	11	8	I	AC-Link Reset	N/A
GPIO0	43	-	I/O	General Purpose I/O	Pull-up 50K +/- 25%
GPIO1	44	30	I/O	General Purpose I/O	Pull-up 50K +/- 25%
CID0	45	-		Chip ID Select0	Pull-up 50K +/- 25%
CID1	46	-		Chip ID Select1	Pull-up 50K +/- 25%
EAPD/GPIO	47	31	I/O	External Amplifier Power Down General Purpose I/O	Pull-down 50K +/- 25%
SPDIF-OUT	48	32	O	SPDIF digital output	Pull-down 50K +/- 25%

## 11.6. STAC9752A/9753A Analog I/O

These signals connect the STAC9752A/9753A to analog sources and sinks, including microphones and speakers.

Table 36. STAC9752A/9753A Analog Connection Signals

Pin Name	48 LQFP Pin #	32 QFN Pin #	Type	Description	Internal Pull-up /Pull-down
PHONE	13	9	I <sup>^</sup>	Phone Input	N/A
AUX_L	14	-	I <sup>^</sup>	Aux Left Channel	N/A
AUX_R	15	-	I <sup>^</sup>	Aux Right Channel	N/A
VIDEO_L	16	-	I <sup>^</sup>	Video Audio Left Channel	N/A
VIDEO_R	17	-	I <sup>^</sup>	Video Audio Right Channel	N/A
CD_L	18	10	I <sup>^</sup>	CD Audio Left Channel	N/A
CD_GND	19	11	I <sup>^</sup>	CD Audio analog Return (see note 3)	N/A
CD_R	20	12	I <sup>^</sup>	CD Audio Right Channel	N/A
MIC1_L*	21	13	I <sup>^</sup>	Desktop Microphone Input	N/A
MIC1_R*	22	14	I <sup>^</sup>	Second Microphone Input	N/A
LINE_IN_L*	23	15	I*	Line In Left Channel	N/A
LINE_IN_R*	24	16	I*	Line In Right Channel	N/A
LINE_OUT_L*	35	23	O*	Line Out Left Channel (with headphone support)	N/A
LINE_OUT_R*	36	24	O*	Line Out Right Channel (with headphone support)	N/A
MONO_OUT	37	25	O	To telephony subsystem speakerphone	N/A
HP_OUT_L*	39	27	O*	Headphone Out Left Channel	N/A
HP_OUT_R	41	28	O*	Headphone Out Right Channel	N/A

1. <sup>^</sup> any unused input pins should be tied together and connected through a capacitor (0.1  $\mu$ F suggested) to ground, except the MIC inputs which should have their own capacitor to ground if not used.
2. \* Universal Jack™ capable. Only pins 35/36 OR 39/41 may be used to drive headphones. It is not possible to drive 2 sets of headphones at the same time.

## STAC9752A/9753A

### AC'97 2.3 CODECs with Stereo Microphone & Universal Jack

- The CD\_GND signal is an AC signal return for the two CD input channels. It is normally biased at about 2.5V. The name of the pin in the AC'97 specification is CD\_GND, and this has confused many designers. It should not have any DC path to GND. Connecting the CD\_GND signal directly to ground will change the internal bias of the entire CODEC, and cause significant distortion. If there is no analog CD input, then this pin can be No-Connect.

## 11.7. STAC9752A/9753A Filter/References

These signals are connected to resistors, capacitors, or specific voltages.

Table 37. STAC9752A/9753A Filtering and Voltage References

Signal Name	48 LQFP Pin #	32 QFN Pin #	Type	Description	Internal Pull-up /Pull-down
VREF IN	27	18	O	Analog ground	N/A
VREFOUT	28	19	O	Reference Voltage out 5mA drive	N/A
AFILT0	29	20	O	Anti-Aliasign Filter Cap - ADC Right Channel	N/A
AFILT1	30	21	O	Anti-Aliasign Filter Cap - ADC Left Channel	N/A
CAP2	32	20	O	ADC reference Cap	N/A

## 11.8. STAC9752A/9753A Power and Ground Signals

Pin Name	48 LQFP Pin #	32 QFN Pin #	Type	Description	Internal Pull-up /Pull-down
AVdd2	38	26	I	Analog Vdd = 5.0V or 3.3V	N/A
AVss1	26	17	I	Analog Gnd	N/A
AVss3	42	29	I	Analog Gnd	N/A
DVdd2	9	6	I	Digital Vdd = 3.3V	N/A
DVss1	4	-	I	Digital Gnd	N/A
DVss2	7	4	I	Digital Gnd	N/A

Table 38. STAC9752A/9753A Power and Ground Signals

## 11.9. STAC9752A/9753A No Connects

These pins have no function and may be connected to traditional AC97 functions.

Pin Name	48 LQFP Pin #	32 QFN Pin #	Type	Description	Internal Pull-up /Pull-down
N.C.	31	-	-	No Connect	Pull-down 50K +/-25%
N.C.	33	-	-	No Connect	Pull-down 50K +/-25%
N.C.	34	-	-	No Connect	Pull-down 50K +/-25%
N.C.	40	-	-	No Connect	Pin is high impedance, can be left floating

Table 39. STAC9752A/9753A No Connects

## STAC9752A/9753A

### AC'97 2.3 CODECs with Stereo Microphone & Universal Jack

## 12. ORDERING INFORMATION

### Ordering Information

Part Number	Package	Temp Range	Supply Range
STAC9752AXTAEyyX	48-pin RoHS QFP 7mm x 7mm x 1.4mm	0° C to +70° C	DVdd = 3.3V, AVdd = 5.0V
STAC9753AXTAEyyX	48-pin RoHS QFP 7mm x 7mm x 1.4mm	0° C to +70° C	DVdd = 3.3V, AVdd = 3.3V
STAC9752AXNAEyyX	32-pin RoHS QFN 5mm x 5mm x 0.9mm	0° C to +70° C	DVdd = 3.3V, AVdd = 5.0V
STAC9753AXNAEyyX	32-pin RoHS QFN 5mm x 5mm x 0.9mm	0° C to +70° C	DVdd = 3.3V, AVdd = 3.3V

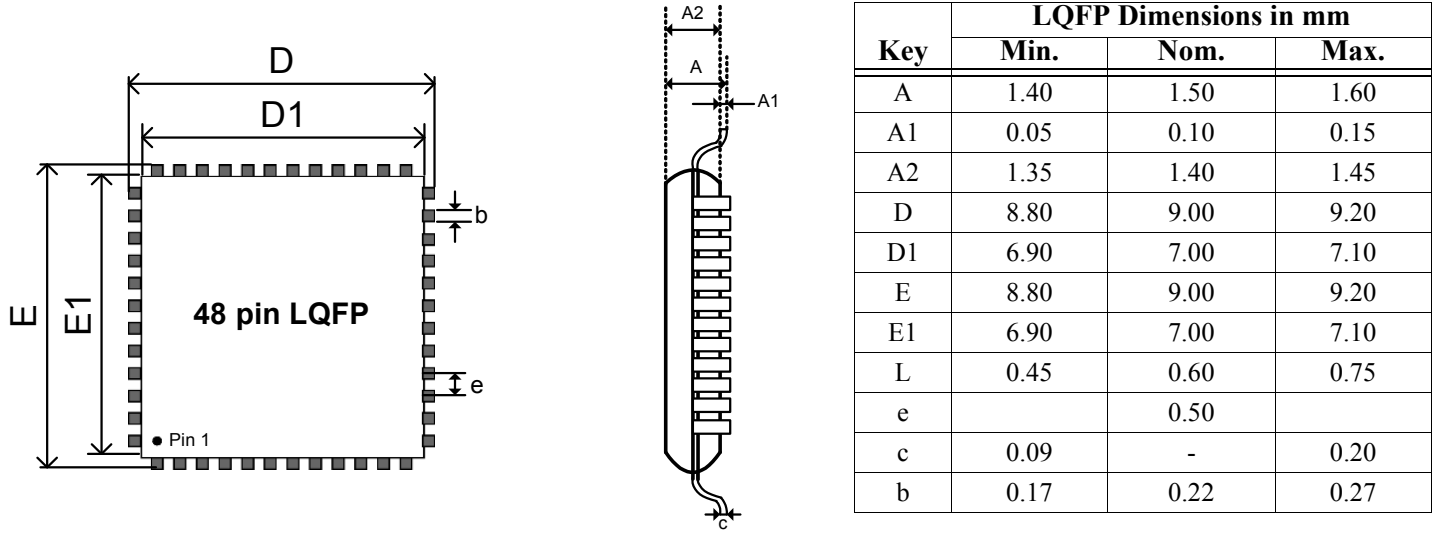
Note: the yy is the revision. Contact sales for current orderable information.

Add an "R" to the end of the part number for tape and reel delivery. MOQ is 2K for 48pin QFP and 2.5K for 32pin QFN.

13. PACKAGE DRAWINGS AND PC BOARD LAYOUT INFORMATION

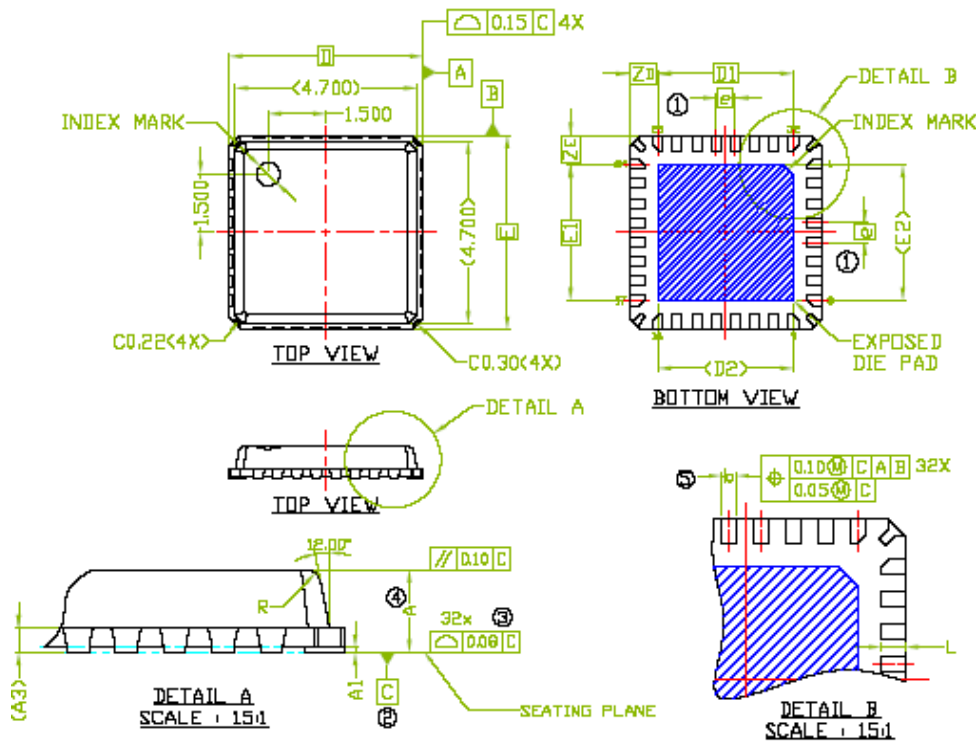
13.1. 48-Pin LQFP

Figure 26. Package Drawing - 48-pin LQFP



13.2. 32-Pad QFN

Figure 27. Package Drawing - 32-pad QFN



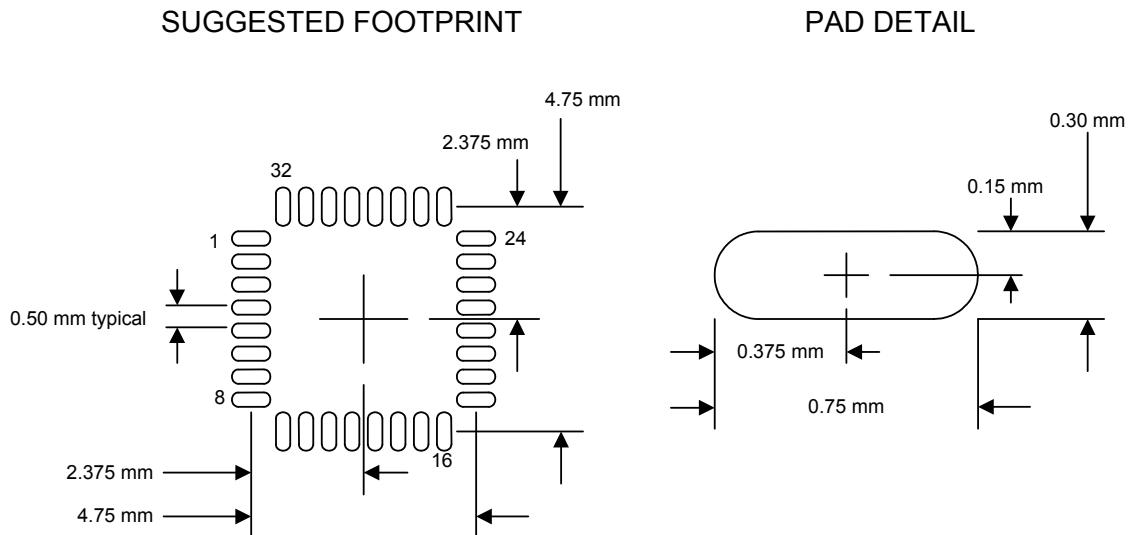
Key	QFN Dimensions in mm		
	Min	Nom	Max
A	-	0.60	0.80
A1	0	0.02	0.05
A3	0.20 REF.		
b	0.18	0.25	0.30
D	5.00 BSC		
D1	3.50 BSC		
E	5.00 BSC		
E1	3.50 BSC		
e	0.50 BSC		
L	0.30	0.40	0.50
D2	3.20	3.50	3.60
E2	3.20	3.50	3.60
ZD	0.75 BSC		
ZE	0.75 BSC		
R	0.20~0.25		

Note:

- ① 'e' REPRESENTS THE BASIC TERMINAL PITCH.
- ② SPECIFIES THE TRUE GEOMETRIC POSITION OF THE TERMINAL AXIS.
- ③ DATUM 'C' IS THE MOUNTING SURFACE, WITH WHICH THE PACKAGE IS IN CONTACT.
- ④ SPECIFIES THE VERTICAL SHIFT OF THE FLAT PART OF EACH TERMINAL FROM THE MOUNTING SURFACE.
- ⑤ DIMENSION 'A' INCLUDES PACKAGE WARPAGE.
- ⑥ DIMENSION 'b' APPLIES TO METALLIZED TERMINAL AND IS MEASURED BETWEEN 0.15mm AND 0.30mm FROM TERMINAL TIP. IF THE TERMINAL HAS THE OPTIONAL RADII ON THE OTHER END OF THE TERMINAL, THE DIMENSION 'b' SHOULD NOT BE MEASURED IN THE RADIUS AREA.
- ⑦ PACKAGE DIMENSIONS CONFORM TO JEDEC MO-220 REV. J, VARIATIONS VH1D-5, EXCEPT FOR D2 & E2.

13.3. PC Board Recommendations for 32-pad QFN Package

Figure 28. Recommended PCB Layout for 32-pad QFN Package



NOTES:

1. Oblong pad is preferred geometry.
2. Oblong pad may be replaced with Rectangular pad of the same overall dimensions.
3. Oblong pad may be replaced with Bullet pad of the same overall dimensions. If a Bullet pad is used, flat shall be to the outside.
4. Solderpaste shall be oblong pad regardless of the pad geometry. Solderpaste opening shall be the same dimensions as pad detail.
5. Recommended solderpaste stencil thickness is 0.127 mm, electropolished.
6. Soldermask is to be 1 mm larger in X- and Y-dimensions.

14. SOLDER REFLOW PROFILE

14.1. Standard Reflow Profile Data

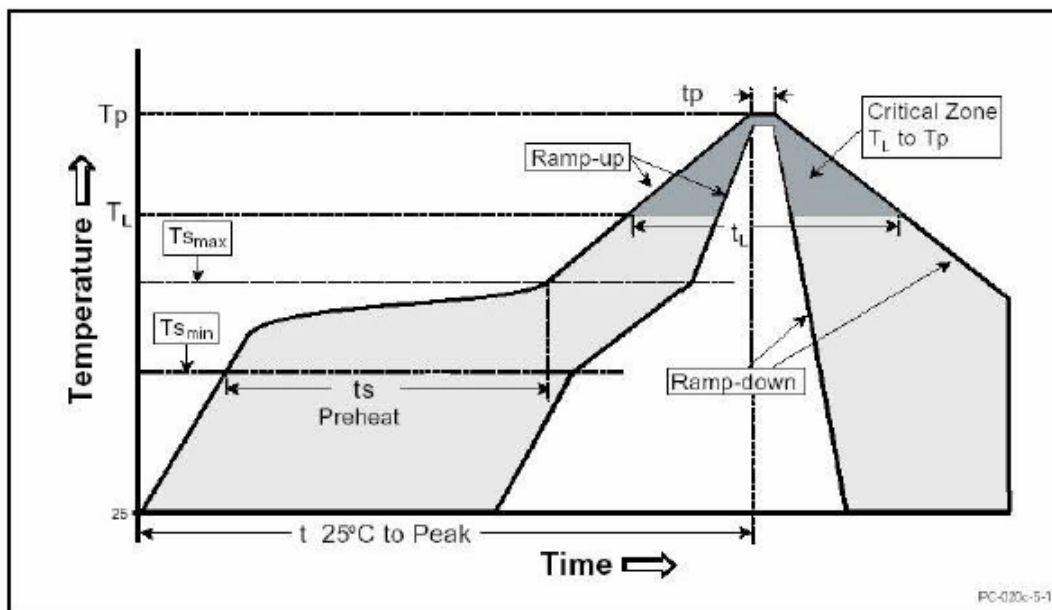
Note: These devices can be hand soldered at 360 °C for 3 to 5 seconds.

**FROM:** IPC / JEDEC J-STD-020C "Moisture/Reflow Sensitivity Classification for Nonhermetic Solid State Surface Mount Devices" ([www.jedec.org/download](http://www.jedec.org/download)).

Profile Feature		Pb Free Assembly
Average Ramp-Up Rate ( $T_{s_{max}} - T_p$ )		3 °C / second max
Preheat	Temperature Min ( $T_{s_{min}}$ )	150 °C
	Temperature Max ( $T_{s_{max}}$ )	200 °C
	Time ( $t_{s_{min}} - t_{s_{max}}$ )	60 - 180 seconds
Time maintained above	Temperature ( $T_L$ )	217 °C
	Time ( $t_L$ )	60 - 150 seconds
Peak / Classification Temperature ( $T_p$ )		See "Package Classification Reflow Temperatures" on page 96.
Time within 5 °C of actual Peak Temperature ( $t_p$ )		20 - 40 seconds
Ramp-Down rate		6 °C / second max
Time 25 °C to Peak Temperature		8 minutes max

**Note: All temperatures refer to topside of the package, measured on the package body surface.**

Figure 29. Reflow Profile



14.2. Pb Free Process - Package Classification Reflow Temperatures

Package Type	MSL	Reflow Temperature
LQFP 48-pin	3	260 °C*
QFN 32-pad	3	260 °C*



15. APPENDIX A: PROGRAMMING REGISTERS

Reg #	Name	D15	D14	D13	D12	D11	D10	D9	D8	D7	D6	D5	D4	D3	D2	D1	D0	Default	
00h	Reset	RSRVD	SE4	SE3	SE2	SE1	SE0	ID9	ID8	ID7	ID6	ID5	ID4	ID3	ID2	ID1	ID0	6A90h	
02h	Master Volume	Mute	RSRVD	ML5	ML4	ML3	ML2	ML1	ML0	Reserved			MR5	MR4	MR3	MR2	MR1	MR0	8000h
04h	HP_OUT Mixer Volume	Mute	RSRVD	HPL5	HPL4	HPL3	HPL2	HPL1	HPL0	Reserved			HPR5	HPR4	HPR3	HPR2	HPR1	HPR0	8000h
06h	Master Volume Mono	Mute	Reserved										MM5	MM4	MM3	MM2	MM1	MM0	8000h
0Ah	PC_BEEP Volume	Mute	X	X	F7	F6	F5	F	F3	F2	F1	F0	PV3	PV2	PV1	PV0	RSRVD	0000h	
0Ch	Phone volume	Mute	Reserved										GN4	GN3	GN2	GN1	GN0	8008h	
0Eh	Mic Volume	Mute	Reserved								boosten	RSRVD	GN4	GN3	GN2	GN1	GN0	8008h	
10h	Line In Volume	Mute	Reserved		GL4	GL3	GL2	GL1	GL0	Reserved			GR4	GR3	GR2	GR1	GR0	8808h	
12h	CD Volume	Mute	Reserved		GL4	GL3	GL2	GL1	GL0	Reserved			GR4	GR3	GR2	GR1	GR0	8808h	
14h	Video Volume	Mute	Reserved		GL4	GL3	GL2	GL1	GL0	Reserved			GR4	GR3	GR2	GR1	GR0	8808h	
16h	AUX Volume	Mute	Reserved		GL4	GL3	GL2	GL1	GL0	Reserved			GR4	GR3	GR2	GR1	GR0	8808h	
18h	PCM Out Volume	Mute	Reserved		GL4	GL3	GL2	GL1	GL0	Reserved			GR4	GR3	GR2	GR1	GR0	8808h	
1Ah	Record Select	Reserved					SL2	SL1	SL0	Reserved					SR2	SR1	SR0	0000h	
1Ch	Record Gain	Mute	Reserved			GL3	GL2	GL1	GL0	Reserved				GR3	GR2	GR1	GR0	8000h	
20h	General Purpose	POP BYP	RSRVD	3D	Reserved			MIX	MS	LPBK	Reserved							0000h	
22h	3D Control	Reserved										DP3	DP2	Reserved		0000h			
24h	Audio Int. & Paging	I4	I3	I2	I1	I0	Reserved							PG3	PG2	PG1	PG0	0000h	
26h	Powerdownn Ctrl/Stat	EAPD	PR6	PR5	PR4	PR3	PR2	PR1	PR0	Reserved				REF	ANL	DAC	ADC	000Fh	
28h	Extended Audio ID	ID1	ID0	Reserved		REV1	REV0	AMAP	LDAC	SDAC	CDAC	DSA1	DSA0	RSVD	SPDIF	DRA	VRA	0A05h	
2Ah	Extended Audio Control/Status	VCFG	PRL/RS VD	PRK/RS VD	PRJ/RS VD	PRI/RS VD	SPCV	MADC/RSVD	LDAC/RSVD	SDAC/RSVD	CDAC/RSVD	SPSA1	SPSA0	VRM/RSVD	SPDIF	DRA/RS VD	VRA	0400h*	
2Ch	PCM DAC Rate	SR15	SR14	SR13	SR12	SR11	SR10	SR9	SR8	SR7	SR6	SR5	SR4	SR3	SR2	SR1	SR0	BB80h	
32h	PCM LR ADC Rate	SR15	SR14	SR13	SR12	SR11	SR10	SR9	SR8	SR7	SR6	SR5	SR4	SR3	SR2	SR1	SR0	BB80h	
3Ah	SPDIF Control	V	DRS	SPSR1	SPSR2	L	CC6	CC5	CC4	CC3	CC2	CC1	CC0	PRE	COPY	#PCM/A UDIO	PRO	2000h	
3Eh	Extended Modem Status	Reserved							PRA	Reserved							GPIO	0100h	
4Ch	GPIO Pin Config	Reserved														GC1 (GPIO1)	GC0 (GPIO0)	0300h	
4Eh	GPIO Pin Polarity/Type	Reserved														GP1 (GPIO1)	GP0 (GPIO0)	FFFFh	
50h	GPIO Pin Sticky	Reserved														GS1 (GPIO1)	GS0 (GPIO0)	0000h	
52h	GPIO Pin Mask	Reserved														GW1 (GPIO1)	GW0 (GPIO0)	0000h	
54h	GPIO Pin Status	Reserved														G1 (GPIO1)	G0 (GPIO0)	0000h	
60h Page 01h	CODEC Class/Rev	Reserved			CL4	CL3	CL2	CL1	CL0	RV7	RV6	RV5	RV4	RV3	RV2	RV1	RV0	12xxh	
62h	VENDOR Reserved																		
62h Page 01h	PCI SVID	PV15	PV14	PV13	PV12	PV11	PV10	PV9	PV8	PV7	PV6	PV5	PV4	PV3	PV2	PV1	PV0	FFFFh	
64h	VENDOR Reserved																		
64h Page 01h	PCI SID	PI15	PI14	PI13	PI12	PI11	PI10	PI9	PI8	PI7	PI6	PI5	PI4	PI3	PI2	PI1	PI0	FFFFh	
66h	VENDOR Reserved																		
66h Page 01h	Function Select	Reserved											FC3	FC2	FC1	FC0	T/R	0000h	
68h	VENDOR Reserved																		
68h Page 01h	Function Information	G4	G3	G2	G1	G0	INV	DL4	DL3	DL2	DL1	DL0	IV	Reserved			FIP	xxxxh	
6Ah	Digital Audio Control	Reserved													SPOR	DO1	RSVD	0000h	
6Ah Page 01h	Sense Details	ST2	ST1	ST0	S4	S3	S2	S1	S0	OR1	OR0	SR5	SR4	SR3	SR2	SR1	SR0	NA	

# STAC9752A/9753A

## AC'97 2.3 CODECs with Stereo Microphone & Universal Jack

Reg #	Name	D15	D14	D13	D12	D11	D10	D9	D8	D7	D6	D5	D4	D3	D2	D1	D0	Default	
6Ch	Revision Code	xxxx																xxxxh	
6Ch Page 01h	Reserved																		
6Eh	Analog Special	Reserved			AC97 ALL MIX	Reserved					MUTE FIX DISABLE	ADC slot1	ADC slot0	RSVD	MIC GAIN VALUE	SPLY OVR EN	SPLY OVR VAL	1000h	
6Eh Page 01h	Reserved																		
70h	VENDOR Reserved																	0000h	
72h	Analog Current Adjust	Reserved								INT APOP	Reserved								0000h
74h	EAPD Access	EAPD	Reserved			EAPD_ OEN	Reserved								INTDIS	GPIO ACC	GPIO SLT12	0800h	
76h	Register 78 Enable	EN15:0																	0000h
78h	Universal Jack™ Select	HP Sel		LO Sel		RSVD	LI Sel	MIC Sel		STMIC SEL	MS PWDN	HP3dB	DAC BYHP	DAC BYLO	RSVD	RSVD	ADC HPF BYP	0000h	
7Ah	Reserved	VENDOR Reserved																	0000h
7Ch	Vendor ID1	1	0	0	0	0	0	1	1	1	0	0	0	0	1	0	0	8384h	
7Eh	Vendor ID2 9752	0	1	1	1	0	1	1	0	0	1	0	0	0	0	1	0	7652h	

\*depends upon chip ID

# STAC9752A/9753A

## AC'97 2.3 CODECs with Stereo Microphone & Universal Jack

### 16. REVISION HISTORY

Revision	Date	Description of Change
0.9		Initial Release
0.91		Corrected Note 4 in performance characteristics, was missing the text "Ratio of Full Scale signal toTHD+N output with -3dB signal, measured "A weighted" over a". Complete note now reads "Ratio of Full Scale signal toTHD+N output with -3dB signal, measured "A weighted" over a 20 Hz to a 20 KHz bandwidth. 48 KHz Sample Frequency".
0.92		Added updated 32-pin package drawing
0.93		Added more 32-pin package information - Recommended PCB Layout. Added pull-up/pull-down column to pin characteristics table.
0.94		Corrected pin 40 LQFP 48-pin package error. It is not a Headphone_Comm, but is a no connect.
1.0		Removed "Preliminary" from the Datasheet.
1.1		Updated 48-pin and 32-pin package drawings. Updated reflow profile information.
1.2		Revised reflow profile information.
1.3		Updated Logo. Updated 32-pin package drawing.
1.4	30 October 2006	Release in IDT format.
1.5	Dec 2006	corrected orderable part numbers and added note.
1.6	October 2014	Released in TSI format



www.temposemi.com  
8627 N. MoPac Expwy Suite 130  
Austin, Texas 78759

DISCLAIMER Tempo Semiconductor, Inc. (TSI) and its subsidiaries reserve the right to modify the products and/or specifications described herein at any time and at TSI's sole discretion. All information in this document, including descriptions of product features and performance, is subject to change without notice. Performance specifications and the operating parameters of the described products are determined in the independent state and are not guaranteed to perform the same way when installed in customer products. The information contained herein is provided without representation or warranty of any kind, whether express or implied, including, but not limited to, the suitability of TSI's products for any particular purpose, an implied warranty of merchantability, or non-infringement of the intellectual property rights of others. This document is presented only as a guide and does not convey any license under intellectual property rights of TSI or any third parties.

TSI's products are not intended for use in life support systems or similar devices where the failure or malfunction of an TSI product can be reasonably expected to significantly affect the health or safety of users. Anyone using an TSI product in such a manner does so at their own risk, absent an express, written agreement by TSI.

Tempo Semiconductor, TSI and the TSI logo are registered trademarks of TSI. Other trademarks and service marks used herein, including protected names, logos and designs, are the property of TSI or their respective third party owners.

Copyright 2014. All rights reserved.