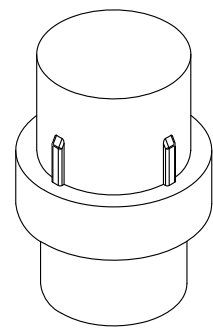
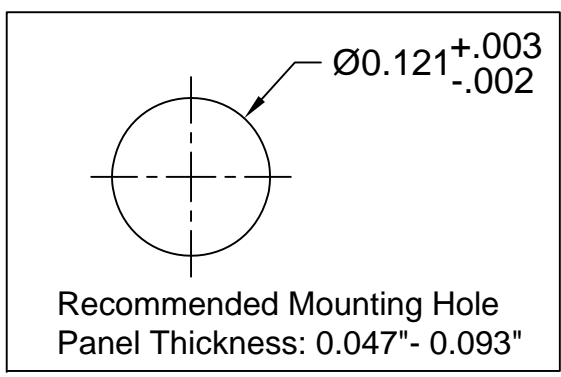
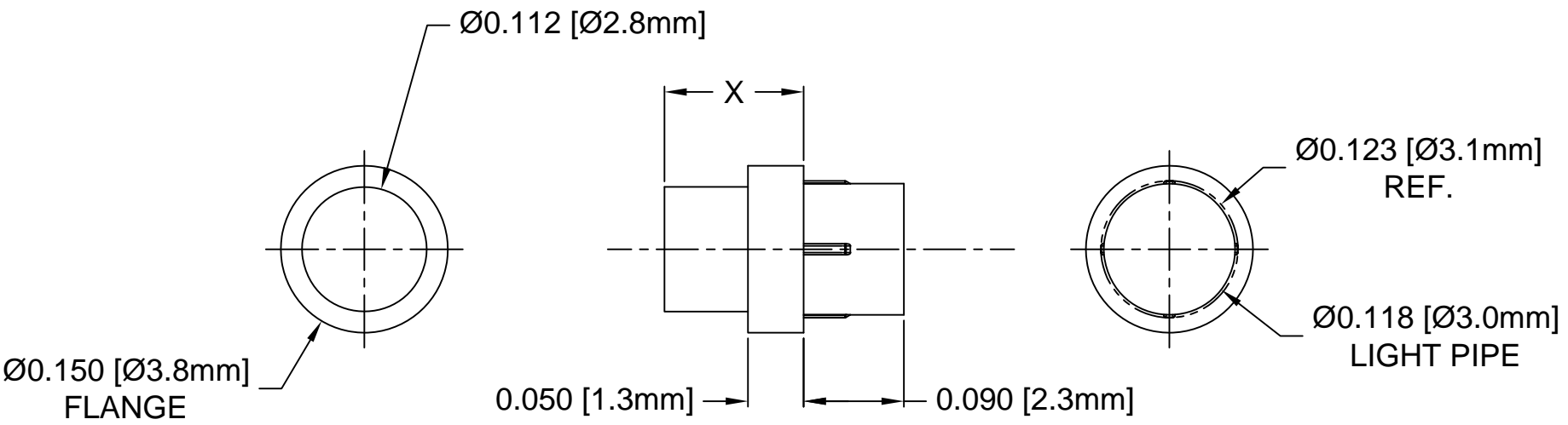


Part No.	X = Body Length
PLP1-100-FD	0.100 ( 2.5mm )
PLP1-125-FD	0.125 ( 3.2mm )
PLP1-2.5MM-FD	2.5mm ( 0.100" )
PLP1-3MM-FD	3mm ( 0.118" )

REV.	DESCRIPTION	DATE	APPROVED
A	Engineering Release	07/15/15	J. C.



- 2. MATERIAL: POLYCARBONATE, 94V-0, WHITE DIFFUSED.
- 1. GENERAL SPECIFICATIONS: BIVAR MOLDED COMPONENT SPECIFICATION BV00-E101 and BSMC-1001.

STANDARD TOLERANCE ( UNLESS OTHERWISE SPECIFIED )		 4 THOMAS, IRVINE, CA. 92618 TEL: (949) 951-8808 FAX: (949) 951-3974	
DECIMALS	ANGULAR		
.X ± .1	X° ± 1°		<b>TITLE:</b> PRESS-FIT, PANEL MOUNT, LIGHT PIPE, FLAT TOP, DIFFUSED
.XX ± .01			
.XXX ± .005		<b>DESIGNED:</b> Brian Oliver	<b>DATE:</b> 04/02/15
<b>CHECKED:</b> A. Wright		<b>DATE:</b> 04/02/15	<b>PART NO:</b> PLP1-XXX-FD
		<b>CAGE CODE :</b> 32559	<b>REVISION:</b> A
		<b>SHEET # 1 OF 1</b>	
CAD GENERATED DOCUMENT. DO NOT MEASURE DRAWING.			