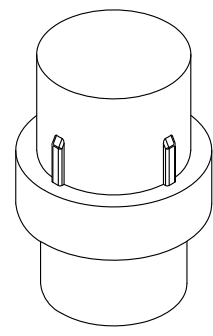
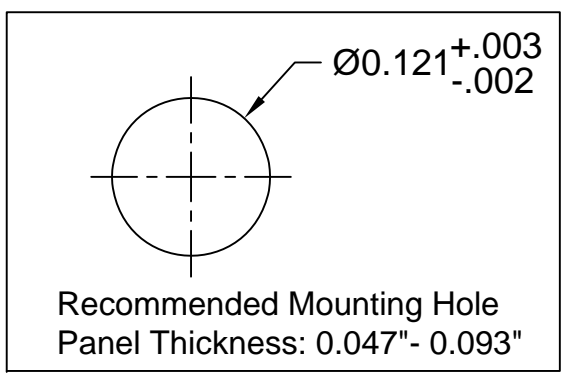
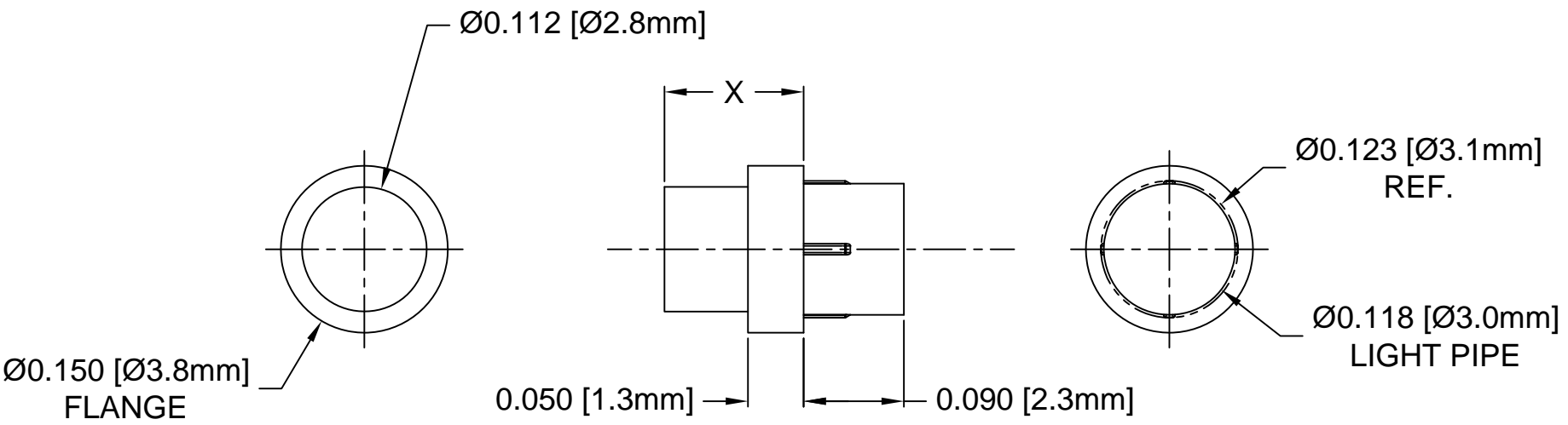

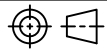


Part No.	X = Body Length
PLP1-100-FD	0.100 (2.5mm)
PLP1-125-FD	0.125 (3.2mm)
PLP1-2.5MM-FD	2.5mm (0.100")
PLP1-3MM-FD	3mm (0.118")

REV.	DESCRIPTION	DATE	APPROVED
A	Engineering Release	07/15/15	J. C.



- 2. MATERIAL: POLYCARBONATE, 94V-0, WHITE DIFFUSED.
- 1. GENERAL SPECIFICATIONS: BIVAR MOLDED COMPONENT SPECIFICATION BV00-E101 and BSMC-1001.

STANDARD TOLERANCE (UNLESS OTHERWISE SPECIFIED)		 4 THOMAS, IRVINE, CA. 92618 TEL: (949) 951-8808 FAX: (949) 951-3974	
DECIMALS	ANGULAR		
.X ± .1	X° ± 1°		TITLE: PRESS-FIT, PANEL MOUNT, LIGHT PIPE, FLAT TOP, DIFFUSED
.XX ± .01			
.XXX ± .005		DESIGNED: Brian Oliver	DATE: 04/02/15
CHECKED: A. Wright		DATE: 04/02/15	PART NO: PLP1-XXX-FD REVISION: A
		CAGE CODE : 32559	SHEET # 1 OF 1
CAD GENERATED DOCUMENT. DO NOT MEASURE DRAWING.			