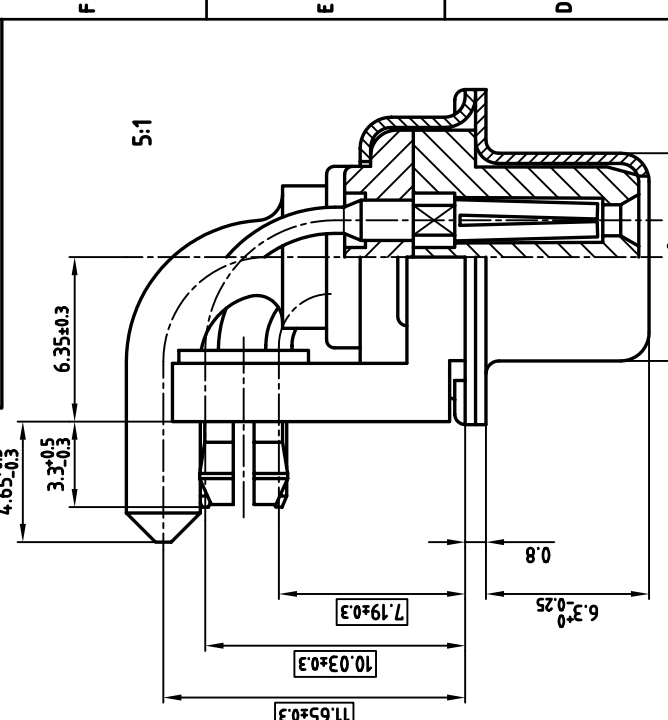


used for: D-SUB COMBINATION



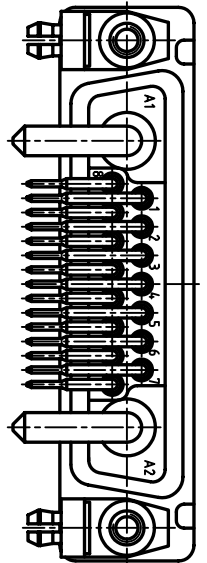
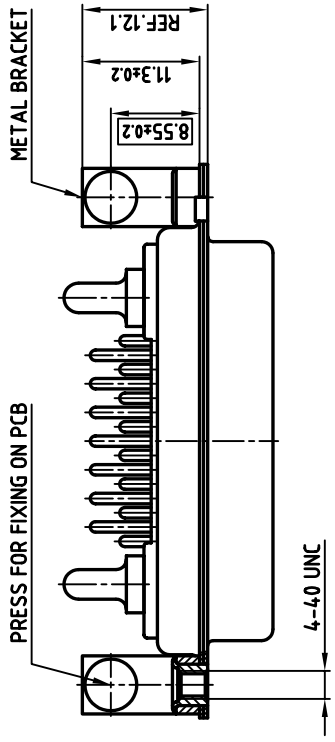
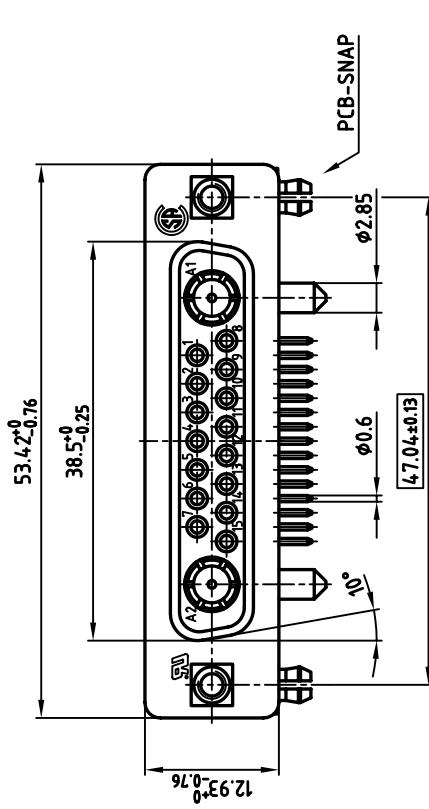
NOTES:

1. METAL SHELLS: STEEL; min. 320µ" TIN
2. INSULATORS: PBT GF UL 94 V-0, GREEN
3. SIGNAL CONTACTS: COPPER ALLOY
4. PLATING: min. 30µ" HARD GOLD OVER min. 50µ" NICKEL
5. HIGH POWER CONTACTS 20A: COPPER ALLOY
6. PLATING: min. 30µ" HARD GOLD OVER min. 50µ" NICKEL
7. METAL BRACKET: STEEL; min. 320µ" TIN over 80µ" NICKEL
8. THREADED INSERT: COPPER ALLOY; min. 200µ" TIN over 80µ" NICKEL
9. PCB-SNAP: COPPER ALLOY; min. 200µ" TIN over 80µ" NICKEL
PCB-HOLE: $\phi 3.1 \pm 0.1$; PCB THICKNESS 1.6mm
10. P.C.B. HOLE DRILLINGS ON SHEET 2
11. MAXIMUM TORQUE VALUE FOR THREAD: 6" LBS
12. = CRITICAL DIMENSION: SPC



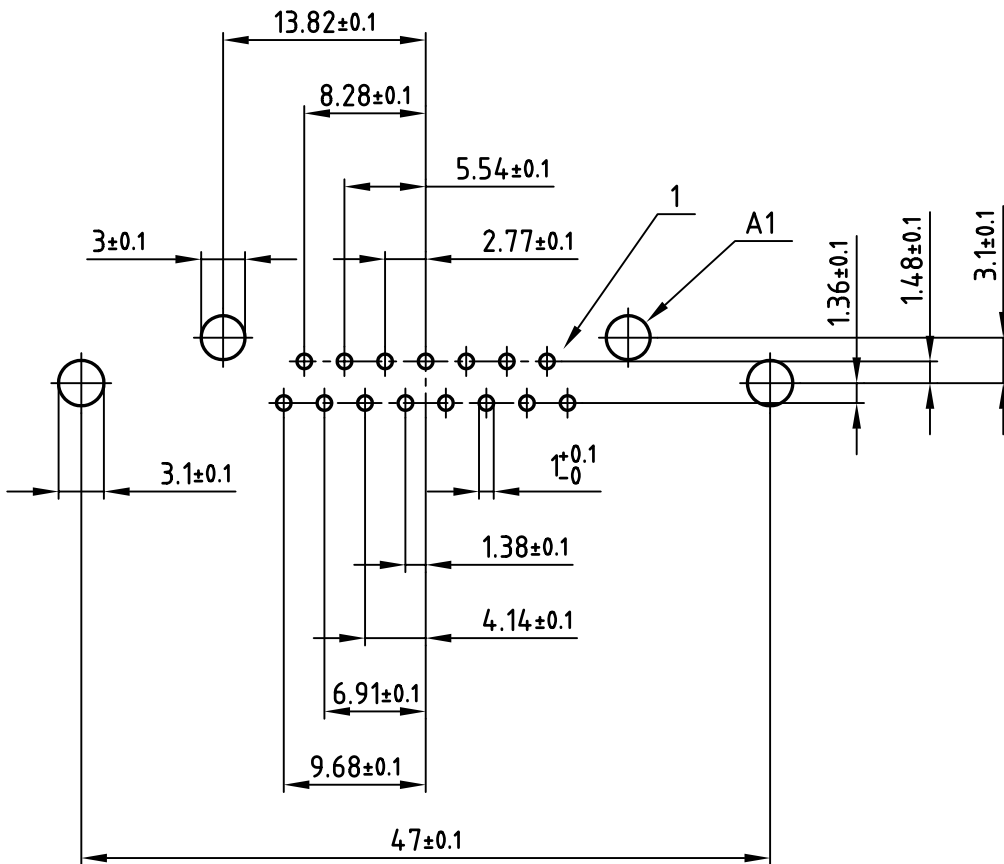
tolerance		scale: 2:1		material: SEE NOTES	
2001	date	name	title:		
drawn	22.08.	Parrel	D-SUB COMBINATION FEMALE 90°		
appd.	22.08.	E. Mickenbecker	17W2S 0.318inch		
norm			with threaded insert, metal bracket and clip		
6-old			dwg no: 13K1A320A		
			AutoCAD 2000 DIN-A		
			3 sh:1/2		
rev. description		date		name	
CONEC®					
part no: 3017W2SCT56N40X					

THIS DRAWING MAY NOT BE COPIED OR REPRODUCED IN ANY WAY, AND MAY NOT BE PASSED ON TO A THIRD PARTY WITHOUT WRITTEN PERMISSION.
OWNERSHIP AND COPYRIGHT OF CONEC GMBH DO NOT ALTER CAD DRAWING BY HAND



1 2 3 4 5 6 7 8

used for: D-SUB COMBINATION



THIS DRAWING MAY NOT BE COPIED OR REPRODUCED IN ANY WAY, AND MAY NOT BE PASSED ON TO A THIRD PARTY WITHOUT WRITTEN PERMISSION.
OWNERSHIP AND COPYRIGHT OF CONEC GmbH
DO NOT ALTER CAD DRAWING BY HAND

rev.	description	date	name

tolerance			
2001	date	name	
drawn	22.08.	Parei	
appd.	22.08.	E. Mickenbecker	
norm			
d-old			

scale:	2:1
material:	SEE SHEET 1
title:	P.C.B. HOLE DRILLINGS FOR D-SUB COMBINATION FEMALE 90° 17W2S with threaded insert, metal bracket and clip
dwg no:	AutoCAD 2000 13K1A320A
part no:	SEE SHEET 1
DIN-A	4
sh:	2/2