

4

3

2

1

THIS DRAWING IS UNPUBLISHED.

RELEASED FOR PUBLICATION

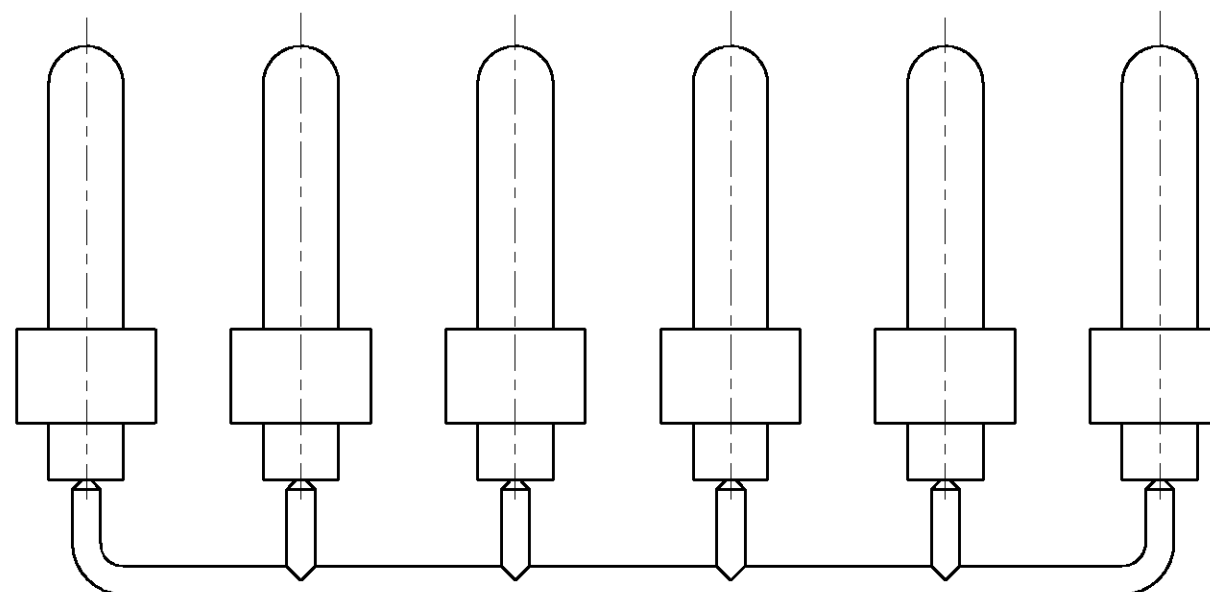
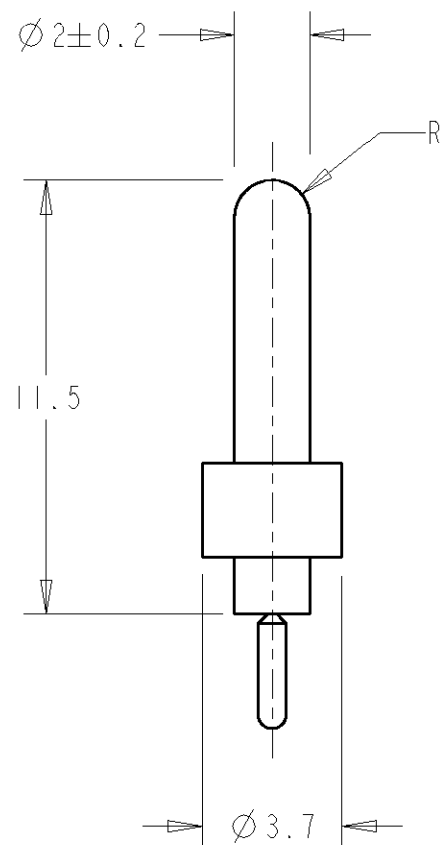
© COPYRIGHT 19

BY TYCO ELECTRONICS CORPORATION. ALL RIGHTS RESERVED.

LOC FT DIST 0

REVISIONS

P	LTR	DESCRIPTION	DATE	DWN	APVD
	D	REACTIVATE EC 0G3B-0033-03	16JAN2003	SW	HW



△ POLYPROPYLENE, COLOR: NATURAL

796075-1

PART NUMBER

<small>THIS DRAWING IS A CONTROLLED DOCUMENT FOR TYCO ELECTRONICS CORPORATION IT IS SUBJECT TO CHANGE AND THE CONTROLLING ENGINEERING ORGANIZATION SHOULD BE CONTACTED FOR THE LATEST REVISION.</small>		DWN D RADLIFF 10NOV97 CHR S. WELDON 25AUG1999 APVD K. DOWHOWER 25AUG1999	AMP AMP Incorporated Harrisburg, PA 17105-3608	
DIMENSIONS: mm	TOLERANCES UNLESS OTHERWISE SPECIFIED: 0 PLC ±- 1 PLC ±0.3 2 PLC ±- 3 PLC ±- 4 PLC ±- ANGLES ±-	PRODUCT SPEC - APPLICATION SPEC - WEIGHT -	NAME PLUG, WIRE ENTRY SEAL	
MATERIAL △	FINISH -	SIZE A3 CAGE CODE 00779 DRAWING NO C-796075	RESTRICTED TO -	
CUSTOMER DRAWING		SCALE 5:1	SHEET 1 OF 1	REV D