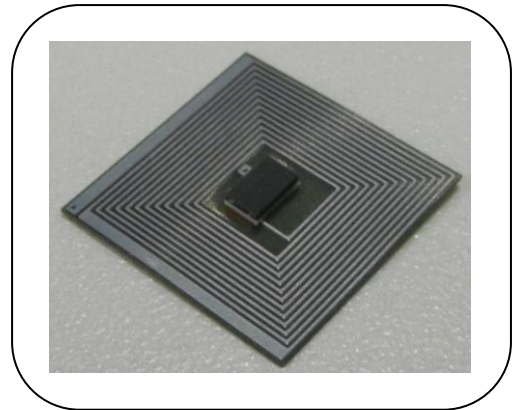


HF MAGICSTRAP® Preliminary Data Sheet LXMSAPHA08-136



1. General Descriptions

HF MAGICSTRAP® is a small size HF band RFID IC module, including embedded antenna. This complies with ISO15693 standard. It can be used globally with high performance even in small form factor.

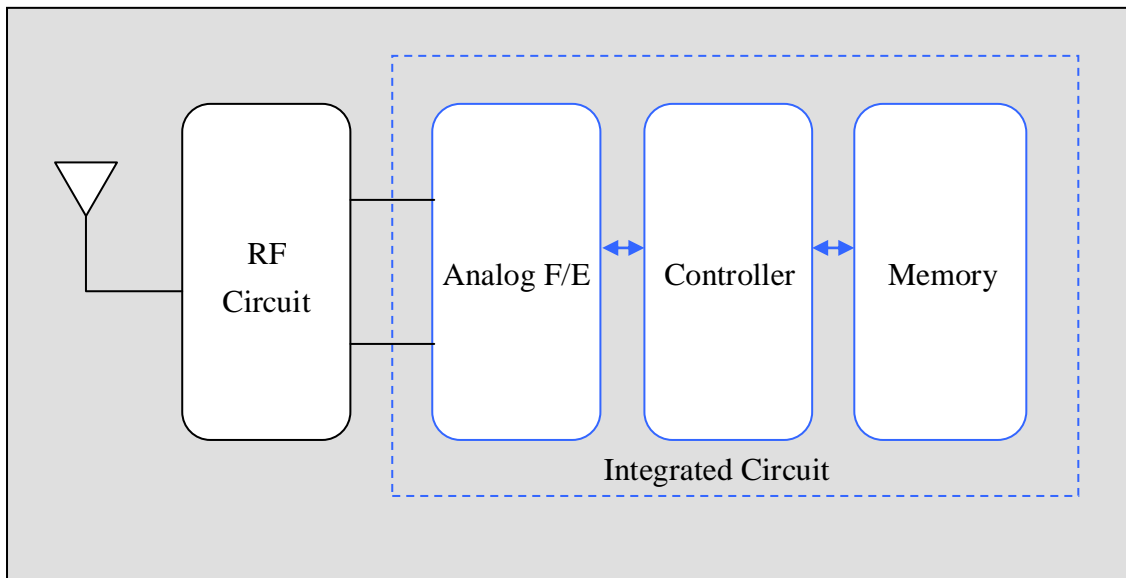


[Features]

- ISO15693 Compliance
- Operating frequency of 13.56MHz
- Embedded antenna
- Using NXP ICODE SLIX (SL2S2002FTB), 896bit user memory
- Small package (8.3X8.3X0.7mm typ.)
- Completely green material and RoHS Compliant.
- Bi-adhesive on the back size to stick best on Polycarbonate material

2. Block Diagram

Figure.1 shows block diagram.



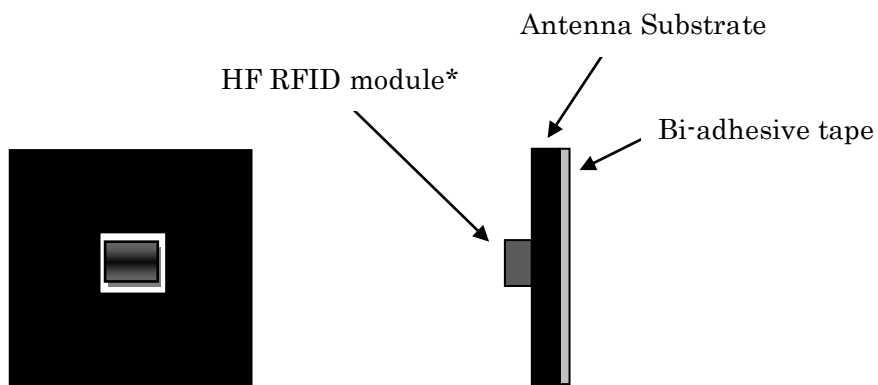
HF MAGICSTRAP® Preliminary Data Sheet LXMSAPHA08-136



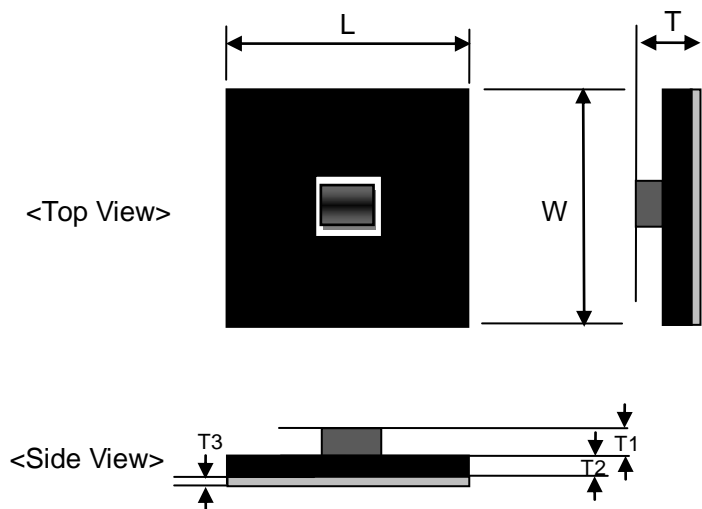
3. Mechanical Information

3-1. Construction and Dimension

[Construction]



[Dimension]



[mm]

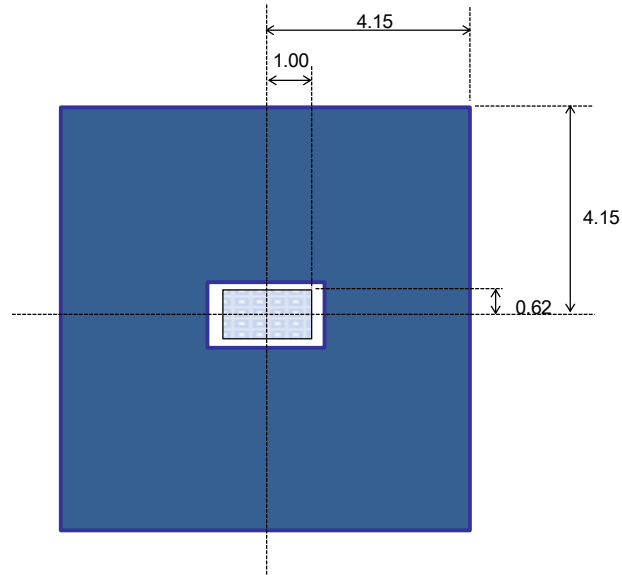
Mark	Dimensions
L	8.3 ± 0.2
W	8.3 ± 0.2
T	0.70 typ. / 0.80 max
T1	0.45 typ.
T2	0.15 typ.
T3	0.10 typ.

Fig.2 Package Dimension

HF MAGICSTRAP® Preliminary Data Sheet
LXMSAPHA08-136



[Drawing]



HF MAGICSTRAP® Preliminary Data Sheet

LXMSAPHA08-136



3-2. Property of bi-adhesive tape

Supplier : Teraoka

P/N : 776P

Adhesive strength :

-18.38 [N/W.25mm]

Material composition :

-Base : nonwoven fabric

-Adhesive : Acrylic

4. Electrical performance

4-1. Reading range (reference only)

40mm*

*Reader/Writer : TI TRF7960 Reference Board

Reader/Writer antenna : 37x54mm on TI TRF7960 Reference Board

Output Power of Reader/Writer : 200mW

4-2. ESD performance (reference only)

Passed +/-2kV (contact discharge), +/-4kV (air discharge)*

*IEC61000-4-2 testing

5. Operating Temperature

-40degC ~ +70degC

6. RoHS compliance

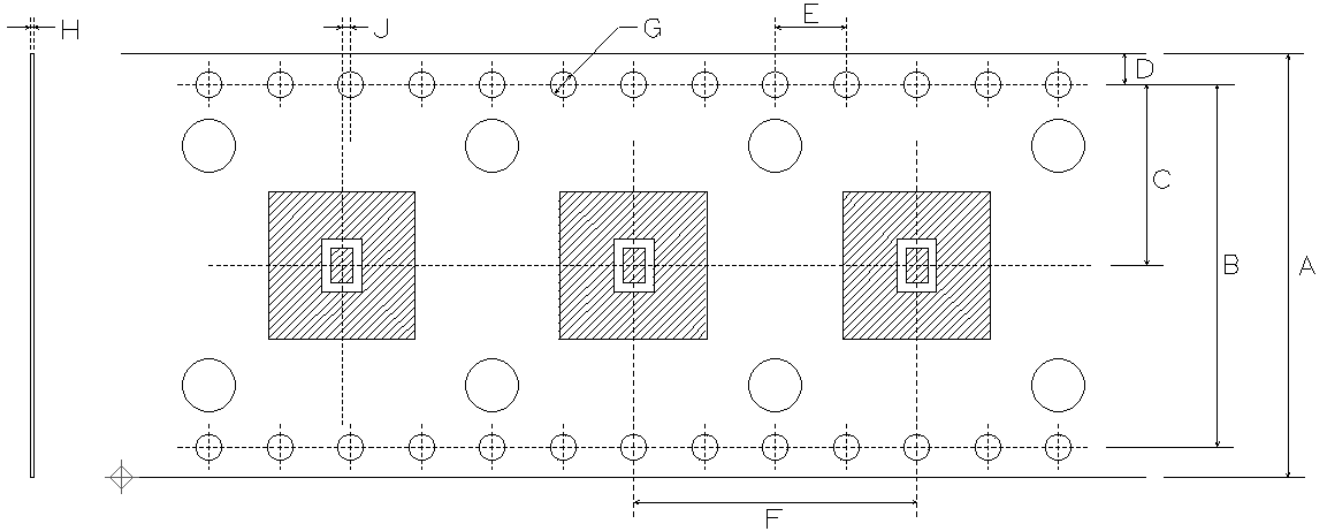
This product is compliant with RoHS directive

HF MAGICSTRAP® Preliminary Data Sheet LXMSAPHA08-136



7. Packing Information

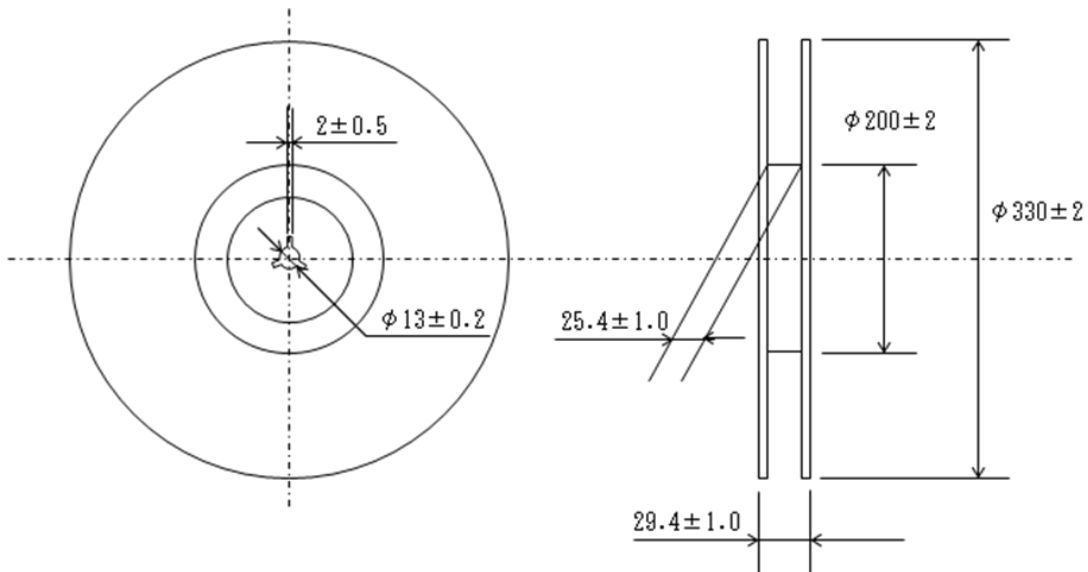
(1) Tag position on carrier sheet



Unit : [mm]

Mark	Dimension	Mark	Dimension
A	24.0±0.3	F	16.0±0.4
B	20.5±0.1	G	φ1.5±0.1
C	10.25±0.3	H	0.08±0.03
D	1.75±0.1	J	0.0±0.3
E	4.0±0.1		

(2) Dimension of Reel

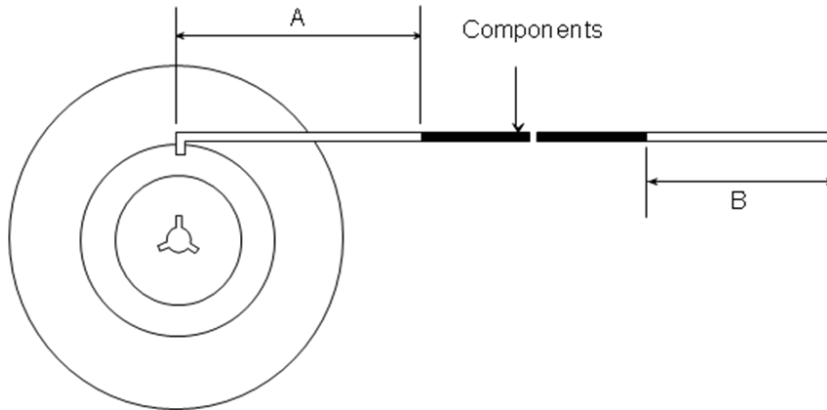


All Rights Reserved, Copyright© Murata Manufacturing Co., Ltd.

HF MAGICSTRAP® Preliminary Data Sheet LXMSAPHA08-136



(3) Leader and Tail tape



Mark	Items	Minimum length (mm)
A	Tail	800-900
B	Leader no cover tape	1900-2000

(4) Packaging unit : 2500 pcs/Reel

(5) Material : Base tapePET
Reel.....Plastic

8. Contents

8-1) This document is tentative version. The content is under development for improvement and may subject to change without notice. When we submit specification and/or approval sheet, these document should replace this technical data.

8-2) "MAGICSTRAP®" is the registered trademark of Murata Manufacturing. Co., Ltd. in Japan.

For any inquiries/queries, please feel free to contact us.

All Rights Reserved, Copyright© Murata Manufacturing Co., Ltd.