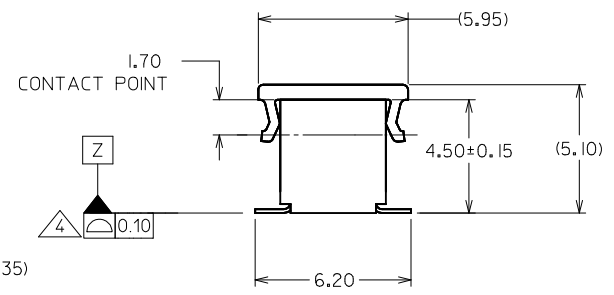
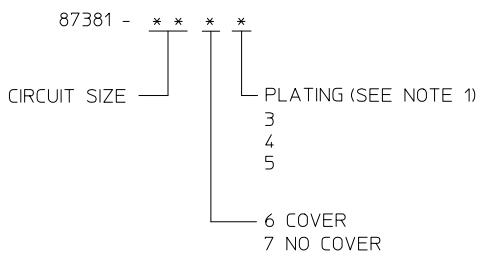


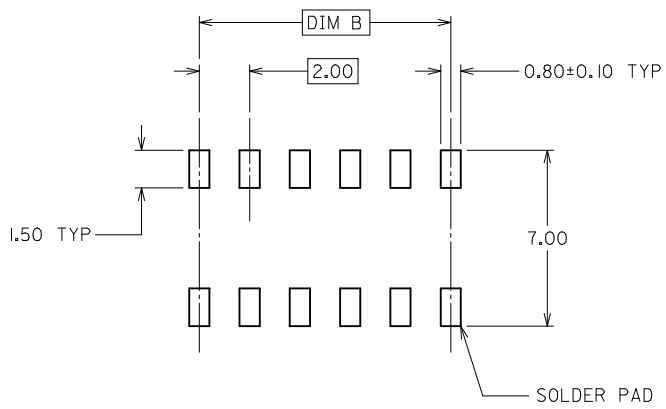
PART NO. LEGEND
FOR TUBE PACKAGING ONLY



| PART NUMBER | CKT. SIZE | DIM A | DIM B | DIM C |
|-------------|-----------|-------|-------|-------|
| 87381-06** | 6 | 6.00 | 4.00 | 0.55 |
| 87381-08** | 8 | 8.00 | 6.00 | 1.55 |
| 87381-10** | 10 | 10.00 | 8.00 | 2.55 |
| 87381-12** | 12 | 12.00 | 10.00 | 3.55 |
| 87381-14** | 14 | 14.00 | 12.00 | 4.55 |
| 87381-16** | 16 | 16.00 | 14.00 | 5.55 |
| 87381-18** | 18 | 18.00 | 16.00 | 6.55 |
| 87381-20** | 20 | 20.00 | 18.00 | 7.55 |
| 87381-22** | 22 | 22.00 | 20.00 | 8.55 |
| 87381-24** | 24 | 24.00 | 22.00 | 9.55 |
| 87381-26** | 26 | 26.00 | 24.00 | 10.55 |
| 87381-28** | 28 | 28.00 | 26.00 | 11.55 |
| 87381-30** | 30 | 30.00 | 28.00 | 12.55 |
| 87381-32** | 32 | 32.00 | 30.00 | 13.55 |
| 87381-34** | 34 | 34.00 | 32.00 | 14.55 |
| 87381-36** | 36 | 36.00 | 34.00 | 15.55 |
| 87381-38** | 38 | 38.00 | 36.00 | 16.55 |
| 87381-40** | 40 | 40.00 | 38.00 | 17.55 |
| 87381-42** | 42 | 42.00 | 40.00 | 18.55 |
| 87381-44** | 44 | 44.00 | 42.00 | 19.55 |
| 87381-46** | 46 | 46.00 | 44.00 | 20.55 |
| 87381-48** | 48 | 48.00 | 46.00 | 21.55 |
| 87381-50** | 50 | 50.00 | 48.00 | 22.55 |

NOTES:

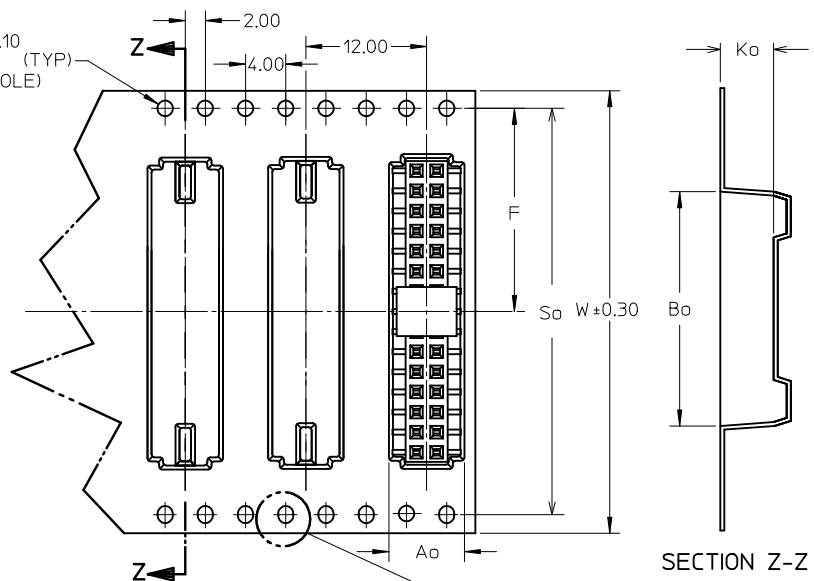
- PLATING FINISH:
 3 - 0.76um MIN. GOLD IN CONTACT AREA 1.27um MIN. TIN
 IN SOLDER TAIL AREA BOTH OVER 1.27um MIN. NICKEL OVERALL
 4 - 0.38um MIN. GOLD IN CONTACT AREA 1.27um MIN. TIN
 IN SOLDER TAIL AREA BOTH OVER 1.27um MIN. NICKEL OVERALL
 5 - 0.05um MIN. GOLD FLASH IN CONTACT AREA 1.90um MIN. TIN
 IN SOLDER TAIL AREA BOTH OVER 1.27um MIN. NICKEL OVERALL
- 12 CKT SIZE SHOWN FOR ASSY ILLUSTRATION ONLY. (SEE CHART FOR ALL PART SIZES), 6 CKT & 30 CKT ILLUSTRATED FOR TAPE/REEL VERSION ON SHT 2.
- PRODUCT SPECIFICATION PS-87380 APPLIES.
- COPLANARITY OF SOLDER TAILS ARE TO BE MEASURED BY RESTING THE PART ON A FLAT GAUGE SURFACE ↑+0.05 UPWARDS AND ↓-0.05 DOWNWARDS.
- TUBE PACKAGING STANDARD.
- COVER IS OPTIONAL, SEE LEGEND.
- PARTS SHALL BE PACKED IN MOISTURE BARRIER BAG.
- REFER SHT 3 FOR P/N: 87381-6000 T&R ILLUSTRATION.



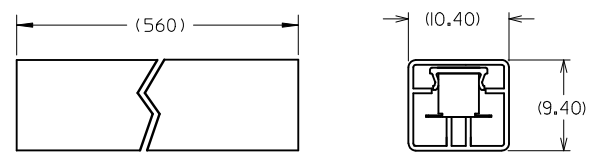
RECOMMENDED PCB LAYOUT

| | | | | | | | |
|--|-------------------|--|----------------------|-----------------|---|--------------------|---|
| REVISE NOTE 4. EC NO: S2012-0026 DRWN:SKANG 2011/07/29 CHKD:ATSEE 2011/08/03 APPR:MLONG 2011/08/03 | QUALITY SYMBOLS | GENERAL TOLERANCES (UNLESS SPECIFIED) | | DIMENSION STYLE | SCALE | DESIGN UNITS | THIRD ANGLE PROJECTION |
| | $F_{\Delta} = 0$ | mm | INCH | MM ONLY | NTS | METRIC | |
| | $F_{\square} = 0$ | 4 PLACES ± --- ± --- | 3 PLACES ± --- ± --- | DRAWN BY | DATE | TITLE | MGRID, TOP ENTRY RECEPT. 4.50MM HT., SMT |
| | $F_{\nabla} = 0$ | 2 PLACES ± 0.20 ± --- | 1 PLACE ± --- ± --- | CHECKED BY | DATE | MOLEX INCORPORATED | |
| REV | DESCRIPTION | ANGULAR ± 3 ° | | APPROVED BY | DATE | MATERIAL NO. | SHEET NO. |
| E11 | | DRAFT WHERE APPLICABLE MUST REMAIN WITHIN DIMENSIONS | | SQUEK | 1999/04/26 | SEE TABLE | 1 OF 4 |
| | | | | SIZE | THIS DRAWING CONTAINS INFORMATION THAT IS PROPRIETARY TO MOLEX INCORPORATED AND SHOULD NOT BE USED WITHOUT WRITTEN PERMISSION | | |
| | | | | A3 | | | |

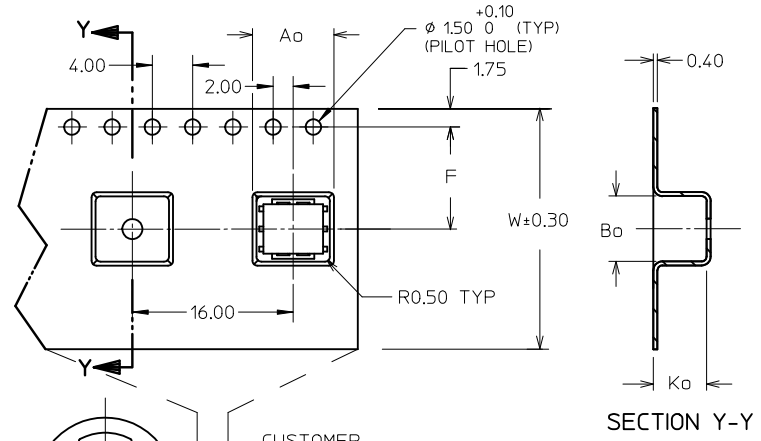
+0.10
 ϕ 1.50 0 (TYP)
 (PILOT HOLE)



CONNECTOR ORIENTATION
 IN TUBE



SECTION Z-Z



SECTION Y-Y

30 CKT FOR ILLUSTRATION ONLY
 TAPE & REEL TYPE 'B'

6 CKT FOR ILLUSTRATION ONLY
 TAPE & REEL TYPE 'A'

NOTES:

- LEADER AND TRAILER TAPE
- PEELING OFF FORCE OF THE TOP TAPE: 20-80gf.
 (PEELING DIRECTION AS SHOWN IN FOLLOWING FIGURE)
- PACKAGING STANDARD IS AS PER EIA-481.
- TAPE & REEL QUANTITY = SEE TABLE

| | | | | | | | | | |
|---|-----------------|---------------------------------------|---------------|----------------------------|---|--------------------|---|------------------------|--|
| REVISE NOTE 4. EC NO: S2012-0026 DRWN:SKANG CHKD:ATSEE APPR:MLONG 2011/07/29 2011/08/03 2011/08/03 | QUALITY SYMBOLS | GENERAL TOLERANCES (UNLESS SPECIFIED) | | DIMENSION STYLE MM ONLY | | SCALE NTS | DESIGN UNITS METRIC | THIRD ANGLE PROJECTION | |
| | $\nabla_A = 0$ | 4 PLACES | mm | INCH | DRAWN BY JAMES | DATE 1998/01/08 | TITLE MGRID, TOP ENTRY RECEPT. 4.50MM HT., SMT | | |
| | $\nabla_C = 0$ | 3 PLACES | ± --- | ± --- | CHECKED BY LCHANG | DATE 1999/04/23 | MOLEX INCORPORATED DOCUMENT NO. SD-87381-***6* SHEET NO. 2 OF 4 | | |
| | $\nabla_P = 0$ | 2 PLACES | ± 0.20 | ± --- | APPROVED BY SQUEK | DATE 1999/04/26 | | | |
| | | 1 PLACE | ± --- | ± --- | MATERIAL NO. SEE TABLE | | THIS DRAWING CONTAINS INFORMATION THAT IS PROPRIETARY TO MOLEX INCORPORATED AND SHOULD NOT BE USED WITHOUT WRITTEN PERMISSION | | |
| | | | ANGULAR ± 3 ° | | DRAFT WHERE APPLICABLE MUST REMAIN WITHIN DIMENSIONS | | | | |

10 9 8 7 6 5 4 3 2 1

F

E

D

C

B

A

F

E

D

C

B

A

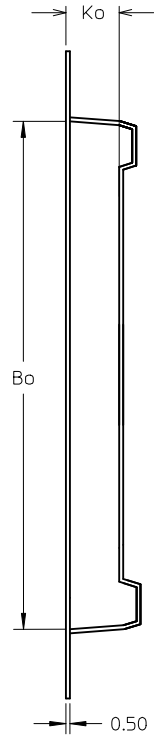
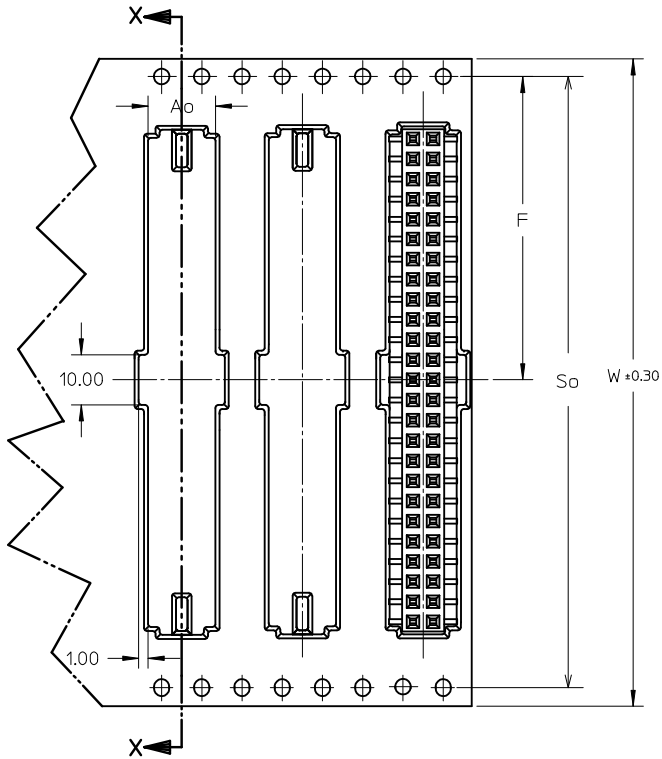
| CKT SIZE | PART NO. WITH CAP IN TUBE | PART NO. WITH CAP IN TAPE / REEL | W | So | Ao | F | Bo | Ko | T&R TYPE (SHT 2) | T&R QTY PER REEL |
|----------|---------------------------|----------------------------------|----|-------|------|-------|-------|------|------------------|------------------|
| 6 | 87381-0664 | 87381-9002 | 24 | - | 7.00 | 11.50 | 6.50 | 5.30 | A | 500 |
| 8 | 87381-0864 | 87381-9003 | 24 | - | 7.00 | 11.50 | 8.50 | 5.30 | A | 600 |
| 10 | 87381-1064 | 87381-9005 | 24 | - | 7.00 | 11.50 | 10.50 | 5.30 | A | 680 |
| 14 | 87381-1464 | 87381-9006 | 32 | 28.40 | 7.20 | 14.20 | 14.50 | 5.30 | B | 750 |
| 16 | 87381-1664 | 87381-9004 | 32 | 28.40 | 7.20 | 14.20 | 16.50 | 5.30 | B | 800 |
| 18 | 87381-1864 | 87381-1800 | 32 | 28.40 | 7.20 | 14.20 | 18.50 | 5.30 | B | 750 |
| 20 | 87381-2063 | 87381-2000 | 32 | 28.40 | 7.20 | 14.20 | 20.50 | 5.30 | B | 800 |
| 22 | 87381-2264 | 87381-2200 | 44 | 40.40 | 7.20 | 20.20 | 22.50 | 5.30 | B | 500 |
| 30 | 87381-3064 | 87381-3000 | 44 | 40.40 | 7.20 | 20.20 | 30.50 | 5.30 | B | 500 |
| 32 | 87381-3264 | 87381-3200 | 44 | 40.40 | 7.20 | 20.20 | 32.50 | 5.30 | B | 500 |
| 34 | 87381-3464 | 87381-3400 | 56 | 52.40 | 7.20 | 26.20 | 34.50 | 5.30 | B | 500 |
| 44 | 87381-4464 | 87381-4400 | 56 | 52.40 | 7.20 | 26.20 | 44.50 | 5.30 | B | 500 |
| 46 | 87381-4664 | 87381-4600 | 72 | 68.40 | 7.20 | 34.20 | 46.50 | 5.30 | B | 750 |
| 50 | 87381-5063 | 87381-5030 | 72 | 68.40 | 7.20 | 34.20 | 50.50 | 5.30 | B | 500 |
| 50 | 87381-5064 | 87381-5000 | 72 | 68.40 | 7.20 | 34.20 | 50.50 | 5.30 | B | 500 |

| | | | | | | | | | |
|--|-----------------|--|---------------------------|----------------------------|---------------------|--|---|--------------------------------|--|
| REVISE NOTE 4. EC NO: S2012-0026 DRWN:SKANG 2011/07/29 CHKD:ATSEE 2011/08/03 APPR:MLONG 2011/08/03 | QUALITY SYMBOLS | GENERAL TOLERANCES (UNLESS SPECIFIED) | | DIMENSION STYLE MM ONLY | | SCALE NTS | DESIGN UNITS METRIC | THIRD ANGLE PROJECTION | |
| | $\nabla_A = 0$ | mm | INCH | DRAWN BY JAMES | DATE 1998/01/08 | TITLE MGRID, TOP ENTRY RECEPT. 4.50MM HT., SMT | | | |
| | $\nabla_C = 0$ | 4 PLACES ± --- | ± --- | CHECKED BY LCHANG | DATE 1999/04/23 | | | | |
| | $\nabla_P = 0$ | 3 PLACES ± --- | ± --- | APPROVED BY SQUEK | DATE 1999/04/26 | MOLEX INCORPORATED | | DOCUMENT NO. SD-87381-***6* | |
| | 2 PLACES ± 0.20 | ± --- | MATERIAL NO. SEE TABLE | | SHEET NO. 3 OF 4 | | | | |
| | 1 PLACE ± --- | ± --- | ANGULAR ± 3 ° | | | | THIS DRAWING CONTAINS INFORMATION THAT IS PROPRIETARY TO MOLEX INCORPORATED AND SHOULD NOT BE USED WITHOUT WRITTEN PERMISSION | | |
| | | DRAFT WHERE APPLICABLE MUST REMAIN WITHIN DIMENSIONS | | | | | | | |

9 8 7 6 5 4 3 2 1

| CKT SIZE | PART NO. WITHOUT CAP IN TUBE | PART NO. WITHOUT CAP IN TAPE / REEL | W | So | Ao | F | Bo | Ko | T&R TYPE (SHT 2) | T&R QTY PER REEL |
|----------|------------------------------|-------------------------------------|----|-------|------|-------|-------|------|------------------|------------------|
| 50 | 87381-5074 | 87381-6000 $\triangle/8$ | 72 | 68.40 | 6.80 | 34.20 | 50.50 | 8.00 | B | 500 |

ILLUSTRATION FOR P/N: 87381-6000
50 CKT IN T&R W/O CAP



SECTION X-X

| | | | | | | | | | |
|---|-----------------|---------------------------------------|--------|--|---------------------------|--------------------|---|------------------------|--|
| REVISE NOTE 4. EC NO: S2012-0026 DRWN:SKANG 2011/07/29 CHKD:ATSEE 2011/08/03 APPR:MLONG 2011/08/03 | QUALITY SYMBOLS | GENERAL TOLERANCES (UNLESS SPECIFIED) | | DIMENSION STYLE MM ONLY | | SCALE NTS | DESIGN UNITS METRIC | THIRD ANGLE PROJECTION | |
| | $\nabla_A = 0$ | 4 PLACES | mm | INCH | DRAWN BY JAMES | DATE 1998/01/08 | TITLE MGRID, TOP ENTRY RECEPT. 4.50MM HT., SMT | | |
| | $\nabla_C = 0$ | 3 PLACES | ± --- | ± --- | CHECKED BY LCHANG | DATE 1999/04/23 | MOLEX INCORPORATED | | |
| | $\nabla_P = 0$ | 2 PLACES | ± 0.20 | ± --- | APPROVED BY SQUEK | DATE 1999/04/26 | | | |
| | | 1 PLACE | ± --- | ± --- | MATERIAL NO. SEE TABLE | | THIS DRAWING CONTAINS INFORMATION THAT IS PROPRIETARY TO MOLEX INCORPORATED AND SHOULD NOT BE USED WITHOUT WRITTEN PERMISSION | | |
| | | ANGULAR ± 3 ° | | DRAFT WHERE APPLICABLE MUST REMAIN WITHIN DIMENSIONS | | | | | |