

PART NAME: KNOB

SCALE: 1:1

DATE: 4/29/88

DR. BY HD



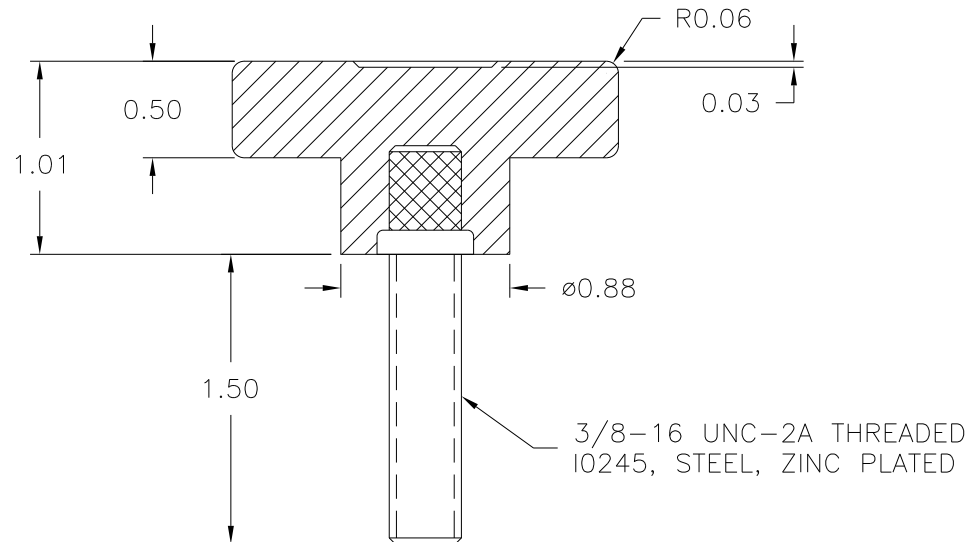
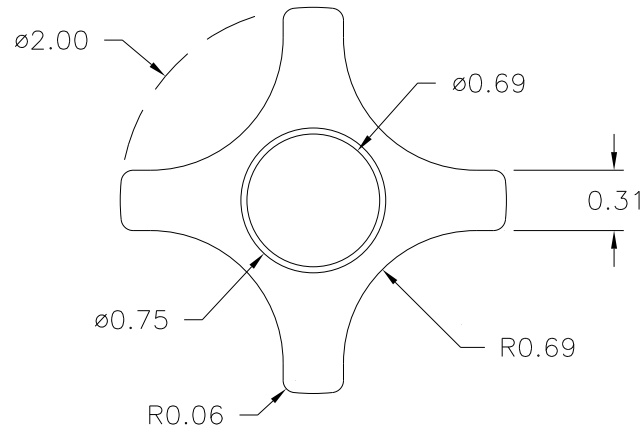
DESIGNERS & MANUFACTURERS OF KNOBS, HANDLES, CASES & CUSTOM PLASTIC COMPONENTS

P/N 2830-T

M^{NO.} 2890-2830

THIS DRAWING IS THE PROPERTY OF DAVIES MOLDING COMPANY, IS SUBMITTED SOLELY AS A DESIGN OR ENGINEERING PROJECT. WE ACCEPT NO RESPONSIBILITY WHATSOEVER FOR THE PRACTICAL APPLICATION OF THE PIECES MADE TO THIS DESIGN.

CAVITY	2830
PLUNGER	2830
PLUNGER PIN	2830
PINS	3000-F
LANDING BAR	.472
PIN PLATE SHIM	.498
SHIM	.018
INSERT	I0245



(A)

MATERIAL: #4311 PLENCO PHENOLIC (B41)
COLOR: BLACK

TOLERANCES: UNLESS OTHERWISE SPECIFIED	DO NOT SCALE DRAWING				
DECIMALS: X.XXX ± .005 X.XX ± .015	MM: X.XX ± 0.15MM X.X ± 0.4MM	A	SHIM WAS .078	ST	5/10/01
		-	RE-DID REDRAW	TL	11/19/99
		-	CAD REDRAW	HD	4/12/93
FRACTIONS ± 1/64	ANG. ± 1°	CHANGES			