

**PLEASE CHECK WWW.MOLEX.COM FOR LATEST PART INFORMATION**

**Part Number:** [0353741810](#)  
**Status:** **Active**  
**Description:** 0.76/2.29mm (.030/090") Tab Wire-to-Wire Duomate Hybrid Female Housing, 18 Circuits

**Documents:**

[Drawing \(PDF\)](#) [RoHS Certificate of Compliance \(PDF\)](#)  
[Product Specification PS-35376-001 \(PDF\)](#)

**General**

Product Family	Crimp Housings
Series	<a href="#">35374</a>
Product Name	N/A

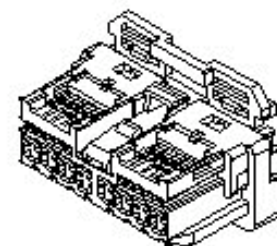
**Physical**

Circuits (maximum)	18
Color - Resin	Natural
Gender	Female
Glow-Wire Compliant	No
Material - Resin	Polyester
Number of Rows	2
Packaging Type	Bag
Panel Mount	No
Pitch - Mating Interface (in)	0.079 In, 0.147 In
Pitch - Mating Interface (mm)	2.00 mm, 3.80 mm
Stackable	No
Temperature Range - Operating	-40°C to +85°C

**Material Info**

**Reference - Drawing Numbers**

Product Specification	PS-35376-001
Sales Drawing	SD-35374-002



*image - Reference only*

*Series*

**EU RoHS**

**ELV and RoHS  
Compliant**  
**REACH SVHC**  
 Not Reviewed  
**Halogen-Free  
Status**

**China RoHS**



**Need more information on product  
environmental compliance?**

Email [productcompliance@molex.com](mailto:productcompliance@molex.com)  
 For a multiple part number RoHS Certificate of Compliance, [click here](#)

Please visit the [Contact Us](#) section for any non-product compliance questions.

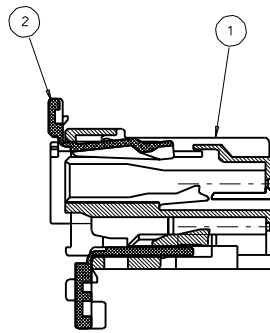
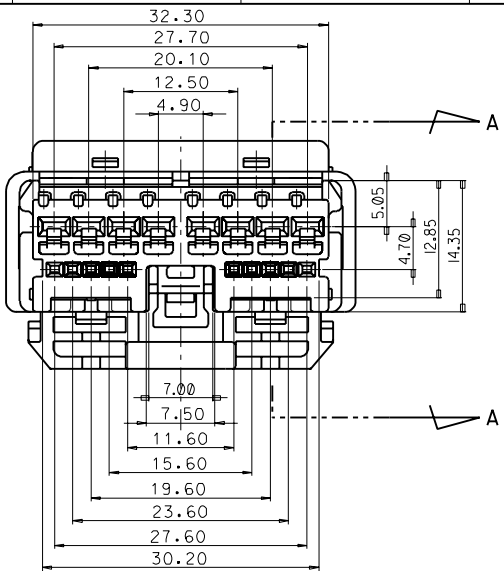
**Search Parts in this Series**  
[35374Series](#)

**Mates With**  
[35376](#)

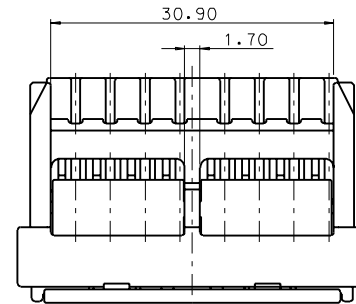
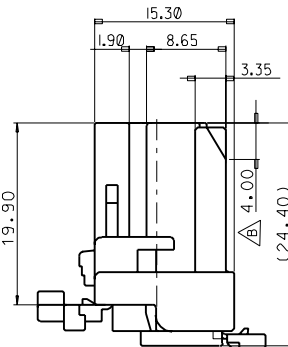
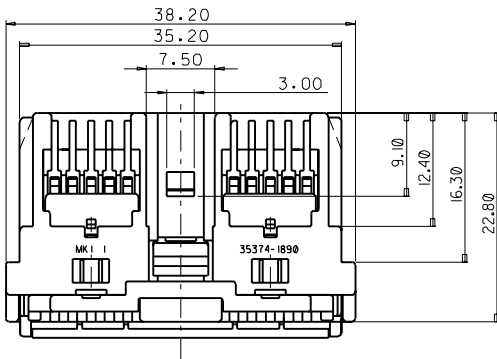
**Use With**  
[35421](#) , [35442](#)

DO NOT SCALE DRAWING DIMENSION IN METRIC

PROJECT NO. C  
SIMILAR ITEM  
EDF NO. V  
PROJECT NO. V  
SIMILAR ITEM  
ENG. NO. SD35374-002  
DWG. NO. SD35374-002



SECTION A-A



NO.	P/NAME	P/NO.	MATERIAL	QTY
①	DUOMATE HYB. TYPE 18P FEMALE HSG	35374-1890	POLYESTER (PBT)	1
②	DUOMATE HYB. TYPE 18P FEMALE TPA	35379-1880	POLYESTER (PBT)	1

NOTES

- MATING TERMINAL PART NO :  
DUOMATE (O30) TYPE : 35442-1702  
UNICONN (O90) TYPE : 35421-6702, 35421-6802, 35421-6902
- MATING CONNECTOR PART NO : 35376-1810
- TERMINAL RETENTION FORC (COMBINED) : 10kgf MIN.

NEW RELEASE EC NO. DRAWING Y.S.K.KIMM 96/06/19 CHK: APPR:	DESCRIPTION MAJOR CRITICAL	GENERAL TOLERANCES: (UNLESS SPECIFIED)		SCALE	DESIGN	MATERIAL	THIRD ANGLE PROJECTION	DIMENSIONS:	SHT	REV
		mm	INCH	2:1	<input checked="" type="checkbox"/> DIM	<input type="checkbox"/> INCH	<input type="checkbox"/> INCH	<input checked="" type="checkbox"/> DIM <input type="checkbox"/> INCH <input type="checkbox"/> MM <input checked="" type="checkbox"/> MOLEX-KOREA		
A	4 PLACES	±0.20	±	DRAWN BY & DATE Y.S.K.KIMM 96/06/19	GENERAL TOLERANCE DIMENSION :		DUOMATE HYBRID TYPE 18P			
	3 PLACES	±0.20	±	CHECKED BY & DATE B.C.CHOI 96/06/19	DIMENSION CLASSIFICATION		FEMALE CONNECTOR ASS'Y			
	2 PLACES	±0.20	±	APPROVED BY & DATE C.W.LEE 96/06/19	REFERENCE		MOLEX INCORPORATED			
	1 PLACE	±0.20	±		CAD FILE NAME		MOLEX INCORPORATED			
					CAD FILE NAME S35374.FB		MATERIAL NO. 35374-1890	DRAWING NO. SD35374-002	SHEET 1/1	REVISE B
DRAFT WHERE APPLICABLE MUST REMAIN IN DIMENSION CAD		THIS DRAWING CONTAINS INFORMATION THAT IS PROPRIETARY TO MOLEX INCORPORATED AND SHOULD NOT BE USED WITHOUT WRITTEN PERMISSION.		THIS DRAWING CONTAINS INFORMATION THAT IS PROPRIETARY TO MOLEX (KOREA) AND SHOULD NOT BE USED WITHOUT WRITTEN PERMISSION.		THIS DRAWING CONTAINS INFORMATION THAT IS PROPRIETARY TO MOLEX (KOREA) AND SHOULD NOT BE USED WITHOUT WRITTEN PERMISSION.		THIS DRAWING CONTAINS INFORMATION THAT IS PROPRIETARY TO MOLEX (KOREA) AND SHOULD NOT BE USED WITHOUT WRITTEN PERMISSION.		