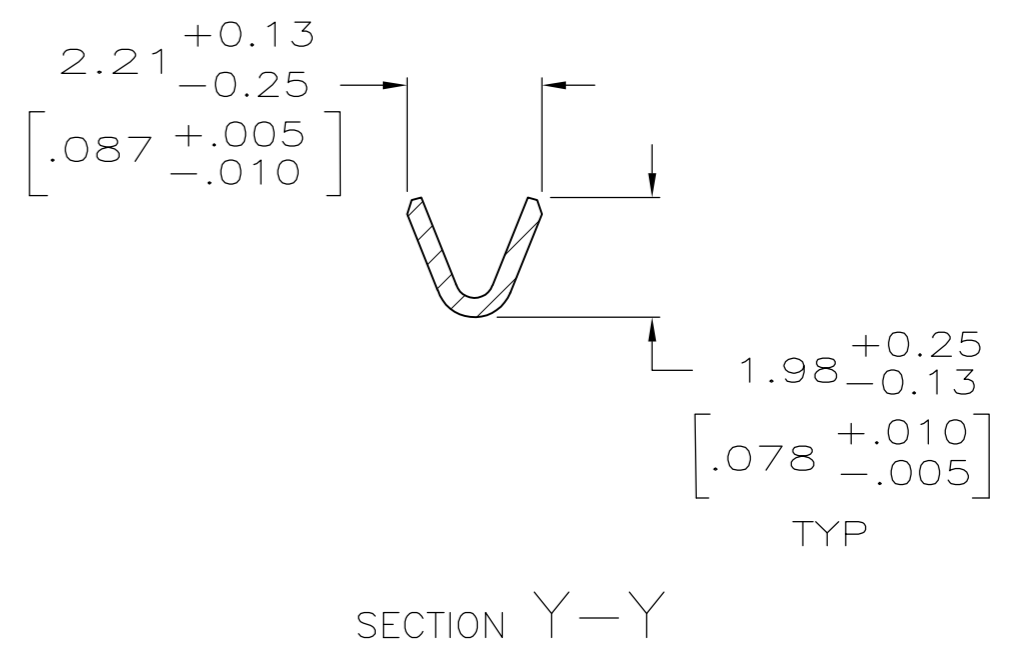
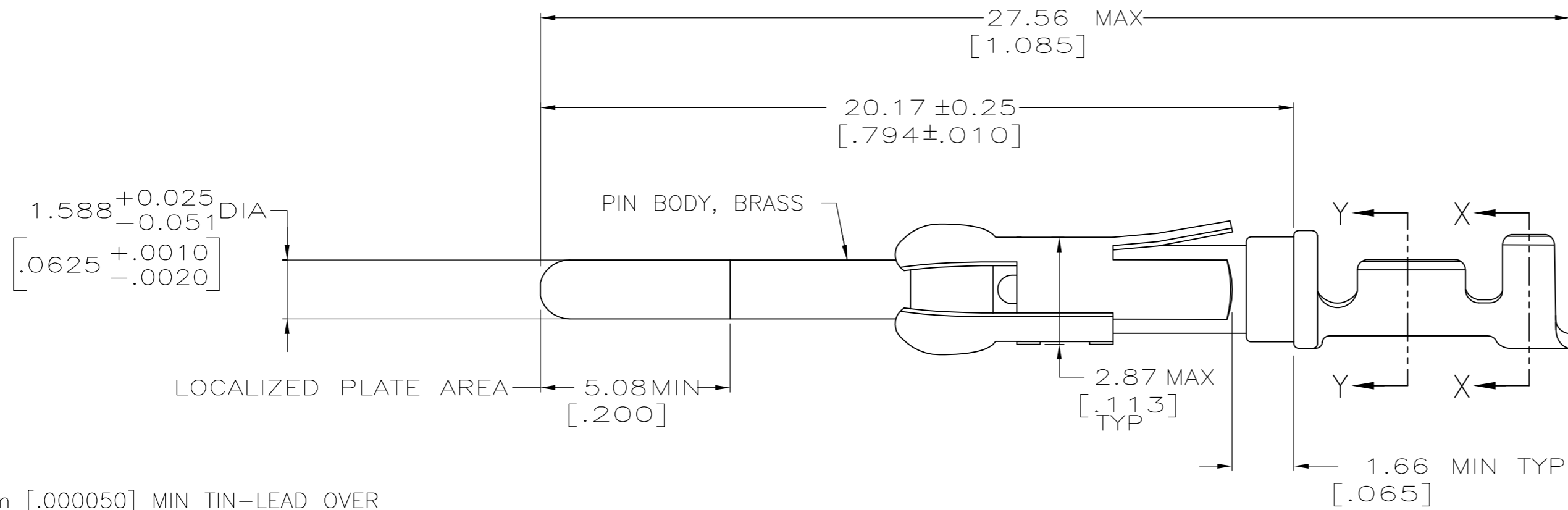
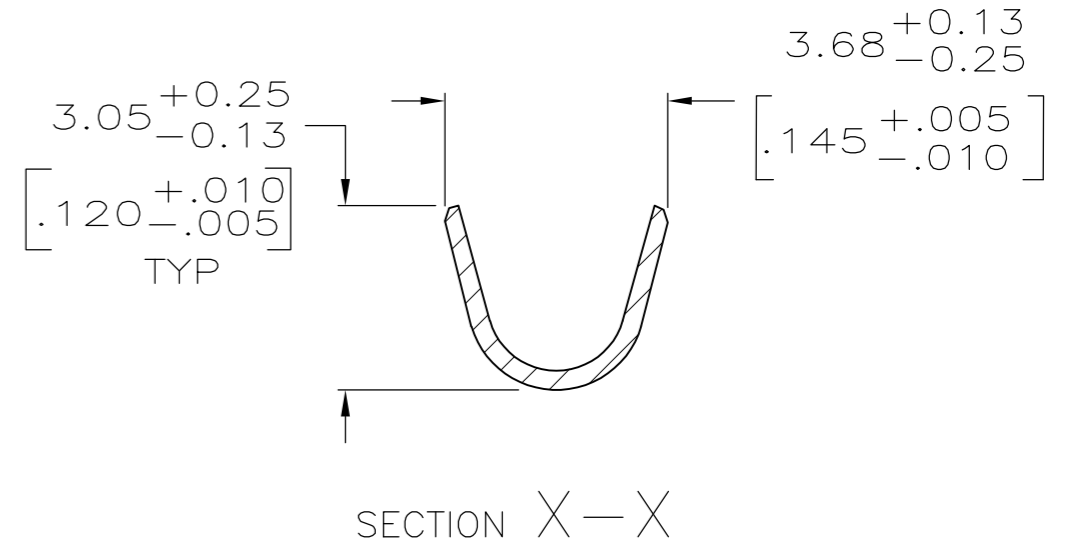
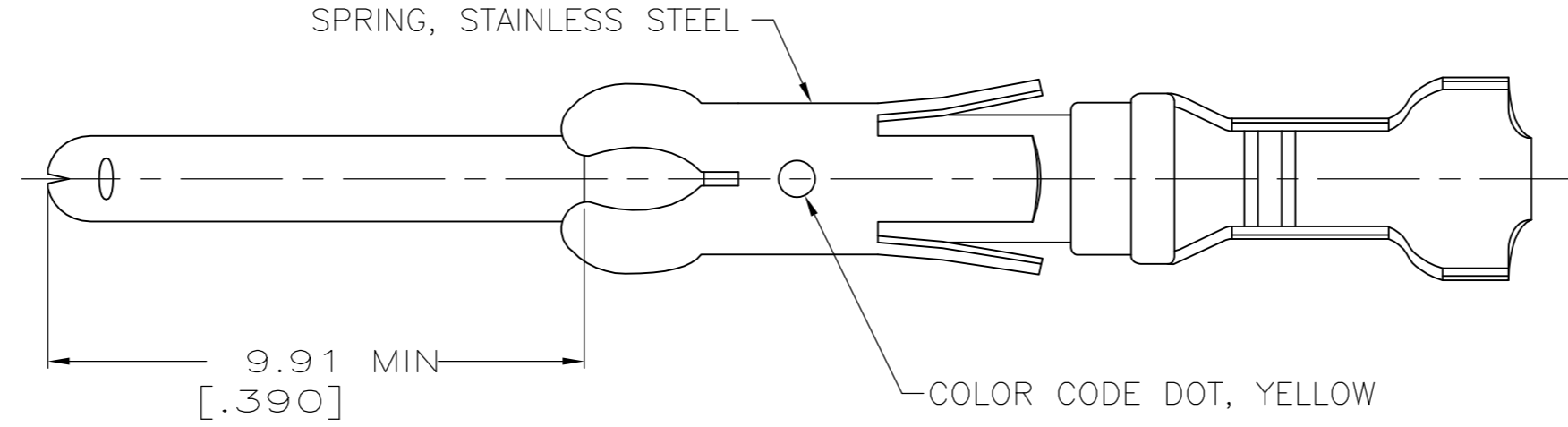


THIS DRAWING IS UNPUBLISHED. RELEASED FOR PUBLICATION  
 © COPYRIGHT - By - ALL RIGHTS RESERVED.

LOC	DIST	REVISIONS					
FT	0	P	LTR	DESCRIPTION	DATE	DWN	APVD
		T1		REVISED PER ECO-14-001124	24JAN2014	NK	MZ



- 1 1.27µm [.000050] MIN TIN-LEAD OVER  
1.27µm [.000050] MIN NICKEL.
- 2 0.76µm [.000030] MIN PRECIOUS METAL PLATE ON MATING END FOR A LENGTH OF 5.08 [.200] MIN WITH A UNIFORM GRADIENT TO 0.25µm [.000010] ON REMAINDER, OVER 1.27µm [.000050] MIN NICKEL PLATE. GOLD FLASH ALL OVER. CONFORMS TO THE REQUIREMENTS OF TE CONNECTIVITY PRODUCT SPEC 108-10042, BASED ON EIA/ECA-364-1000.01A ( CONTROLLED ENVIRONMENT APPLICATIONS ).
- 3 0.76µm [.000030] MIN PRECIOUS METAL PLATE ON MATING END FOR A LENGTH OF 5.08 [.200] MIN WITH 1.27µm [.000050] MIN MATTE TIN PLATE IN WIRE CRIMP AREA BOTH OVER 1.27µm [.000050] MIN NICKEL PLATE. CONFORMS TO THE REQUIREMENTS OF TE CONNECTIVITY PRODUCT SPEC 108-10042, BASED ON EIA/ECA-364-1000.01A ( CONTROLLED ENVIRONMENT APPLICATIONS ).
- 4 0.38µm [.000015] MIN GOLD IN LOCALIZED PLATE AREA, 1.27µm [.000050] MIN MATTE TIN PLATE IN WIRE CRIMP AREA, BOTH ALL OVER 1.27µm [.000050] NICKEL.
- 5 WIRE RANGE 24-20 AWG.
- 6 INSULATION RANGE 2.03[.080]-2.54[.100] DIA.
- 7 0.38µm [.000015] MIN GOLD PER MIL-G-45204 ON LOCALIZED GOLD PLATE AREA, 1.27µm [.000050] MIN TIN-LEAD PER MIL-T-10727 FOR A LENGTH OF 5.69 [.224] MIN ON OPPOSITE END, BOTH OVER 1.27µm [.000050] MIN NICKEL PER QQ-N-290 ON ENTIRE CONTACT.
- 8 1.27µm [.000050] MIN TIN OVER  
1.27µm [.000050] MIN NICKEL.
- 9 OBSOLETE PARTS: OBSOLETE CIS STREAMLINING PER D.RENAUD/D.SINISI.

PACKAGING TYPE	FINISH	STRIP P/N REF	PART NO
SMALL PACK	8	1-66332-4 OR 1-66332-5	1-66400-1
STANDARD	8	1-66332-4 OR 1-66332-5	1-66400-0
SMALL PACK	3	66332-4	66400-9
SMALL PACK	4	66332-3	66400-8
SMALL PACK	2	66332-6	66400-7
SMALL PACK	1	66332-1	66400-6
STANDARD	7	1-66332-2	66400-5
STANDARD	3	66332-4	66400-4
STANDARD	4	66332-3	66400-3
STANDARD	2	66332-6	66400-2
STANDARD	1	66332-1	66400-1

THIS DRAWING IS A CONTROLLED DOCUMENT.

DWN	H MOLL	9-27-90
CHK	J.MCCLINTON	12-15-90
APVD	A.BOULLIANNE	12-10-90
PRODUCT SPEC		
APPLICATION SPEC		

**STE** TE Connectivity

PIN ASSEMBLY, LOOSE PIECE, TYPE III+

SIZE	CAGE CODE	DRAWING NO	RESTRICTED TO
A2	00779	C=66400	-

CUSTOMER DRAWING SCALE 8:1 SHEET 1 OF 1 REV T1