

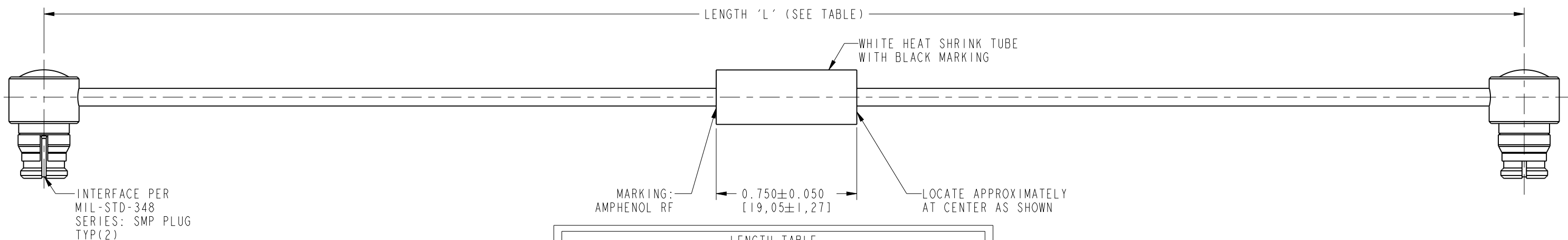
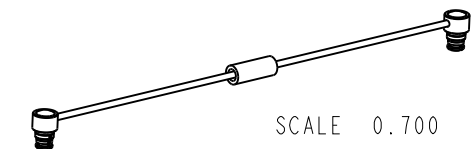
NOTES:

1. MATERIALS AND FINISHES:  
 SMP RA PLUG - BeCu, GOLD PLATING  
 CABLE - 0.047" CONFORMABLE
2. ELECTRICAL:  
 A. IMPEDANCE: 50 OHM

3. PACKAGING:  
 A. QUANTITY: SINGLE PACK  
 B. MARKING: BAG TO BE MARKED  
 "AMPHENOL RF, 95-725-121-XXX AND DATE CODE".

THIRD ANGLE PROJ.

REV		DESCRIPTION	DATE	ECO	APPR
A		RELEASE TO MFG.	11-Jun-19	11801	SKP



LENGTH TABLE		
PART NUMBER (IMPERIAL)	PART NUMBER (METRIC)	LENGTH 'L' IN INCHES [METERS]
-	95-725-121M005	1.97 [0.050]
95-725-121-003	-	3.00 [0.076]
-	95-725-121M010	3.94 [0.100]
95-725-121-004	-	4.00 [0.102]
95-725-121-005	-	5.00 [0.127]
-	95-725-121M015	5.91 [0.150]
95-725-121-006	-	6.00 [0.152]
95-725-121-007	-	7.00 [0.178]
-	95-725-121M020	7.87 [0.200]
95-725-121-008	-	8.00 [0.203]
95-725-121-009	-	9.00 [0.229]
-	95-725-121M025	9.84 [0.250]
95-725-121-010	-	10.00 [0.254]
95-725-121-011	-	11.00 [0.279]
-	95-725-121M030	11.81 [0.300]
95-725-121-012	-	12.00 [0.305]
95-725-121-018	-	18.00 [0.457]
-	95-725-121M050	19.69 [0.500]
95-725-121-024	-	24.00 [0.610]
-	95-725-121M075	29.53 [0.750]
95-725-121-036	-	36.00 [0.914]
-	95-725-121M100	39.37 [1.000]
95-725-121-048	-	48.00 [1.219]
-	95-725-121M200	78.74 [2.000]
-	95-725-121M400	157.48 [4.000]

TOLERANCE TABLE	
LENGTH IN INCHES/FT [METERS]	TOLERANCE
0" - 23.90" [0 - 0.607]	±0.25" [0.006]
24.00" - 59.00" [0.610 - 1.499]	±0.50" [0.013]
5.0' - 24.9' [1.524 - 7.617]	±2.5%
25.0' & UP [7.620 & UP]	±5.0%

DESIGN REQUIREMENTS:

FREQUENCY: DC - 20 GHz       CONTINUITY

VSWR: \_\_\_\_ MAX.       HI-POT: 500 VRMS

INS. LOSS: \_\_\_\_ dB MAX.       OTHER

**CUSTOMER OUTLINE DRAWING**  
 ALL OTHER SHEETS ARE FOR INTERNAL USE ONLY

UNLESS OTHERWISE SPECIFIED, DIMENSIONS ARE IN INCHES AND TOLERANCES ARE: 2 PLACE DECIMAL      3 PLACE DECIMAL      ANGLES ±.015 (0.381 mm)      ±.005 (0.127 mm)      ± 1°	MATERIAL	DRAWN	DATE	TITLE SMP RA PLUG TO SMP RA PLUG USING 0.047" CONFORMABLE CABLE VARIOUS LENGTH		Amphenol RF www.amphenolrf.com
	SEE NOTES	KRISHNA S	21-May-19			
NOTICE - These drawings, specifications, or other data (1) are, and remain the property of Amphenol corp. (2) must be returned upon request; and (3) are confidential and not to be disclosed to any person other than those to whom they are given by Amphenol Corp. the furnishing of these drawings, specifications, or other data by Amphenol Corp., or to any other person to anyone for any purpose is not to be regarded by implication or otherwise in any manner licensing, granting rights to permitting such holder or any other person to manufacture, use or sell any product, process or design, patented or otherwise, that may in any way be related to or disclosed by said drawings, specifications, or other data.	REFERENCE	ENGINEER	DATE	SCALE: 3.7:1.0 SHEET 2 OF 2		DRAWING NO. 95-725-121-XXX
	EAR # 9091	KRISHNA S	21-May-19	DWG SIZE		ITEM NO. 95-725-121-XXX
	CONFIGURATION LEVEL: In Work	APPROVED	DATE	B	REV	PART NO. 95-725-121-XXX
FINISH	K. CAPOZZI	11-Jun-19	A			