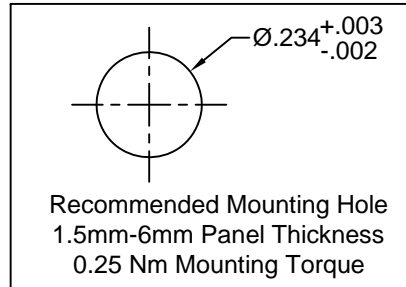
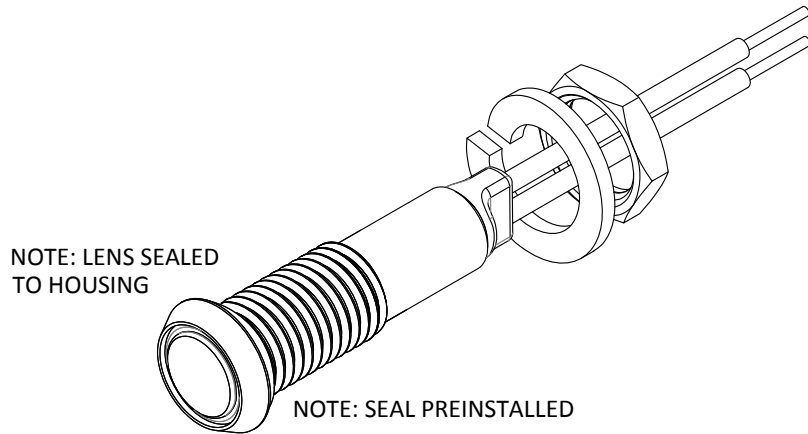
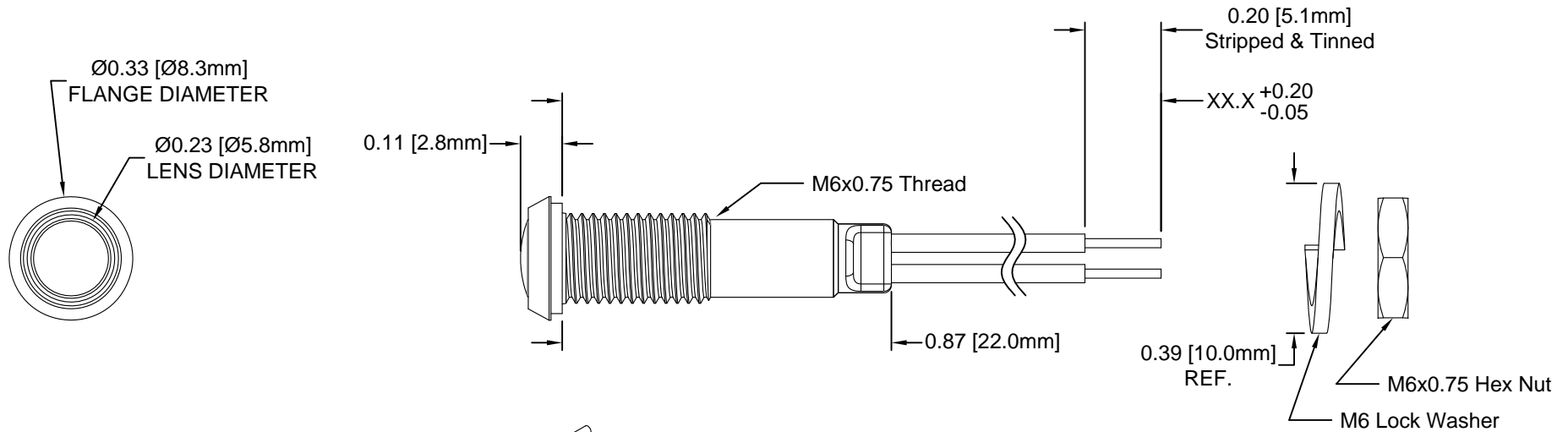


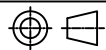
REV.	DESCRIPTION	DATE	APPROVED
A	Engineering Release	03/17/14	J. C.
B	Updated Voltage Input	05/13/14	J. C.
C	Updated LED Optical Characteristics	09/15/15	J. C.



**EXAMPLE:**  
**PM3-PRGDW6.5**

Series | LED Color | Wire Length in 0.5" Increments


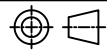
- NOTES:**
1. SEALED TO IP67 RATING
  2. ROHS COMPLIANT
  3. MOUNTING HARDWARE SHIPPED NON-ASSEMBLED
  4. BIPOLAR OPERATION
  5. WIDE RANGE VOLTAGE INPUT, SEE SHEET #2

STANDARD TOLERANCE (UNLESS OTHERWISE SPECIFIED)		<b>BIVAR</b> <sup>®</sup> 4 THOMAS, IRVINE, CA. 92618 TEL: (949) 951-8808 FAX: (949) 951-3974	
DECIMALS	ANGULAR		
.X ± .1	X° ± 1°	 <b>TITLE:</b> IP67 Rated Panel Mount Indicator w/ Wire	
.XX ± .02			
.XXX ± .010			
DESIGNED: <b>Brian Oliver</b>	DATE: <b>03/17/14</b>	<b>PART NO:</b> PM3-PRXXXWXX.X	REVISION: <b>C</b>
CHECKED: <b>T. Yin</b>	DATE: <b>03/17/14</b>	<b>CAGE CODE :</b> 32559	<b>SHEET #</b> 1 OF 2
CAD GENERATED DOCUMENT. DO NOT MEASURE DRAWING.			

REV.	DESCRIPTION	DATE	APPROVED
	SEE SHEET #1		

Assembly Part Number	LED Part Number	Peak Wave Length $\lambda_p$ (nm)	Emitted Color	Electro-Optical Data @ 20mA		Viewing Angle
				Vf (VAC/VDC)	Assembly Iv (mcd)	
				TYP	TYP	
PM3-PRADWXX.X	3SAD-S	610	AMBER	8-48	45	120
PM3-PRBWDWXX.X	3BWD0.245-S	470	BLUE	8-48	90	120
PM3-PRGDWXX.X	3SGD-S	568	GREEN	8-48	14	120
PM3-PRRDWXX.X	3SRD-S	645	RED	8-48	18	120
PM3-PRYDWXX.X	3SYD-S	585	YELLOW	8-48	14	120

Assembly Part Number	LED Part Number	Color Temperature	Emitted Color	Electro-Optical Data @ 20mA		Viewing Angle
				Vf (VAC/VDC)	Assembly Iv (mcd)	
				TYP	TYP	
PM3-PRWDWXX.X	3UWD2.555N	5000K	NEUTRAL WHITE	8-48	1500	120

STANDARD TOLERANCE ( UNLESS OTHERWISE SPECIFIED ) DECIMALS                      ANGULAR		 4 THOMAS, IRVINE, CA. 92618 TEL: (949) 951-8808    FAX: (949) 951-3974	
			
DESIGNED: <b>Brian Oliver</b>	DATE: <b>03/17/14</b>	<b>TITLE:</b> IP67 Rated Panel Mount Indicator w/ Wire	
CHECKED: <b>T. Yin</b>	DATE: <b>03/17/14</b>	<b>PART NO:</b> PM3-PRXXXWXX.X	REVISION: <b>C</b>
		<b>CAGE CODE :</b> 32559	<b>SHEET # 2 OF 2</b>
CAD GENERATED DOCUMENT. DO NOT MEASURE DRAWING.			

## ABSOLUTE MAXIMUM RATINGS (Ta = 25°C)

MAXIMUM POWER DISSIPATION \_\_\_\_\_ 400 mW  
 OPERATING TEMPERATURE RANGE \_\_\_\_\_ -30°C ~ 85°C  
 STORAGE TEMPERATURE \_\_\_\_\_ -40°C ~ 85°C