

NOTES:-
 1. THE "LF" PRODUCTS MEET EUROPEAN UNION DIRECTIVES AND OTHER COUNTRY REGULATIONS AS DESCRIBED IN GS-22-008
 2. LEAD FREE OR RoHS DIRECTIVE LABELING TO BE PROVIDED AS PER GS-14-920 FOR RoHS COMPATIBLE VERSION.

PERFORMANCES CHARACTERISTICS
 VOLTAGE RATING : 250 VAC (rms)
 CURRENT RATING : 1,5 A AT 25 °C, 1 A AT 70 °C.
 INSULATION RESISTANCE : 1000 MΩ INITIAL, 100 MΩ MIN. AFTER TEST
 DIELECTRIC WITH-
 STANDING VOLTAGE : 1000 VAC (rms).
 CONTACT RESISTANCE : 15 mΩ MAX. INITIAL, 5 mΩ MAX. RISE OF INITIAL VALUE AFTER TEST.
 OPERATING TEMPERATURE*: -40 °C TO +125 °C.
 INSERTION FORCE : 1 N MAX./CONTACT.
 WITHDRAWAL FORCE : 0,2 N MIN./CONTACT.
 *DEPENDING ON THE CABLE, THE MAX. TEMPERATURE CAN BE LOWER. FOR STANDARD PVC INSULATED CABLE : 105 °C MAX.

CONSTRUCTION
 BODY MATERIAL : GLASS-REINFORCED THERMOPLASTIC (UL94V-0).
 CONTACT MATERIAL : PHOSPHOR BRONZE.
 CONTACT FINISH : Au OVER Ni IN CONTACT AREA
 SnPb ON I.D.C. TERMINAL FOR LEADED PRODUCTS.
 Sn (MATTE TIN) ON I.D.C. TERMINAL FOR LEAD FREE PRODUCTS.
 Z0 : PERFORMANCE LEVEL PER DIN41612 CLASS 3
 Z1 : PERFORMANCE LEVEL PER DIN41612 CLASS 2
 E9 : PERFORMANCE LEVEL PER DIN41612 CLASS 1
 OTHERS : CONSULT FCI

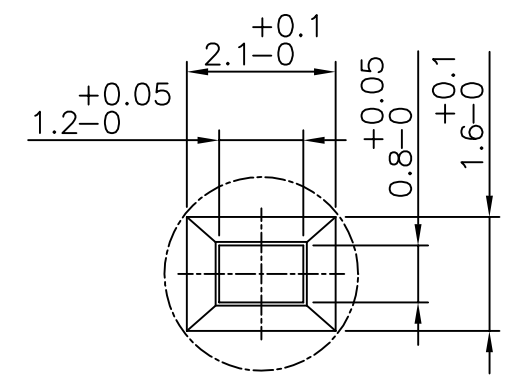
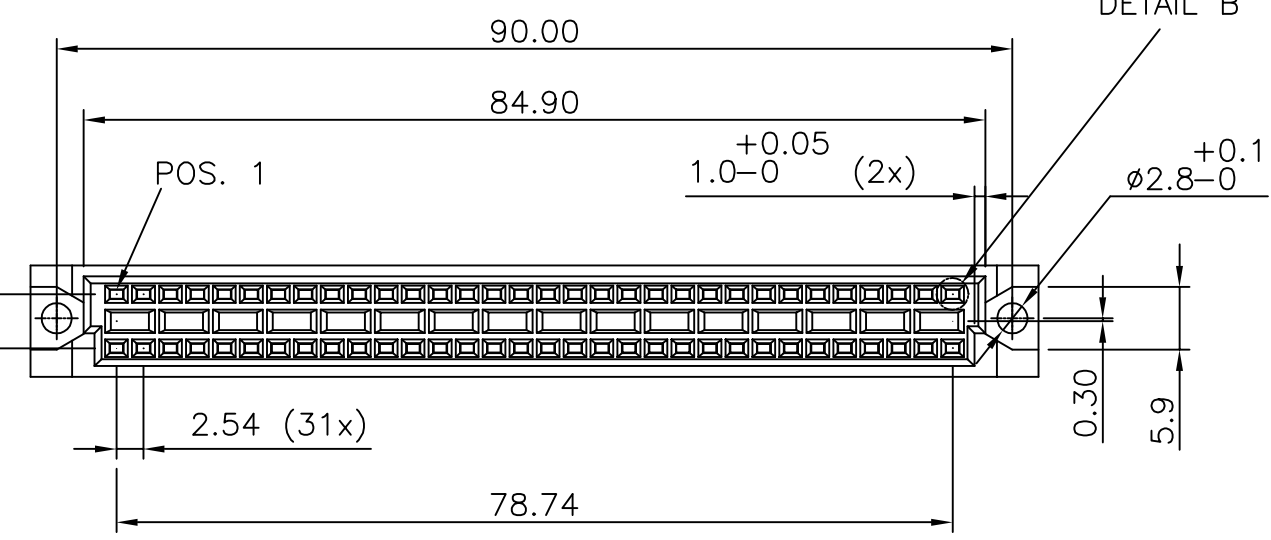
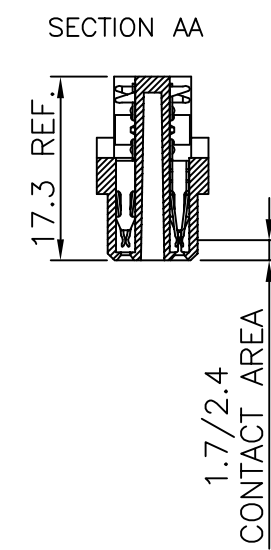
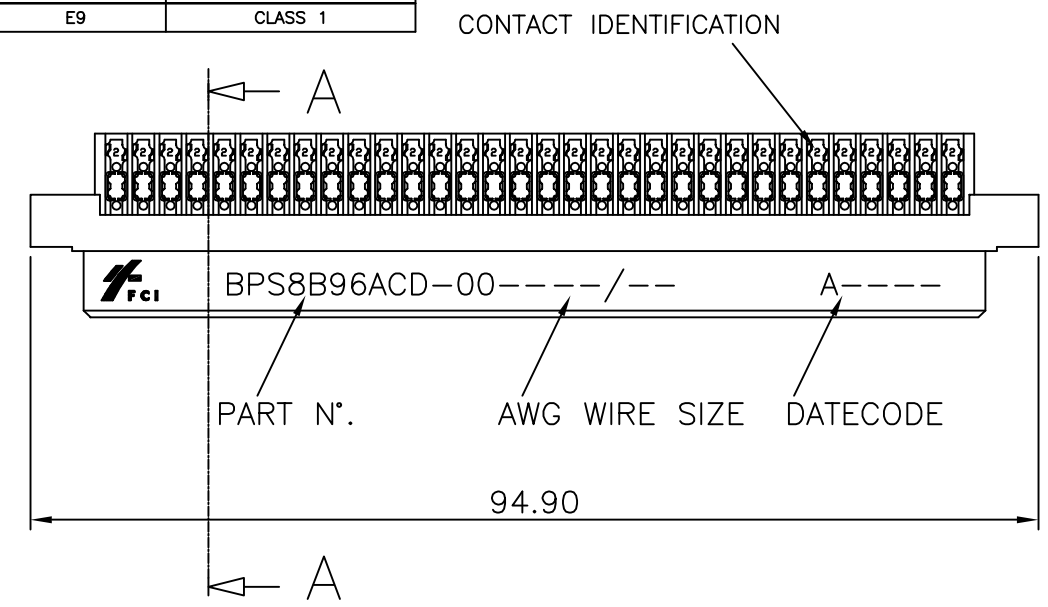
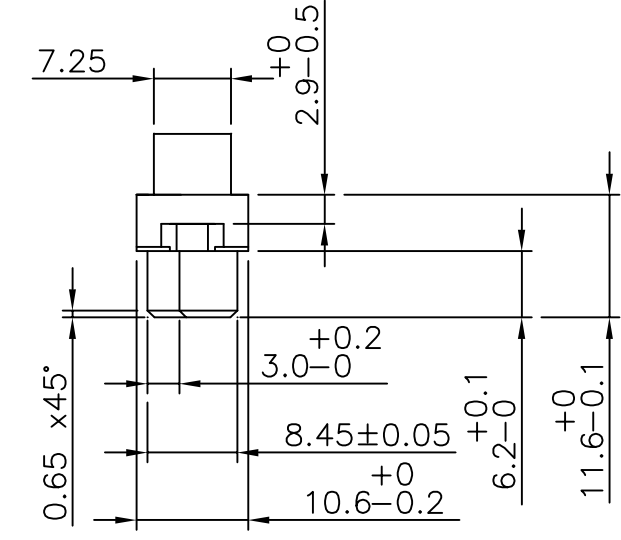
PART NUMBERS
 BPS8B96ACD000--- CONNECTOR FOR WIRE SIZE AWG28, AWG30. (CONTACT IDENTIFICATION : 0).
 BPS8B96ACD200--- CONNECTOR FOR WIRE SIZE AWG24, AWG26 (CONTACT IDENTIFICATION : 2).
AWG WIRE SIZE MARKING
 BPS8B96ACD000--- : 28/30.
 BPS8B96ACD000---LF : 28/30.
 BPS8B96ACD200--- : 24/26.
 BPS8B96ACD200---LF : 24/26.

DATECODE MARKING
 A + YEAR & WEEKCODE, EXAMPLE : A9950.

PRODUCT NUMBER	BPS8B96ACD-00-----	
WITH "LF" SUFFIX	LEAD FREE OR RoHS COMPATIBLE PRODUCT	
WITHOUT SUFFIX	LEADED PRODUCT	

WIRE ACCOMODATION		
PRODUCT NUMBER	WIRE SIZE	CONTACT IDENTIFICATION
BPS8B96ACD000---	AWG28/30	0
BPS8B96ACD200---	AWG24/26	2

CONTACT PLATING	
PLATING CODE	PERFORMANCE LEVEL PER DIN41612
Z0	CLASS 3
Z1	CLASS 2
E9	CLASS 1



mat'l. code		surface		tolerance		projection		product family	
SEE NOTE		ISO 1302		ISO 406 ISO 1101		mm		BPS8	
ltr	ecn no	dr	date	tolerances unless otherwise specified		mm		title	
A	F00819	DLE	2000-10-20	angles	linear	mm		ASSY BPS8	
B	I05-0123	MINI	2005-07-27	±1'		mm		96 POS. A,C LOADED	
C	I06-0067	MINI	2006-06-01			scale -		dwg no	
		dr	D.LEGRAND	2000-10-20		FCI		sheet 1 of 6	
		enr	J.F.NOTTEAU	2000-10-20				55359	
		chr	RAKHEE GEORGE	2006-06-01				size	
		appd	RAKHEE GEORGE	2006-06-01				A3	
sheet	revision	C	C	C	C	C	C	type	
index	sheet	1	2	3	4	5	6	Product Customer Drawing	



Copyright FCI

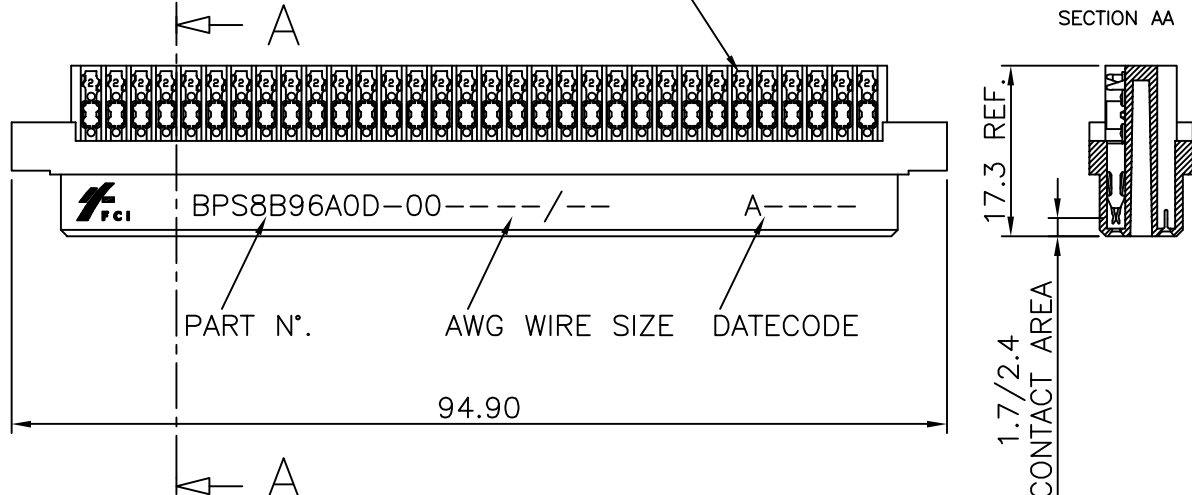
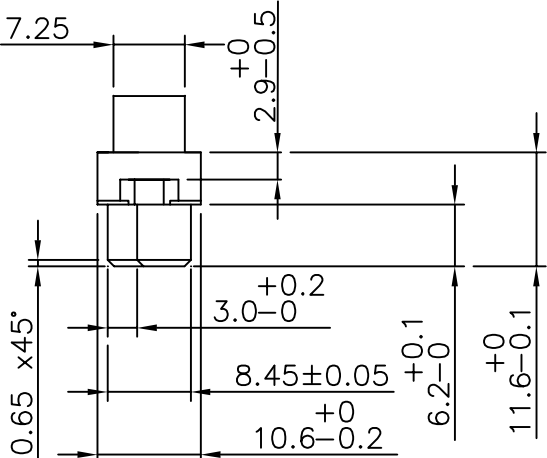
PRODUCT NUMBER BPS8B96A0D-00-----

WITH "LF" SUFFIX	LEAD FREE OR RoHS COMPATIBLE PRODUCT
WITHOUT SUFFIX	LEADED PRODUCT

WIRE ACCOMODATION		
PRODUCT NUMBER	WIRE SIZE	CONTACT IDENTIFICATION
BPS8B96A0D000--	AWG28/30	0
BPS8B96A0D200--	AWG24/26	2

CONTACT PLATING	
PLATING CODE	PERFORMANCE LEVEL PER DIN41612
Z0	CLASS 3
Z1	CLASS 2
E9	CLASS 1

CONTACT IDENTIFICATION



NOTES:-
 1. THE "LF" PRODUCTS MEET EUROPEAN UNION DIRECTIVES AND OTHER COUNTRY REGULATIONS AS DESCRIBED IN GS-22-008
 2. LEAD FREE OR RoHS DIRECTIVE LABELING TO BE PROVIDED AS PER GS-14-920 FOR RoHS COMPATIBLE VERSION.

PERFORMANCES CHARACTERISTICS

VOLTAGE RATING : 250 VAC (rms)
 CURRENT RATING : 1,5 A AT 25 °C, 1 A AT 70 °C.
 INSULATION RESISTANCE : 1000MΩINITIAL, 100MΩMIN. AFTER TEST
 DIELECTRIC WITH-
 STANDING VOLTAGE : 1000 VAC (rms).
 CONTACT RESISTANCE : 15mΩMAX. INITIAL, 5mΩMAX. RISE OF INITIAL VALUE AFTER TEST.
 OPERATING TEMPERATURE*: -40 °C TO +125 °C.
 INSERTION FORCE : 1 N MAX./CONTACT.
 WITHDRAWAL FORCE : 0,2 N MIN./CONTACT.

*DEPENDING ON THE CABLE, THE MAX. TEMPERATURE CAN BE LOWER.
 FOR STANDARD PVC INSULATED CABLE : 105 °C MAX.

CONSTRUCTION

BODY MATERIAL : GLASS-REINFORCED THERMOPLASTIC (UL94V-0).
 CONTACT MATERIAL : PHOSPHOR BRONZE.
 CONTACT FINISH : Au OVER Ni IN CONTACT AREA
 SnPb ON I.D.C. TERMINAL FOR LEADED PRODUCTS.
 Sn (MATTE TIN) ON I.D.C. TERMINAL FOR LEAD FREE PRODUCTS.
 Z0 : PERFORMANCE LEVEL PER DIN41612 CLASS 3
 Z1 : PERFORMANCE LEVEL PER DIN41612 CLASS 2
 E9 : PERFORMANCE LEVEL PER DIN41612 CLASS 1
 OTHERS : CONSULT FCI

PART NUMBERS

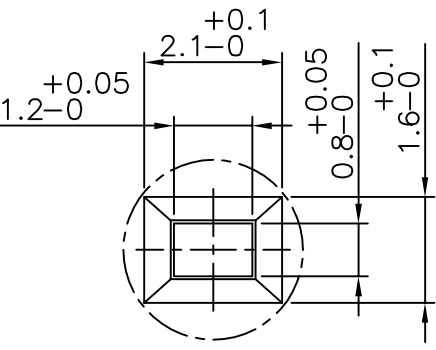
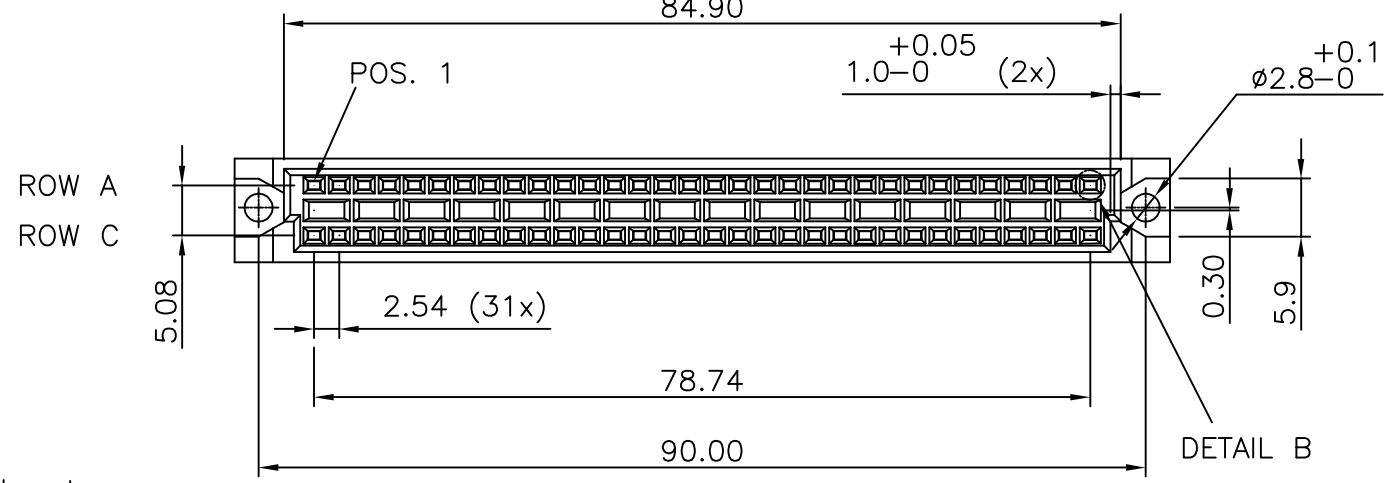
BPS8B96A0D000-- CONNECTOR FOR WIRE SIZE AWG28, AWG30.
 (CONTACT IDENTIFICATION : 0).
 BPS8B96A0D200-- CONNECTOR FOR WIRE SIZE AWG24, AWG26
 (CONTACT IDENTIFICATION : 2).

AWG WIRE SIZE MARKING

BPS8B96A0D000-- : 28/30
 BPS8B96A0D000--LF : 28/30
 BPS8B96A0D200-- : 24/26
 BPS8B96A0D200--LF : 24/26

DATECODE MARKING

A + YEAR & WEEKCODE, EXAMPLE : A9950.



ONLY ROW A FULLY EQUIPPED WITH CONTACTS

mat'l. code		surface		tolerance		projection		product family	
SEE NOTE		ISO 1302		ISO 406 ISO 1101		mm		BPS8	
ltr	ecn no	dr	date	tolerances unless otherwise specified		mm		title	
A	F00819	DLE	2000-10-20	angles	linear	mm		ASSY BPS8	
B	I05-0123	MINI	2005-07-27	±1'		scale -		96 POS. A LOADED	
C	I06-0067	MINI	2006-06-01					dwg no	
		dr		D.LEGRAND		2000-10-20		sheet 2 of 6	
		enr		J.F.NOTTEAU		2000-10-20		size	
		chr		RAKHEE GEORGE		2006-06-01		A3	
		appd		RAKHEE GEORGE		2006-06-01		type	
sheet index		revision sheet						Product Customer Drawing	

NOTES:-
 1. THE "LF" PRODUCTS MEET EUROPEAN UNION DIRECTIVES AND OTHER COUNTRY REGULATIONS AS DESCRIBED IN GS-22-008
 2. LEAD FREE OR RoHS DIRECTIVE LABELING TO BE PROVIDED AS PER GS-14-920 FOR RoHS COMPATIBLE VERSION.

PERFORMANCES CHARACTERISTICS
 VOLTAGE RATING : 250 VAC (rms)
 CURRENT RATING : 1,5 A AT 25 °C, 1 A AT 70 °C.
 INSULATION RESISTANCE : 1000MΩINITIAL, 100MΩMIN. AFTER TEST
 DIELECTRIC WITH-
 STANDING VOLTAGE : 1000 VAC (rms).
 CONTACT RESISTANCE : 15mΩMAX.INITIAL, 5mΩMAX. RISE OF INITIAL VALUE AFTER TEST.
 OPERATING TEMPERATURE*: -40 °C TO +125 °C.
 INSERTION FORCE : 1 N MAX./CONTACT.
 WITHDRAWAL FORCE : 0,2 N MIN./CONTACT.
 *DEPENDING ON THE CABLE, THE MAX. TEMPERATURE CAN BE LOWER.
 FOR STANDARD PVC INSULATED CABLE : 105 °C MAX.

CONSTRUCTION
 BODY MATERIAL : GLASS-REINFORCED THERMOPLASTIC (UL94V-0).
 CONTACT MATERIAL : PHOSPHOR BRONZE.
 CONTACT FINISH : 1.25 μm Au MIN. OVER 2 μm Ni MIN. IN CONTACT AREA
 SnPb ON I.D.C. TERMINAL FOR LEADED PRODUCTS
 Sn (MATTE TIN) ON I.D.C. TERMINAL FOR LEAD FREE PRODUCTS

CABLE : 3M FLEXIBLE TWISTED PAIR CABLE (WIRES & CABLE) TYPE 3782 PER UL STYLE/20488 OR TYPE 3783 PER UL STYLE/2935.

PART NUMBERS
 BPS8B96ACD100L9-----CONNECTOR FOR WIRE SIZE AWG28 (CONTACT IDENTIFICATION : 1).

AWG WIRE SIZE MARKING
 BPS8B96ACD100L9 : 28
 BPS8B96ACD100L9LF : 28

DATECODE MARKING
 A + YEAR & WEEKCODE, EXAMPLE : A9950.

PRODUCT NUMBER BPS8B96ACD100L9

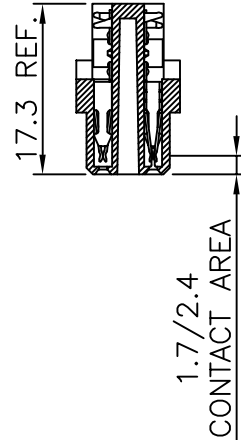
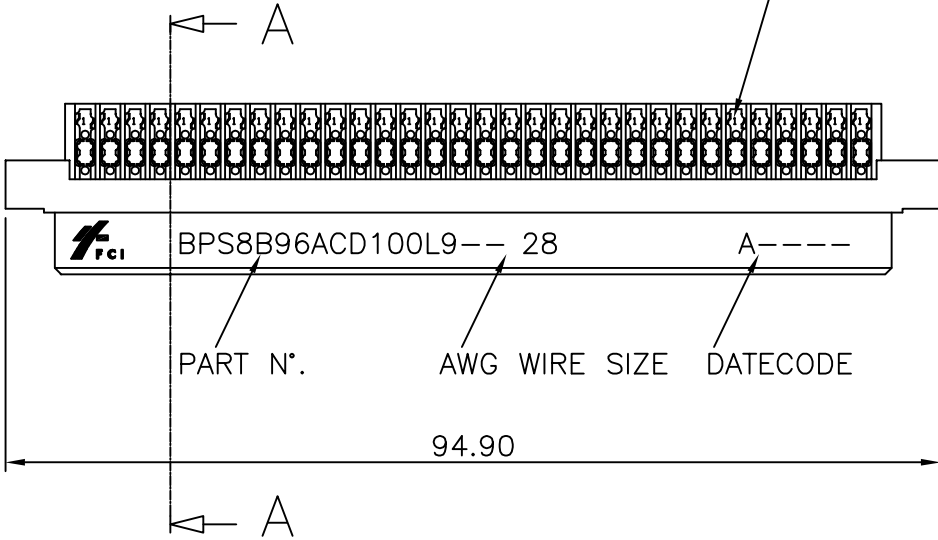
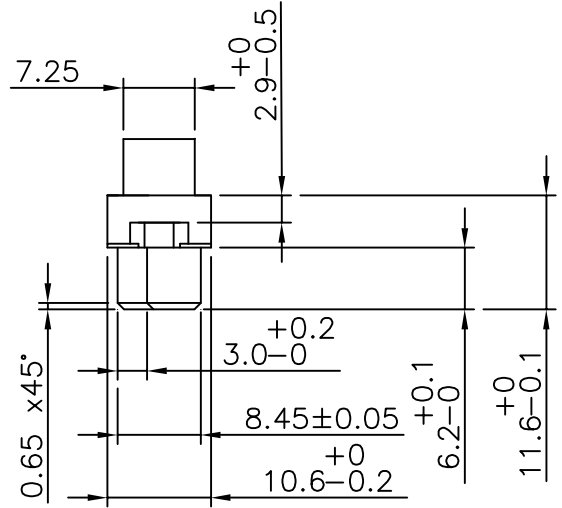
PRODUCT NUMBER BPS8B96ACD100L9LF

LEADED PRODUCT

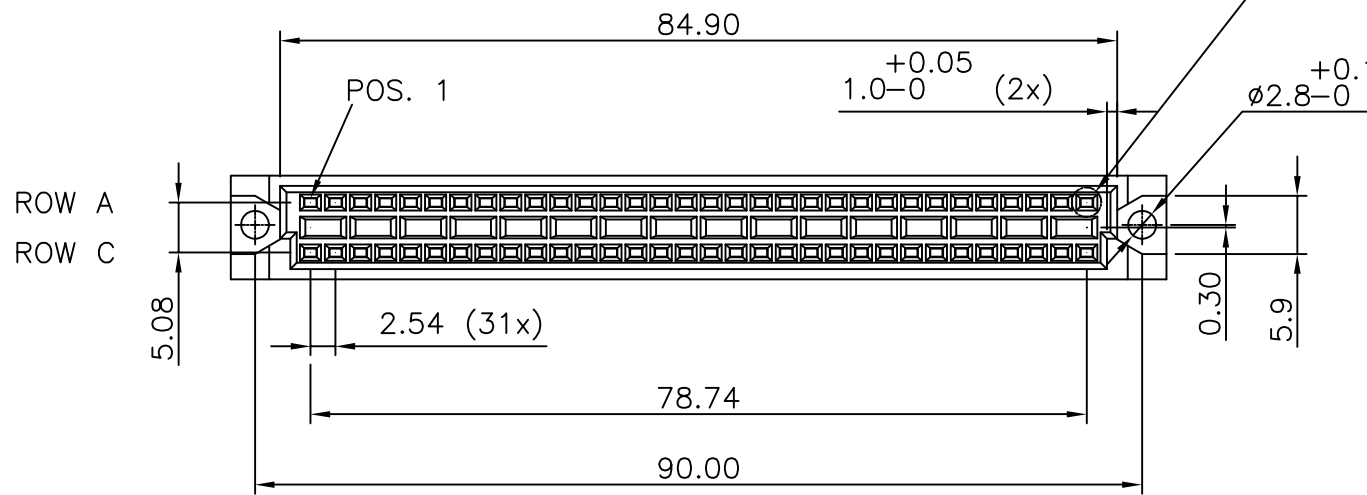
LEAD FREE OR RoHS COMPATIBLE PRODUCT

CONTACT IDENTIFICATION

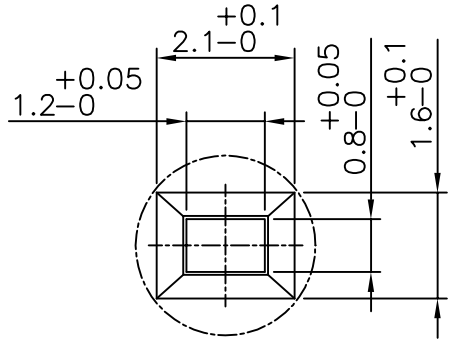
SECTION AA



DETAIL B



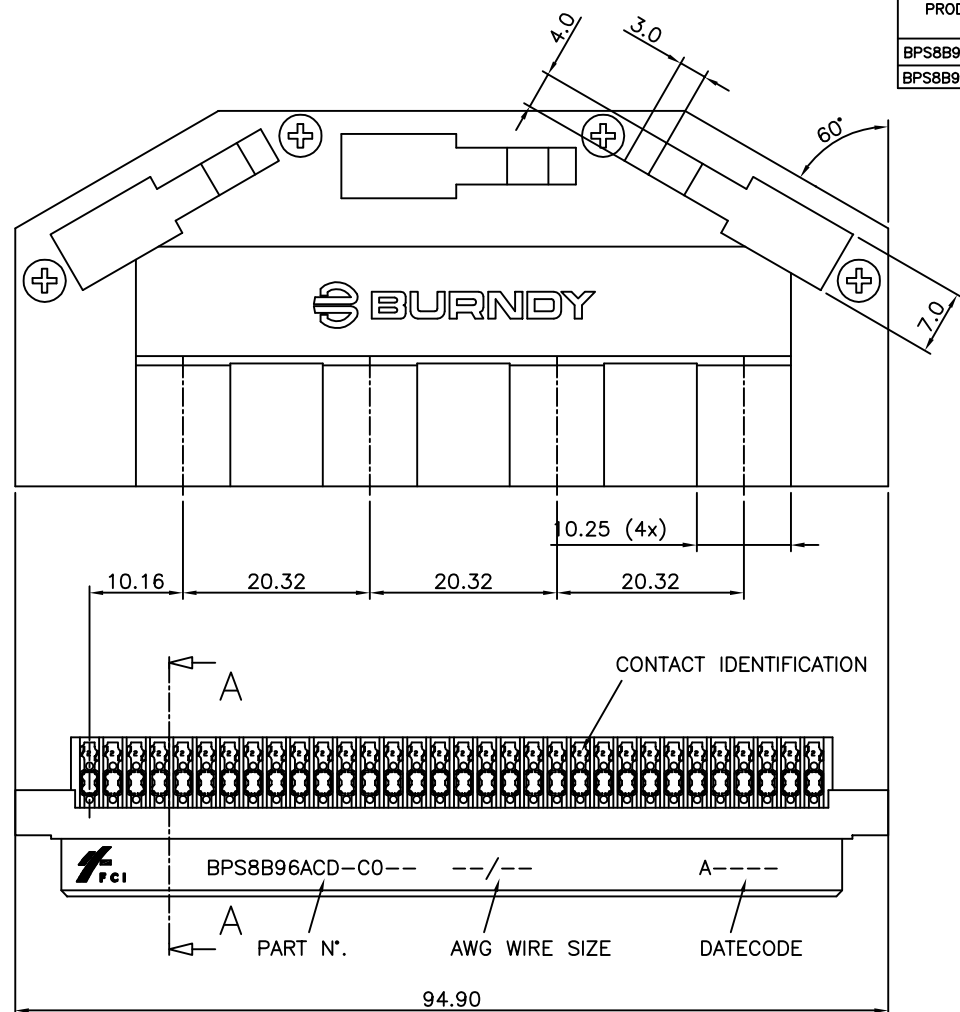
DETAIL B



mat'l. code		surface		tolerance		projection		product family		
SEE NOTE		ISO 1302		ISO 406 ISO 1101		mm		BPS8		
ltr	ecn no	dr	date	tolerances unless otherwise specified		mm		title		
A	F00819	DLE	2000-10-20	angles	linear	mm		ASSY BPS8		
B	I05-0123	MINI	2005-07-27			mm		96 POS. A,C LOADED		
C	I06-0067	MINI	2006-06-01	±1'		scale -				
		dr	D.LEGRAND	2000-10-20		FCI		dwg no		
		enr	J.F.NOTTEAU	2000-10-20				sheet 3 of 6		size
		chr	RAKHEE GEORGE	2006-06-01				55359		A3
		appd	RAKHEE GEORGE	2006-06-01				type		Product Customer Drawing
sheet index	revision sheet									



Copyright FCI



PRODUCT NUMBER BPS8B96ACD-C0		WITH "LF" SUFFIX	LEAD FREE OR RoHS COMPATIBLE PRODUCT
		WITHOUT SUFFIX	LEADED PRODUCT

WIRE ACCOMODATION		
PRODUCT NUMBER	WIRE SIZE	CONTACT IDENTIFICATION
BPS8B96ACD0C0--	AWG28/30	0
BPS8B96ACD2C0--	AWG24/26	2

CONTACT PLATING	
PLATING CODE	PERFORMANCE LEVEL PER DIN41612
Z0	CLASS 3
Z1	CLASS 2
E9	CLASS 1

NOTES:-
 1. THE "LF" PRODUCTS MEET EUROPEAN UNION DIRECTIVES AND OTHER COUNTRY REGULATIONS AS DESCRIBED IN GS-22-008
 2. LEAD FREE OR RoHS DIRECTIVE LABELING TO BE PROVIDED AS PER GS-14-920 FOR RoHS COMPATIBLE VERSION.

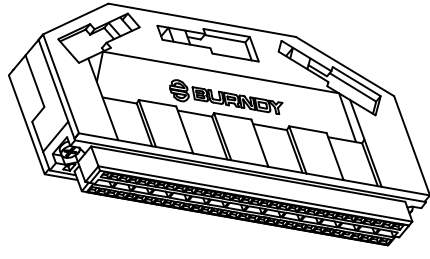
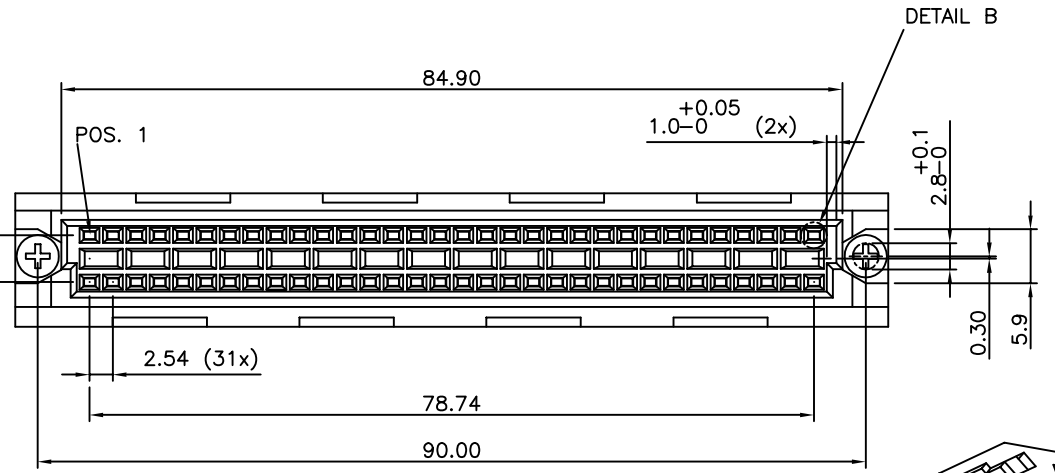
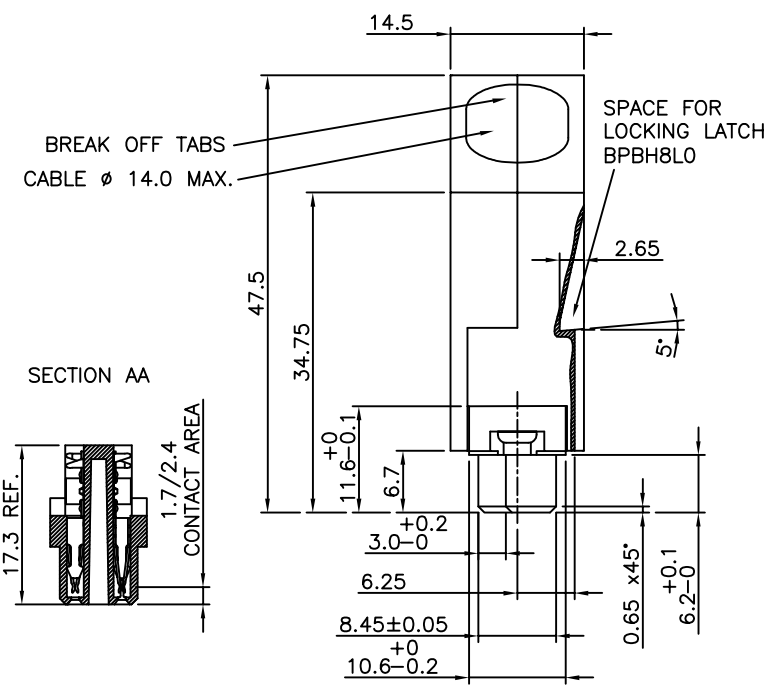
PERFORMANCES CHARACTERISTICS
 VOLTAGE RATING : 250 VAC (rms)
 CURRENT RATING : 1,5 A AT 25 °C, 1 A AT 70 °C.
 INSULATION RESISTANCE : 1000MΩINITIAL, 100MΩMIN. AFTER TEST
 DIELECTRIC WITH-
 STANDING VOLTAGE : 1000 VAC (rms).
 CONTACT RESISTANCE : 15mΩMAX. INITIAL, 5mΩMAX. RISE OF INITIAL VALUE AFTER TEST.
 OPERATING TEMPERATURE*: -40 °C TO +125 °C.
 INSERTION FORCE : 1 N MAX./CONTACT.
 WITHDRAWAL FORCE : 0,2 N MIN./CONTACT.
 *DEPENDING ON THE CABLE, THE MAX. TEMPERATURE CAN BE LOWER.
 FOR STANDARD PVC INSULATED CABLE : 105 °C MAX.

CONSTRUCTION
 BODY MATERIAL : GLASS-REINFORCED THERMOPLASTIC (UL94V-0).
 COVER MATERIAL : POLYPHENYLENE (PPO), COLOUR : BLACK.
 CONTACT MATERIAL : PHOSPHOR BRONZE.
 CONTACT FINISH : Au OVER Ni IN CONTACT AREA
 SnPb ON I.D.C. TERMINAL FOR LEADED PRODUCTS.
 Sn (MATTE TIN) ON I.D.C. TERMINAL FOR LEAD FREE PRODUCTS.
 Z0 : PERFORMANCE LEVEL PER DIN41612 CLASS 3
 Z1 : PERFORMANCE LEVEL PER DIN41612 CLASS 2
 E9 : PERFORMANCE LEVEL PER DIN41612 CLASS 1
 OTHERS : CONSULT FCI
 TIE-WRAP : OPTIONAL (PART N°. TF4)

PART NUMBERS
 BPS8B96ACD0C0---- CONNECTOR FOR WIRE SIZE AWG28, AWG30. (CONTACT IDENTIFICATION : 0).
 BPS8B96ACD2C0---- CONNECTOR FOR WIRE SIZE AWG24, AWG26 (CONTACT IDENTIFICATION : 2).

AWG WIRE SIZE MARKING
 BPS8B96ACD0C0-- : 28/30.
 BPS8B96ACD0C0--LF : 28/30.
 BPS8B96ACD2C0-- : 24/26.
 BPS8B96ACD2C0--LF : 24/26.

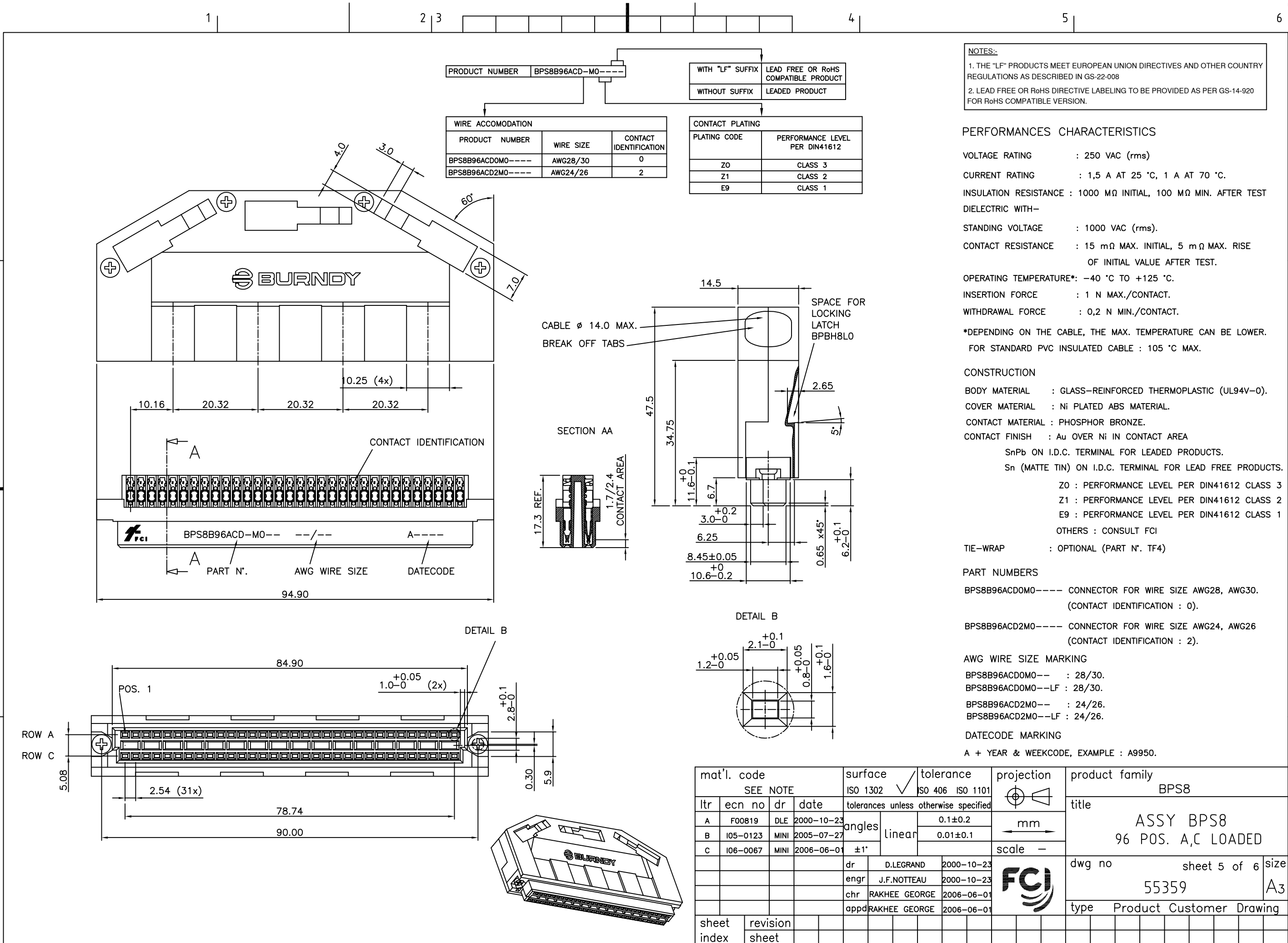
DATECODE MARKING
 A + YEAR & WEEKCODE, EXAMPLE : A9950.



mat'l. code		surface		tolerance		projection		product family	
SEE NOTE		ISO 1302		ISO 406 ISO 1101		mm		BPS8	
litr ecn no dr date		tolerances unless otherwise specified		angles linear		mm		title	
A F00819 DLE 2000-10-23								ASSY BPS8	
B 105-0123 MINI 2005-07-27								96 POS. A,C LOADED	
C 106-0067 MINI 2006-06-01				±1'		scale -		dwg no sheet 4 of 6 size	
		dr D.LEGRAND 2000-10-23				FCI		55359 A3	
		enr J.F.NOTTEAU 2000-10-23						type Product Customer Drawing	
		chr RAKHEE GEORGE 2006-06-01							
		appd RAKHEE GEORGE 2006-06-01							
sheet index		revision sheet							



Copyright FCI



PRODUCT NUMBER BPS8B96ACD-M0----

WITH "LF" SUFFIX	LEAD FREE OR RoHS COMPATIBLE PRODUCT
WITHOUT SUFFIX	LEADED PRODUCT

WIRE ACCOMODATION		
PRODUCT NUMBER	WIRE SIZE	CONTACT IDENTIFICATION
BPS8B96ACD0M0----	AWG28/30	0
BPS8B96ACD2M0----	AWG24/26	2

CONTACT PLATING	
PLATING CODE	PERFORMANCE LEVEL PER DIN41612
Z0	CLASS 3
Z1	CLASS 2
E9	CLASS 1

NOTES:-
 1. THE "LF" PRODUCTS MEET EUROPEAN UNION DIRECTIVES AND OTHER COUNTRY REGULATIONS AS DESCRIBED IN GS-22-008
 2. LEAD FREE OR RoHS DIRECTIVE LABELING TO BE PROVIDED AS PER GS-14-920 FOR RoHS COMPATIBLE VERSION.

PERFORMANCES CHARACTERISTICS

VOLTAGE RATING : 250 VAC (rms)
 CURRENT RATING : 1,5 A AT 25 °C, 1 A AT 70 °C.
 INSULATION RESISTANCE : 1000 MΩ INITIAL, 100 MΩ MIN. AFTER TEST DIELECTRIC WITH-
 STANDING VOLTAGE : 1000 VAC (rms).
 CONTACT RESISTANCE : 15 mΩ MAX. INITIAL, 5 mΩ MAX. RISE OF INITIAL VALUE AFTER TEST.
 OPERATING TEMPERATURE*: -40 °C TO +125 °C.
 INSERTION FORCE : 1 N MAX./CONTACT.
 WITHDRAWAL FORCE : 0,2 N MIN./CONTACT.
 *DEPENDING ON THE CABLE, THE MAX. TEMPERATURE CAN BE LOWER. FOR STANDARD PVC INSULATED CABLE : 105 °C MAX.

CONSTRUCTION

BODY MATERIAL : GLASS-REINFORCED THERMOPLASTIC (UL94V-0).
 COVER MATERIAL : Ni PLATED ABS MATERIAL.
 CONTACT MATERIAL : PHOSPHOR BRONZE.
 CONTACT FINISH : Au OVER Ni IN CONTACT AREA
 SnPb ON I.D.C. TERMINAL FOR LEADED PRODUCTS.
 Sn (MATTE TIN) ON I.D.C. TERMINAL FOR LEAD FREE PRODUCTS.

Z0 : PERFORMANCE LEVEL PER DIN41612 CLASS 3
 Z1 : PERFORMANCE LEVEL PER DIN41612 CLASS 2
 E9 : PERFORMANCE LEVEL PER DIN41612 CLASS 1
 OTHERS : CONSULT FCI

TIE-WRAP : OPTIONAL (PART N°. TF4)

PART NUMBERS

BPS8B96ACD0M0---- CONNECTOR FOR WIRE SIZE AWG28, AWG30. (CONTACT IDENTIFICATION : 0).
 BPS8B96ACD2M0---- CONNECTOR FOR WIRE SIZE AWG24, AWG26 (CONTACT IDENTIFICATION : 2).

AWG WIRE SIZE MARKING

BPS8B96ACD0M0-- : 28/30.
 BPS8B96ACD0M0--LF : 28/30.
 BPS8B96ACD2M0-- : 24/26.
 BPS8B96ACD2M0--LF : 24/26.

DATECODE MARKING

A + YEAR & WEEKCODE, EXAMPLE : A9950.

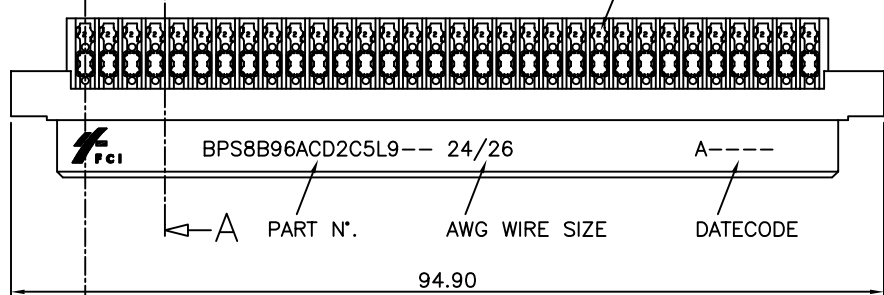
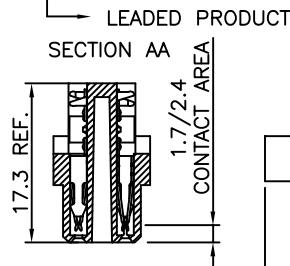
mat'l. code		surface		tolerance		projection		product family	
SEE NOTE		ISO 1302		ISO 406 ISO 1101		mm		BPS8	
litr ecn no dr date		tolerances unless otherwise specified		angles linear		mm		title	
A	F00819	DLE	2000-10-23	0.1±0.2		mm		ASSY BPS8	
B	I05-0123	MINI	2005-07-27	0.01±0.1		mm		96 POS. A,C LOADED	
C	I06-0067	MINI	2006-06-01	±1'		scale -		dwg no sheet 5 of 6 size	
sheet index		revision sheet		dr D.LEGRAND 2000-10-23		FCI		55359 A3	
				enr J.F.NOTTEAU 2000-10-23				type Product Customer Drawing	
				chr RAKHEE GEORGE 2006-06-01					
				appd RAKHEE GEORGE 2006-06-01					

PRODUCT NUMBER BPS8B96ACD2C5L9

PRODUCT NUMBER BPS8B96ACD2C5L9LF

LEAD FREE OR
RoHS
COMPATIBLE
PRODUCT

CONTACT IDENTIFICATION



NOTES:-

1. THE "LF" PRODUCTS MEET EUROPEAN UNION DIRECTIVES AND OTHER COUNTRY REGULATIONS AS DESCRIBED IN GS-22-008
2. LEAD FREE OR RoHS DIRECTIVE LABELING TO BE PROVIDED AS PER GS-14-920 FOR RoHS COMPATIBLE VERSION.

PERFORMANCES CHARACTERISTICS

VOLTAGE RATING : 250 VAC (rms)
 CURRENT RATING : 1,5 A AT 25 °C, 1 A AT 70 °C.
 INSULATION RESISTANCE : 1000MΩINITIAL, 100MΩMIN. AFTER TEST
 DIELECTRIC WITH-
 STANDING VOLTAGE : 1000 VAC (rms).
 CONTACT RESISTANCE : 15mΩMAX. INITIAL, 5mΩMAX. RISE
 OF INITIAL VALUE AFTER TEST.
 OPERATING TEMPERATURE*: -40 °C TO +125 °C.
 INSERTION FORCE : 1 N MAX./CONTACT.
 WITHDRAWAL FORCE : 0,2 N MIN./CONTACT.

*DEPENDING ON THE CABLE, THE MAX. TEMPERATURE CAN BE LOWER.
 FOR STANDARD PVC INSULATED CABLE : 105 °C MAX.

CONSTRUCTION

BODY MATERIAL : GLASS-REINFORCED THERMOPLASTIC (UL94V-0).
 COVER MATERIAL : POLYPHENYLENE (PPO), COLOUR : BLACK.
 CONTACT MATERIAL : PHOSPHOR BRONZE.
 CONTACT FINISH : 1.25 μm Au MIN. OVER 2 μm Ni MIN. IN CONTACT AREA
 SnPb ON I.D.C. TERMINAL FOR LEADED PRODUCTS
 Sn (MATTE TIN) ON I.D.C. TERMINAL FOR LEAD FREE PRODUCTS

CABLE : AWG24 & AWG26 (CONTACT IDENTIFICATION = 2).
 TIE-WRAP : OPTIONAL (PART N°. TF4)

PART NUMBERS

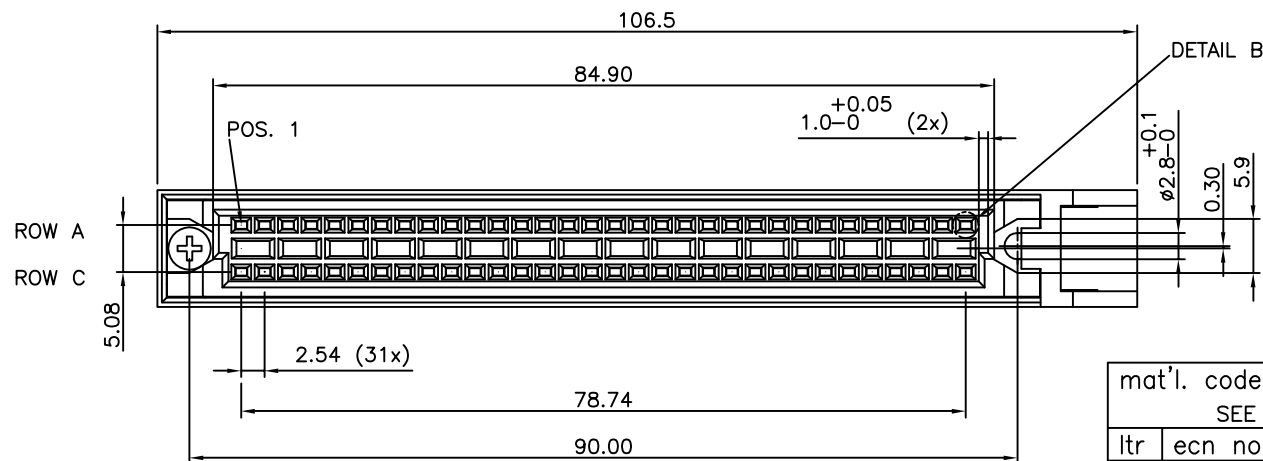
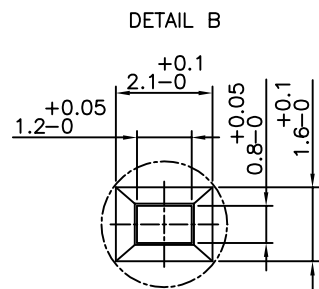
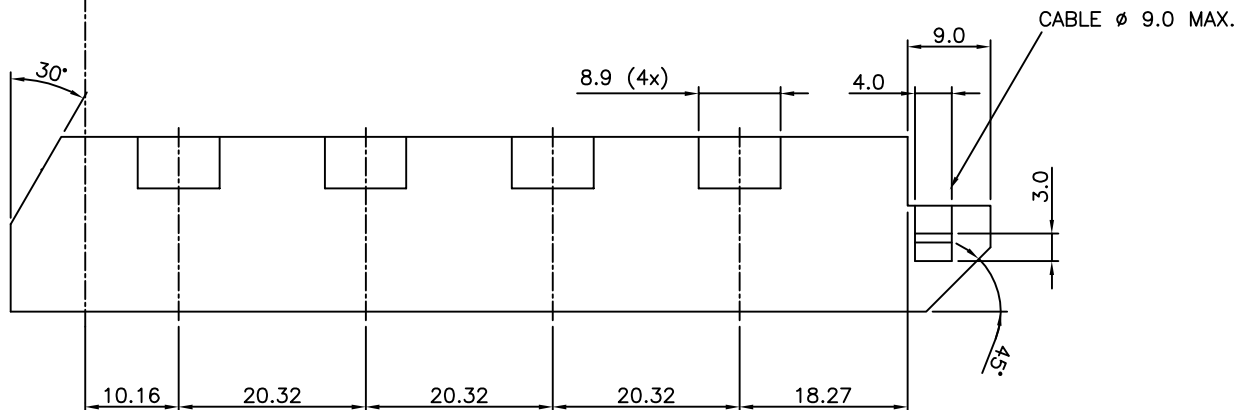
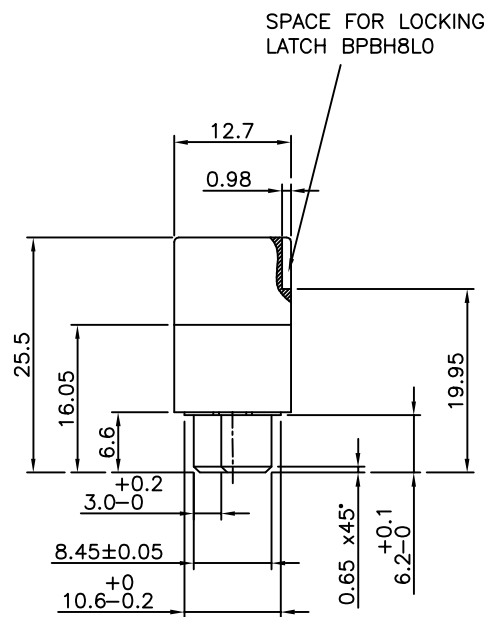
BPS8B96ACD2C5L9-- CONNECTOR FOR WIRE SIZE AWG24, AWG26
 (CONTACT IDENTIFICATION : 2).

AWG WIRE SIZE MARKING

BPS8B96ACD2C5L9 : 24/26
 BPS8B96ACD2C5L9LF : 24/26

DATECODE MARKING

A + YEAR & WEEKCODE, EXAMPLE : A9950.



mat'l. code		surface		tolerance		projection		product family	
SEE NOTE		ISO 1302		ISO 406 ISO 1101		mm		BPS8	
litr		ecn no		dr		date		title	
A		F00819		DLE		2000-10-23		ASSY BPS8	
B		105-0123		MINI		2005-07-27		96 POS. A,C LOADED	
C		106-0067		MINI		2006-06-01		scale -	
dr		D.LEGRAND		2000-10-23		engr		J.F.NOTTEAU	
chr		RAKHEE GEORGE		2006-06-01		appd		RAKHEE GEORGE	
2006-06-01		2006-06-01		2006-06-01		2006-06-01		2006-06-01	
sheet index		revision sheet						dwg no	
								sheet 6 of 6	
								55359	
								size A3	
								type Product Customer Drawing	



Copyright FCI