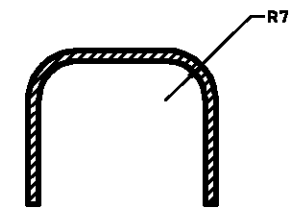
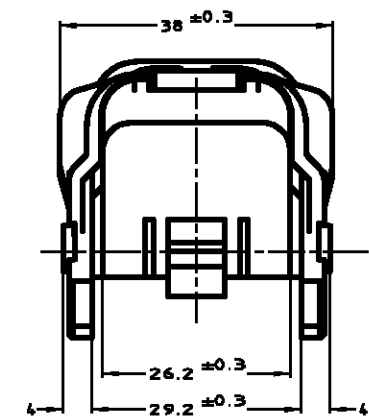
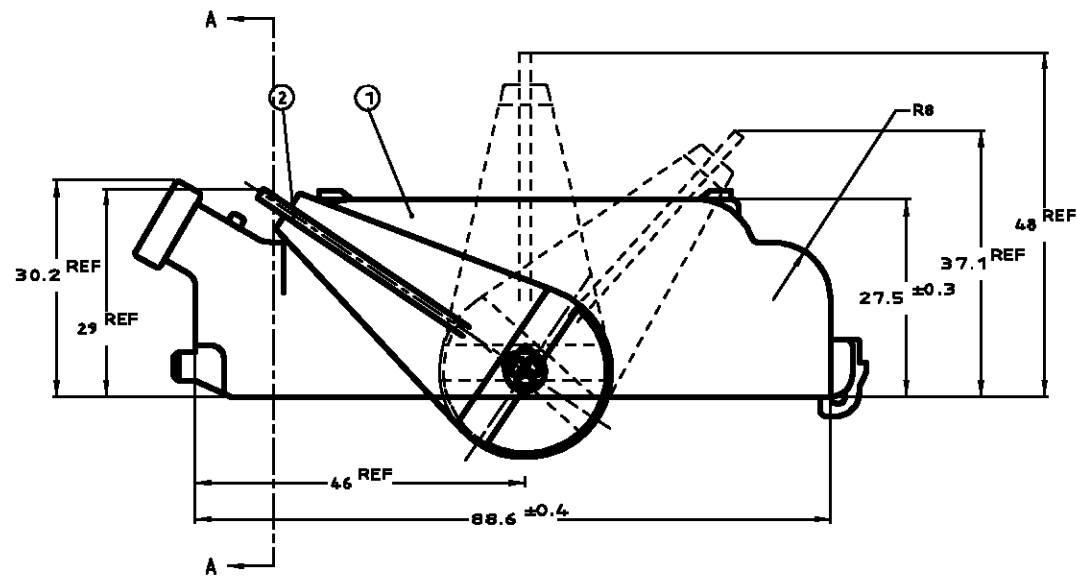
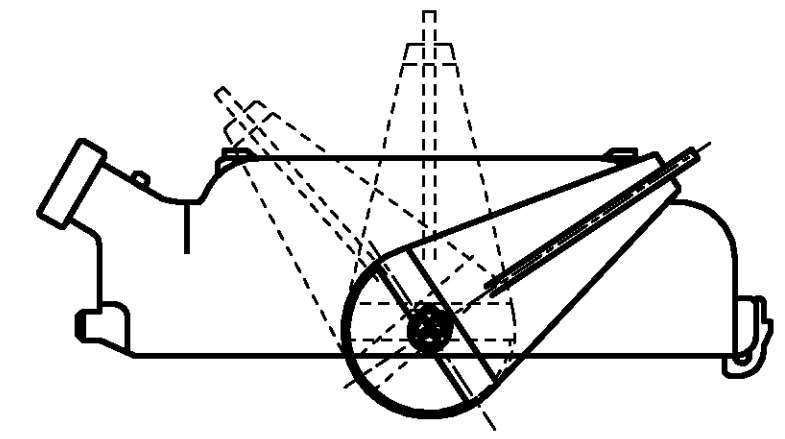
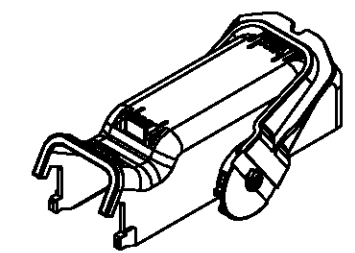
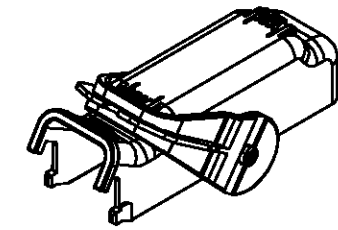
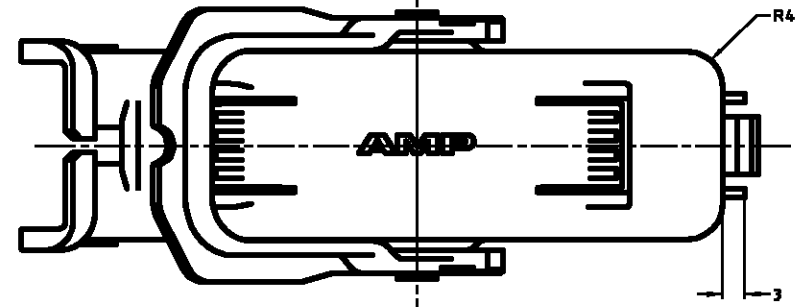


THIS DRAWING IS UNPUBLISHED. RELEASED FOR PUBLICATION SEP. 2000.
 © COPYRIGHT 2000 BY TYCO ELECTRONICS CORPORATION. ALL RIGHTS RESERVED.

LOC	DIST	REVISIONS					
J	-	P	LTR	DESCRIPTION	DATE	DWN	APVD
		C		REVISED ADD -2 FJ00-2199-02	22OCT02	(TS)	TM



A-A

1376601-1
COVER WITH LEVER ON THE WIRES OUTPUT SIDE

1376601-2
COVER WITH LEVER OPPOSED TO WIRES OUTPUT SIDE

レバーの方向以外は1376601-1と同じである。
IT IS THE SAME AS 1376601-1 EXCEPT THE DIRECTION OF A LEVER.

オレンジ (ORANGE)	レバー (LEVER)	2
黒 (BLACK)	カバー (COVER)	1
色 (COLOR)	名称 (NAME)	NO

THIS DRAWING IS A CONTROLLED DOCUMENT.		DWN	T.SAGAWA	18OCT2002
DIMENSIONS: 単位: 特 MM		CHK	K.ODA	27SEP00
TOLERANCES UNLESS OTHERWISE SPECIFIED: 一般公差		APVD	K.ODA	27SEP00
0 PLC ± 0.2	1 PLC ± 0.2	PRODUCT SPEC	製品規格	108-5523
2 PLC ± 0.2	3 PLC ± 0.2	APPLICATION SPEC	取付適用規格	-
4 PLC ± 0.2	ANGLES ± 1	WEIGHT	21 g	A3 00779
MATERIAL 材料	FINISH 仕上	CUSTOMER DRAWING		
PBT	SEE TABLE	SCALE 1:1 SHEET 1 OF 1 REV C		

Tyco Electronics AMP K.K. Kawasaki, Japan		NAME 名称	LEVER ASSY for 060/187 PLUG ASSY 47Pos.
SIZE	CAGE CODE	DRAWING NO	RESTRICTED TO
A3	00779	1376601	-