

PART NAME: 5 STAR-KNOB SCALE: 1:1 DATE: 5/12/93 DR. BY HD



THIS DRAWING IS THE PROPERTY OF DAVIES MOLDING COMPANY, IS SUBMITTED SOLELY AS A DESIGN OR ENGINEERING PROJECT. WE ACCEPT NO RESPONSIBILITY WHATSOEVER FOR THE PRACTICAL APPLICATION OF THE PIECES MADE TO THIS DESIGN.

P/N 2980-P

M^{NO.} 2980

CAVITY 2980

CORE 2980

SLEEVE 2980

© PIN 2980BG

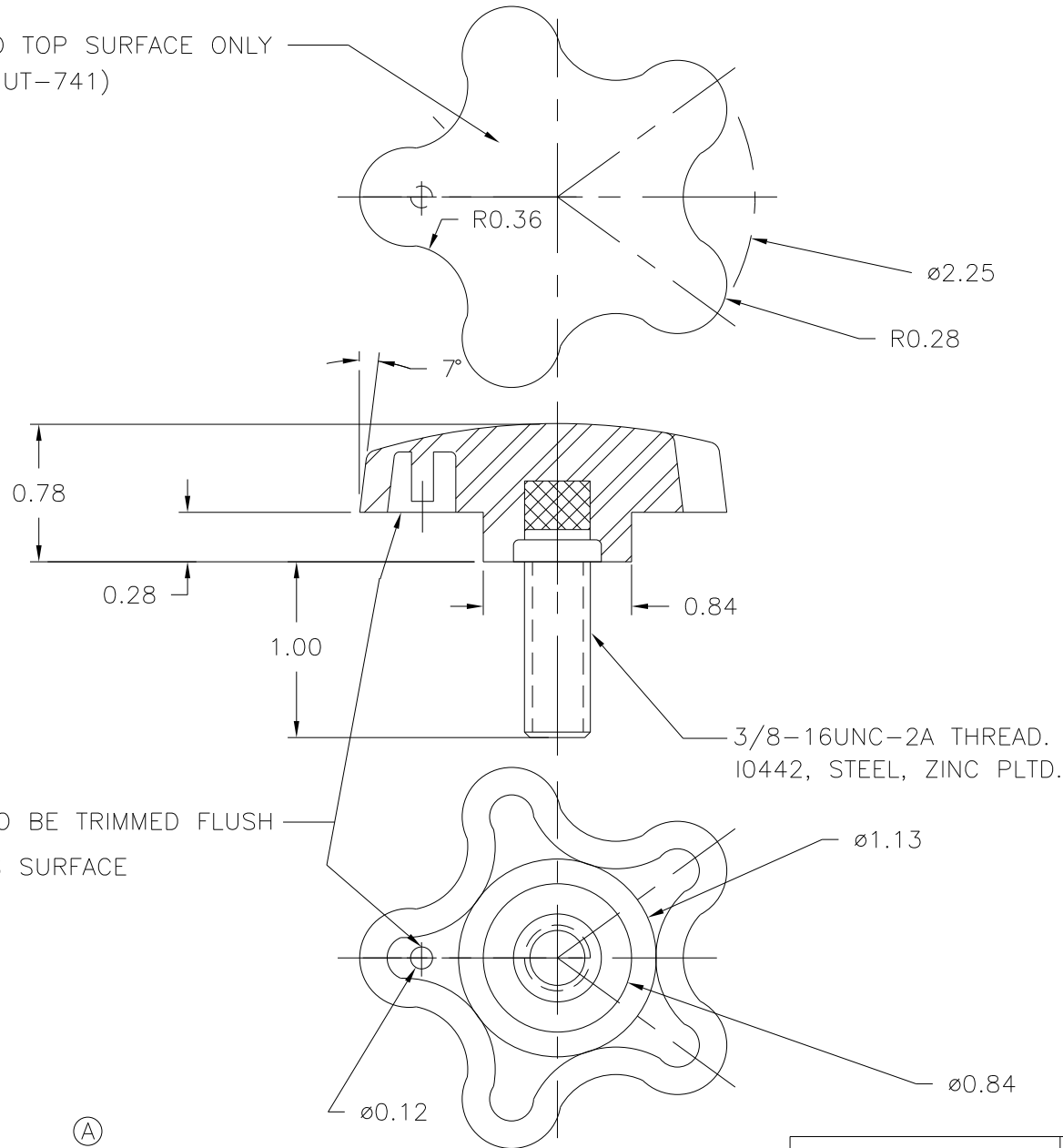
SEE NOTE

INSERT 10442

© M^{NO.} 9

PIN 2980-N

TEXTURED TOP SURFACE ONLY
(UNITEX-UT-741)



NOTE : GATE TO BE TRIMMED FLUSH
OR BELOW THIS SURFACE

Ⓐ MATERIAL: POLYPROPYLENE (CLD) Ⓑ
COLOR: BLACK

TOLERANCES: UNLESS OTHERWISE SPECIFIED	DO NOT SCALE DRAWING	C	WAS 2980-N, ADDED ALTERNATE SET-UP	JAM	4/26/10
DECIMALS: X.XXX ± .005 X.XX ± .015	MM: X.XX ± 0.15MM X.X ± 0.4MM	B	ADDED MAT. CODE	DS	1/26/07
FRACTIONS ± 1/64	ANG. ± 1°	A	MAT'L WAS -ABS	HD	6/22/94
CHANGES					