

# 7" Pocket Pad

7" Win 8 Pocket Pad



## Features

- Pocket-size solution fits in your hand
- 7" HD resolution LCD with P-cap Multi-Touch for better user experience
- Runs on Intel® Atom™ processor Z series
- Windows 8.1 Industry Pro
- IP54 enclosure to protect from dust and water splashing for ease of cleaning
- Embedded with 1D/2D Barcode Scanner, 2 MP front camera, 8 MP AF rear camera w/ flash



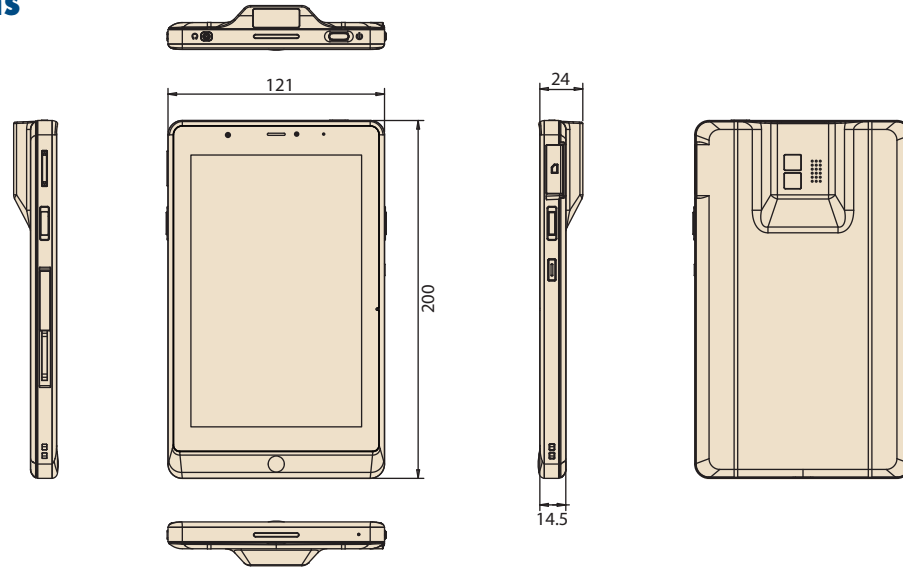
## Specifications

Physical Characteristics	Dimensions (W x H x D)	121 x 200 x 14.5 / 24 (mm) bottom / top
	Weight	400g
Size		7" Display
Display	Touch Panel	10-point P-cap Touch
	Display Type	7" TFT LCD Panel
	Max. Resolution	800 x 1280
Computing System	CPU	Intel® Atom™ Bay Trail-T processor
	Memory	LPDDR III 4G
	Operating System	Windows 8.1 Industry Pro
Storage	HDD	EMMC 32G
Communications	WiFi	Wireless 802.11 a/b/g/n
	BT	Bluetooth v4.0
	GPS	Yes
	NFC	Yes
Audio		Speaker x 1, microphone x 1, receiver x 1
Connectivity	I/O Ports	Docking connector x 1 <ul style="list-style-type: none"> <li>▪ USB 3.0 x 1</li> <li>▪ HDMI out x 1</li> </ul> Micro SD slot x 1 Line out x 1
	Embedded I/O Devices	2 MP front camera 8 MP AF rear camera w/ flash 1D/2D Barcode scanner
Control Buttons		7 buttons (power, volume up & down, programmable key, barcode key x 2, Home key)
Power Supply	AC In	100 – 240 V ~ 1.5A 50/60 Hz
	DC Out	5V / 2A
	Battery Type	Lithium-ion battery
	Battery Capacity	4100 mAh
Ingress Protection	Water / Dust Resistance	IP54-rated, Alcohol resistant for cleaning purposes
Environment	Temperature	Operating: 0° C ~ +40° C, Storage: -20° C ~ +60° C
	Humidity	Operating: 10% ~ 95% @ 40° C non-condensing, Storage: 10% ~ 95% @ 40° C non-condensing
	Shock Resistance	Operating: 10 G, 11 ms, Non-operating: 30 G, 11ms
	Drop Test	Height: 90 cm, for 6 faces
Certifications		FCC Part 15 Class B, UL, CE, CB60950, RoHS

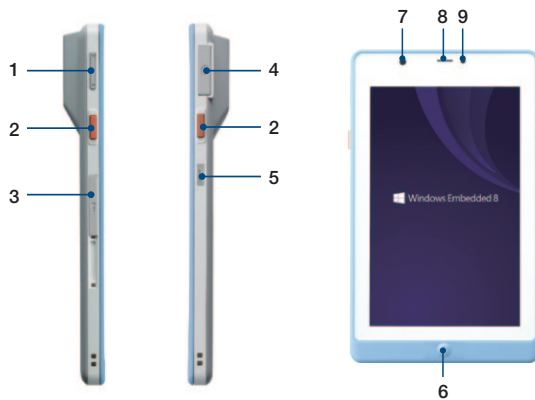
# 7" Pocket Pad

## Dimensions

Unit: mm



## Function Keys



- 1. Volume control
- 2. Barcode scanner
- 3. Docking port
- 4. MicroSD card slot
- 5. Programmable key

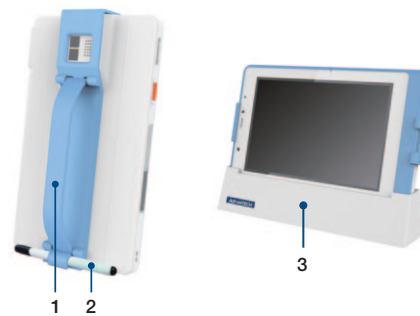
- 6. Home key
- 7. Front camera
- 8. Receiver
- 9. Ambient sensor

## Ordering Information

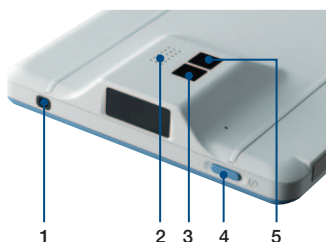
Part Number	Description
MICA-071-A11-A1E	7" Pocketable Pad

## Accessories

Part Number	Description
MICA-071-DCRE	MICA-071 Docking station
MICA-071-VCRE	MICA-071 VESA mounting kit

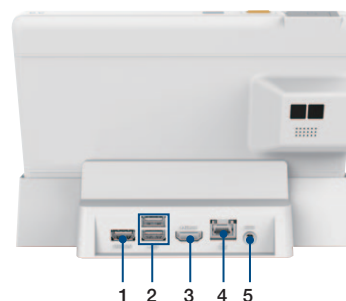


- 1. Tablet holder
- 2. Stylus pen
- 3. Docking station



- 1. Line out
- 2. Speaker
- 3. Rear camera (Auto focus)

- 4. Power
- 5. Flashlight



- 1. USB 3.0
- 2. USB 2.0 x 2
- 3. HDMI
- 4. LAN
- 5. DC in