

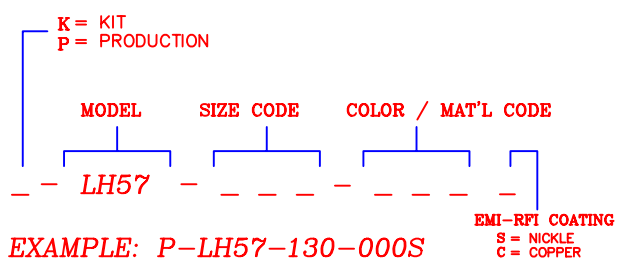
FOR ENGINEERING DRAWING SEE SIDE 2

COLOR / MAT'L CODE		
COLOR	94HB	94VO
BLACK	000	028
P.C.BONE	039	060

*SUPPLIED WITH KIT ONLY

MODEL	① TOP COVER	② BOTTOM COVER	*③ PANEL BLANK	④ SCREW	⑤ FEET
LH57-130	73459-01	73460-01	71884-16	60227-16	60221-01
LH57-200	73459-01	73461-01	71884-17	60227-09	60221-01

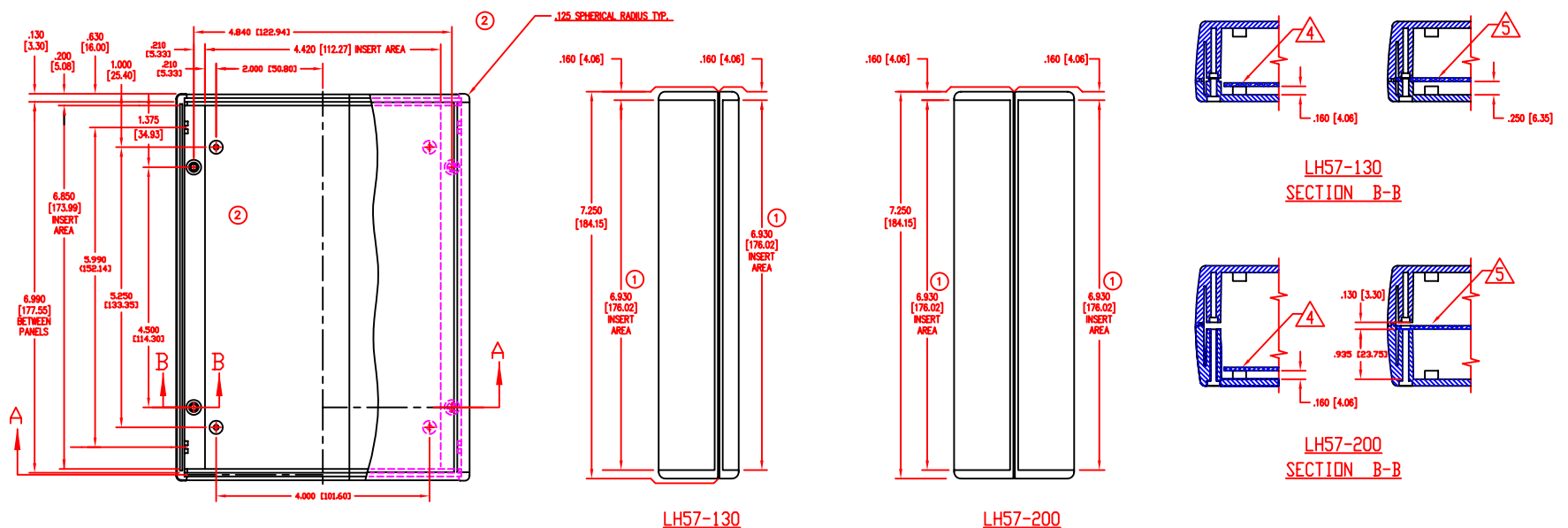
MODEL NUMBER GENERATION



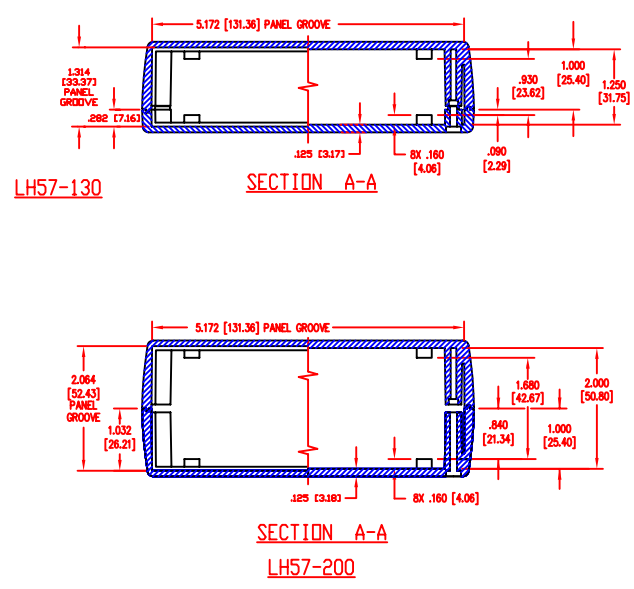
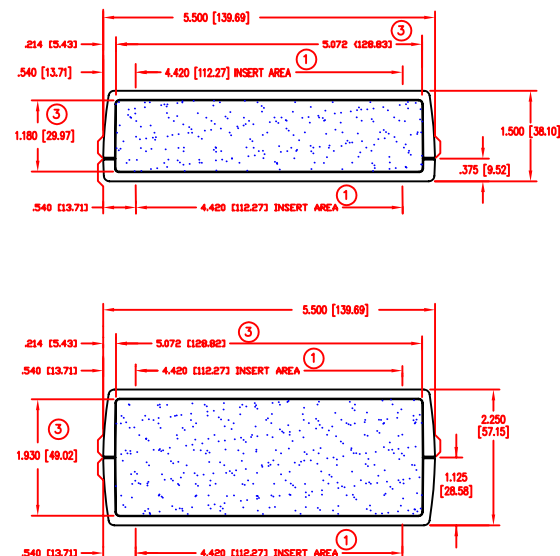
PACNTEC®

LH57-130 & LH57-200
1-610-361-4231
www.pactecenclosures.com

73463-00 REV E 03/06 SIDE 1



- NOTES:**
- PANEL SIZE: (FRONT AND REAR)
- LH57-130 1.307 ±.005 [33.20±0.13] HIGH X 5.170 ±.005 [131.32 ± 0.13] WIDE X .062±.005 [1.57± 0.13] THICK. (IN PANEL GROOVE)
- LH57-200 2.057 ±.005 [52.25±0.13] HIGH X 5.170 ±.005 [131.32±0.13] WIDE X .062±.005 [1.57 ± 0.13] THICK. (IN PANEL GROOVE)
- ① EXTERIOR INSERT AREA, FOR IN MOLD MODIFICATION.
- ② INTERIOR INSERT AREA, FOR IN MOLD MODIFICATION. TYPICAL ON TOP AND BOTTOM COVERS.
- ③ USABLE PANEL AREA.
- ④ P.C. CARD .062 [1.57] THICK.
- ⑤ P.C. CARD .062 [1.57] THICK.



PACNTEC®

LH57-130 & LH57-200
1.610-361-4231
www.pactecenclosures.com

73463-00 REV E 03/06 SIDE 2