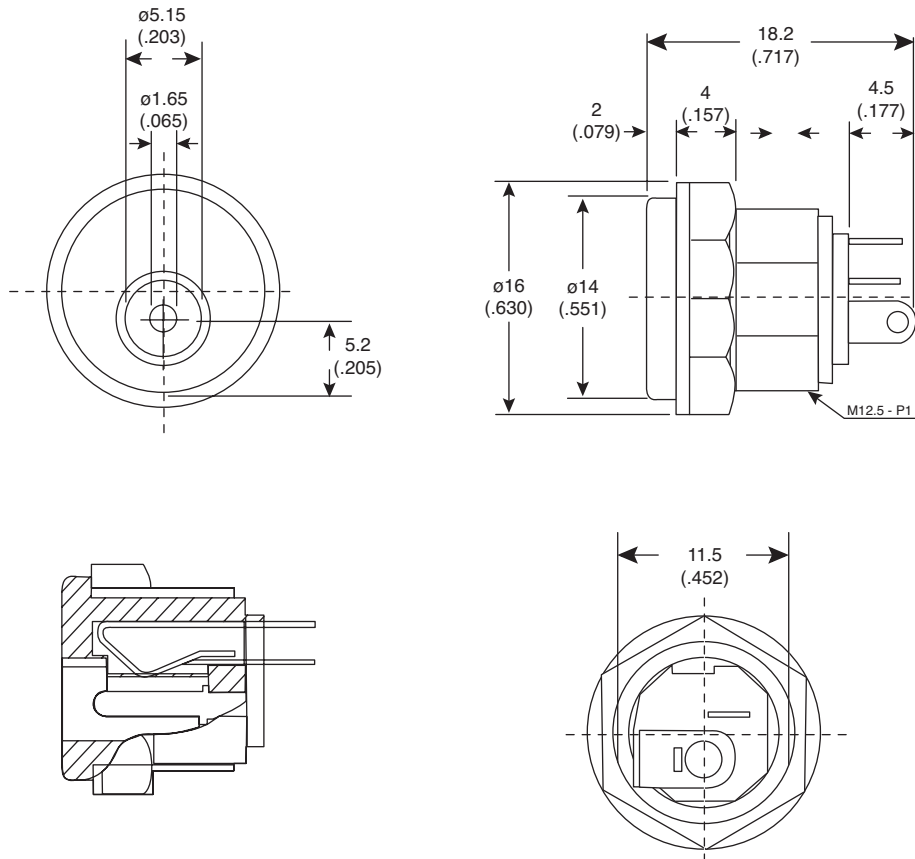


DC Power Jack

163-4117-EX



DC Power Jack



Dimensions: mm (in.)

SPECIFICATIONS	
Rating:	10.5 VDC 2A
Insulation resistance:	100M Ω min. @ 500VDC
Contact resistance:	30 m Ω max.
Dielectric Strength:	500 VAC for one min.
Contact terminal:	Silver plated brass
Center Pin:	Nickel plated brass
RoHS Compliant by Exemption	

Date Last Revised: 02-17-12

Available from Mouser Electronics
 1-800-346-6873
www.mouser.com

KC-300845

163-4117-EX