



Main

Range of product	OsiSense XU
Series name	General purpose multimode
Electronic sensor type	Photo-electric sensor transmitter
Sensor name	XUK
Sensor design	Compact 50 x 50
Detection system	Thru beam
Material	Plastic
Supply circuit type	AC/DC
Wiring technique	3-wire
Electrical connection	Cable
Cable length	16.4 ft (5 m)
Product specific application	-
Emission	Infrared thru beam
[Sn] nominal sensing distance	98.43 ft (30 m) need a receiver
Wire insulation material	PvR
[Us] rated supply voltage	12...240 V DC 24...240 V AC
Switching capacity in mA	3 A cos ϕ = 1 for 0.5 million cycles at 1 operating cycle per second at 250 V
Time delay range	0...10 s monostable, on-delay or off-delay (programmable) delay

Complementary

Enclosure material	PBT
Lens material	PMMA
Maximum sensing distance	114.83 ft (35 m)
Add on input	Test by emission breaking
Status LED	1 LED green supply on 1 LED yellow output state
Supply voltage limits	20...264 V AC 10...264 V DC
Switching frequency	\leq 20 Hz
Voltage drop	\leq 1.5 V closed state
Setting-up	Without sensitivity adjustment
Depth	0.71 in (18 mm)
Height	1.97 in (50 mm)
Width	1.97 in (50 mm)

Environment

product certifications	CE CSA UL
ambient air temperature for operation	-13...131 °F (-25...55 °C)
ambient air temperature for storage	-40...158 °F (-40...70 °C)
vibration resistance	7 gn +/- 1.5 mm 10...55 Hz) IEC 60068-2-6
shock resistance	30 gn (duration = 11 ms) conforming to IEC 60068-2-27
IP degree of protection	IP65 double insulation IEC 60529

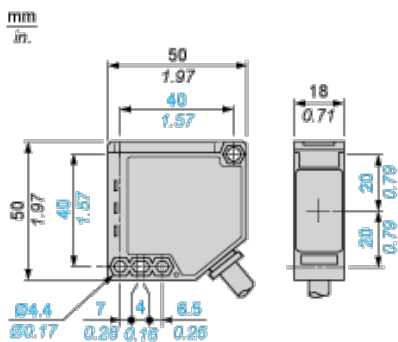
Offer Sustainability

3389110703238	3389110703238
Compliant - since 0903 - Schneider Electric declaration of conformity	Compliant - since 0903 - Schneider Electric declaration of conformity
3389110703238	3389110703238
3389110703238	3389110703238
WARNING: This product can expose you to chemicals including:	WARNING: This product can expose you to chemicals including:
Diisononyl phthalate (DINP), which is known to the State of California to cause cancer, and	Diisononyl phthalate (DINP), which is known to the State of California to cause cancer, and
Di-isodecyl phthalate (DIDP), which is known to the State of California to cause birth defects or other reproductive harm.	Di-isodecyl phthalate (DIDP), which is known to the State of California to cause birth defects or other reproductive harm.
For more information go to www.p65warnings.ca.gov	For more information go to www.p65warnings.ca.gov

Contractual warranty

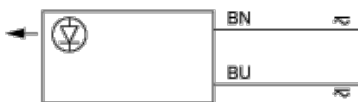
Warranty period	18 months
-----------------	-----------

Dimensions



Wiring Schemes

Thru-beam Transmitter AC



BN : Brown

BU : Blue

Detection Curves

With Thru-beam Accessory (Thru-beam)

