

## Functional Description

PSoC® 4 is a scalable and reconfigurable platform architecture for a family of programmable embedded system controllers with an ARM® Cortex®-M0+ CPU. It combines programmable and reconfigurable analog and digital blocks with flexible automatic routing. The PSoC 4000S product family is a member of the PSoC 4 platform architecture. It is a combination of a microcontroller with standard communication and timing peripherals, a capacitive touch-sensing system (CapSense) with best-in-class performance, programmable general-purpose continuous-time and switched-capacitor analog blocks, and programmable connectivity. PSoC 4000S products will be upward compatible with members of the PSoC 4 platform for new applications and design needs.

## Features

### 32-bit MCU Subsystem

- 48-MHz ARM Cortex-M0+ CPU
- Up to 32 KB of flash with Read Accelerator
- Up to 4 KB of SRAM

### Programmable Analog

- Single-slope 10-bit ADC function provided by Capacitance sensing block
- Two current DACs (IDACs) for general-purpose or capacitive sensing applications on any pin
- Two low-power comparators that operate in Deep Sleep low-power mode

### Programmable Digital

Programmable logic blocks allowing Boolean operations to be performed on port inputs and outputs

### Low-Power 1.71-V to 5.5-V Operation

- Deep Sleep mode with operational analog and 2.5  $\mu$ A digital system current

### Capacitive Sensing

- Cypress CapSense Sigma-Delta (CSD) provides best-in-class signal-to-noise ratio (SNR) (>5:1) and water tolerance
- Cypress-supplied software component makes capacitive sensing design easy
- Automatic hardware tuning (SmartSense™)

### Serial Communication

- Two independent run-time reconfigurable Serial Communication Blocks (SCBs) with re-configurable I2C, SPI, or UART functionality

### LCD Drive Capability

- LCD segment drive capability on GPIOs

### Timing and Pulse-Width Modulation

- Five 16-bit timer/counter/pulse-width modulator (TCPWM) blocks
- Center-aligned, Edge, and Pseudo-random modes
- Comparator-based triggering of Kill signals for motor drive and other high-reliability digital logic applications

### Up to 36 Programmable GPIO Pins

- 48-pin TQFP, 40-pin QFN, 32-pin QFN, 24-pin QFN, 32-pin TQFP, and 25-ball WLCSP packages
- Any GPIO pin can be CapSense, analog, or digital
- Drive modes, strengths, and slew rates are programmable

### PSoC Creator Design Environment

- Integrated Development Environment (IDE) provides schematic design entry and build (with analog and digital automatic routing)
- Applications Programming Interface (API) component for all fixed-function and programmable peripherals

### Industry-Standard Tool Compatibility

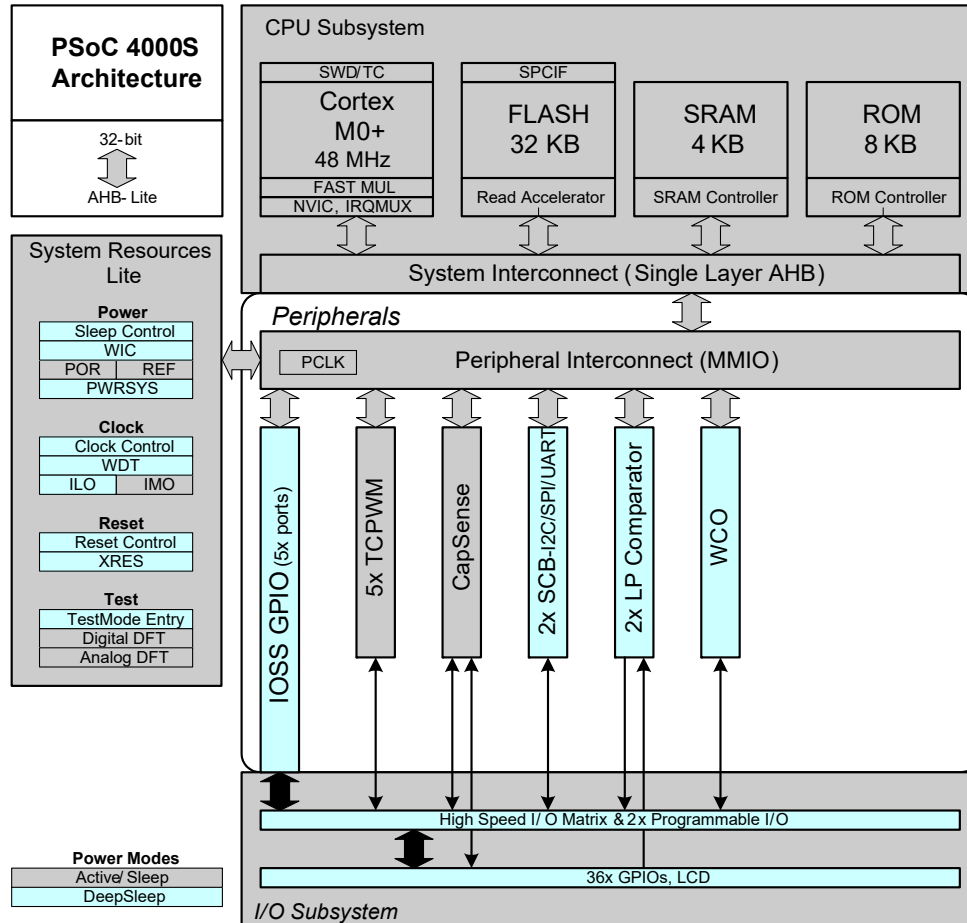
- After schematic entry, development can be done with ARM-based industry-standard development tools

## Contents

|  |           |  |           |
|--|-----------|--|-----------|
| <b>Logic Block Diagram</b> .....             | <b>3</b>  | Device Level Specifications .....                    | 13        |
| <b>Functional Overview</b> .....             | <b>4</b>  | Analog Peripherals .....                             | 16        |
| CPU and Memory Subsystem .....               | 4         | Digital Peripherals .....                            | 20        |
| System Resources .....                       | 4         | Memory .....   | 23        |
| Analog Blocks .....                          | 5         | System Resources .....                               | 23        |
| Programmable Digital Blocks .....            | 5         | <b>Ordering Information</b> .....                    | <b>26</b> |
| Fixed Function Digital .....                 | 5         | <b>Packaging</b> .....                               | <b>28</b> |
| GPIO .....                                   | 6         | Package Diagrams .....                               | 29        |
| Special Function Peripherals .....           | 6         | <b>Acronyms</b> .....                                | <b>33</b> |
| <b>Pinouts</b> .....                         | <b>7</b>  | <b>Document Conventions</b> .....                    | <b>35</b> |
| Alternate Pin Functions .....                | 8         | Units of Measure .....                               | 35        |
| <b>Power</b> .....                           | <b>10</b> | <b>Document History Page</b> .....                   | <b>36</b> |
| Mode 1: 1.8 V to 5.5 V External Supply ..... | 10        | <b>Sales, Solutions, and Legal Information</b> ..... | <b>37</b> |
| Mode 2: 1.8 V ±5% External Supply .....      | 10        | Worldwide Sales and Design Support .....             | 37        |
| <b>Development Support</b> .....             | <b>11</b> | Products .....                                       | 37        |
| Documentation .....                          | 11        | PSoC@Solutions .....                                 | 37        |
| Online .....                                 | 11        | Cypress Developer Community .....                    | 37        |
| Tools .....                                  | 11        | Technical Support .....                              | 37        |
| <b>Electrical Specifications</b> .....       | <b>12</b> |  |           |
| Absolute Maximum Ratings .....               | 12        |  |           |

## Logic Block Diagram

Figure 1. Block Diagram



PSoC 4000S devices include extensive support for programming, testing, debugging, and tracing both hardware and firmware.

The ARM Serial-Wire Debug (SWD) interface supports all programming and debug features of the device.

Complete debug-on-chip functionality enables full-device debugging in the final system using the standard production device. It does not require special interfaces, debugging pods, simulators, or emulators. Only the standard programming connections are required to fully support debug.

The PSoC Creator IDE provides fully integrated programming and debug support for the PSoC 4000S devices. The SWD interface is fully compatible with industry-standard third-party tools. The PSoC 4000S family provides a level of security not possible with multi-chip application solutions or with microcontrollers. It has the following advantages:

- Allows disabling of debug features
- Robust flash protection
- Allows customer-proprietary functionality to be implemented in on-chip programmable blocks

The debug circuits are enabled by default and can be disabled in firmware. If they are not enabled, the only way to re-enable them is to erase the entire device, clear flash protection, and reprogram the device with new firmware that enables debugging. Thus firmware control of debugging cannot be over-ridden without erasing the firmware thus providing security.

Additionally, all device interfaces can be permanently disabled (device security) for applications concerned about phishing attacks due to a maliciously reprogrammed device or attempts to defeat security by starting and interrupting flash programming sequences. All programming, debug, and test interfaces are disabled when maximum device security is enabled. Therefore, PSoC 4000S, with device security enabled, may not be returned for failure analysis. This is a trade-off the PSoC 4000S allows the customer to make.

## Functional Overview

### CPU and Memory Subsystem

#### CPU

The Cortex-M0+ CPU in the PSoC 4000S is part of the 32-bit MCU subsystem, which is optimized for low-power operation with extensive clock gating. Most instructions are 16 bits in length and the CPU executes a subset of the Thumb-2 instruction set. It includes a nested vectored interrupt controller (NVIC) block with eight interrupt inputs and also includes a Wakeup Interrupt Controller (WIC). The WIC can wake the processor from Deep Sleep mode, allowing power to be switched off to the main processor when the chip is in Deep Sleep mode.

The CPU also includes a debug interface, the serial wire debug (SWD) interface, which is a two-wire form of JTAG. The debug configuration used for PSoC 4000S has four breakpoint (address) comparators and two watchpoint (data) comparators.

#### Flash

The PSoC 4000S device has a flash module with a flash accelerator, tightly coupled to the CPU to improve average access times from the flash block. The low-power flash block is designed to deliver two wait-state (WS) access time at 48 MHz. The flash accelerator delivers 85% of single-cycle SRAM access performance on average.

#### SRAM

Four KB of SRAM are provided with zero wait-state access at 48 MHz.

#### SRAM

A supervisory ROM that contains boot and configuration routines is provided.

### System Resources

#### Power System

The power system is described in detail in the section [Power on page 10](#). It provides assurance that voltage levels are as required for each respective mode and either delays mode entry (for example, on power-on reset (POR)) until voltage levels are as required for proper functionality, or generates resets (for example, on brown-out detection). The PSoC 4000S operates with a single external supply over the range of either 1.8 V  $\pm$ 5% (externally regulated) or 1.8 to 5.5 V (internally regulated) and has three different power modes, transitions between which are managed by the power system. The PSoC 4000S provides Active, Sleep, and Deep Sleep low-power modes.

All subsystems are operational in Active mode. The CPU subsystem (CPU, flash, and SRAM) is clock-gated off in Sleep mode, while all peripherals and interrupts are active with instantaneous wake-up on a wake-up event. In Deep Sleep mode, the high-speed clock and associated circuitry is switched off; wake-up from this mode takes 35  $\mu$ s. The opamps can remain operational in Deep Sleep mode.

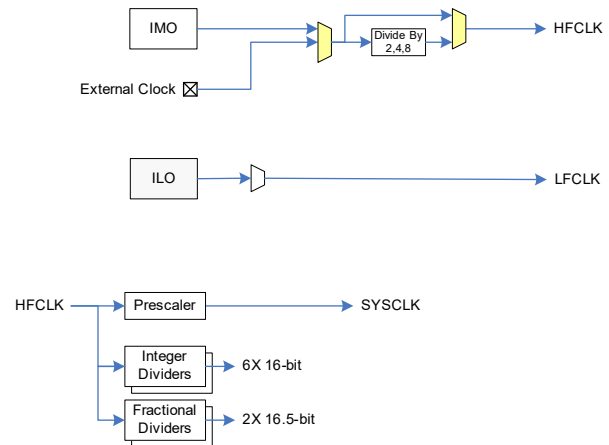
#### Clock System

The PSoC 4000S clock system is responsible for providing clocks to all subsystems that require clocks and for switching between different clock sources without glitching. In addition, the clock system ensures that there are no metastable conditions.

The clock system for the PSoC 4000S consists of the internal main oscillator (IMO), internal low-frequency oscillator (ILO), a 32 kHz Watch Crystal Oscillator (WCO) and provision for an external clock. Clock dividers are provided to generate clocks for peripherals on a fine-grained basis. Fractional dividers are also provided to enable clocking of higher data rates for UARTs.

The HFCLK signal can be divided down to generate synchronous clocks for the analog and digital peripherals. There are eight clock dividers for the PSoC 4000S, two of those are fractional dividers. The 16-bit capability allows flexible generation of fine-grained frequency values, and is fully supported in PSoC Creator.

**Figure 2. PSoC 4000S MCU Clocking Architecture**



#### IMO Clock Source

The IMO is the primary source of internal clocking in the PSoC 4000S. It is trimmed during testing to achieve the specified accuracy. The IMO default frequency is 24 MHz and it can be adjusted from 24 to 48 MHz in steps of 4 MHz. The IMO tolerance with Cypress-provided calibration settings is  $\pm$ 2%.

#### ILO Clock Source

The ILO is a very low power, nominally 40-kHz oscillator, which is primarily used to generate clocks for the watchdog timer (WDT) and peripheral operation in Deep Sleep mode. ILO-driven counters can be calibrated to the IMO to improve accuracy. Cypress provides a software component, which does the calibration.

#### Watch Crystal Oscillator (WCO)

The PSoC 4000S clock subsystem also implements a low-frequency (32-kHz watch crystal) oscillator that can be used for precision timing applications.

### Watchdog Timer

A watchdog timer is implemented in the clock block running from the ILO; this allows watchdog operation during Deep Sleep and generates a watchdog reset if not serviced before the set timeout occurs. The watchdog reset is recorded in a Reset Cause register, which is firmware readable.

### Reset

The PSoC 4000S can be reset from a variety of sources including a software reset. Reset events are asynchronous and guarantee reversion to a known state. The reset cause is recorded in a register, which is sticky through reset and allows software to determine the cause of the reset. An XRES pin is reserved for external reset by asserting it active low. The XRES pin has an internal pull-up resistor that is always enabled.

### Voltage Reference

The PSoC 4000S reference system generates all internally required references. A 1.2-V voltage reference is provided for the comparator. The IDACs are based on a  $\pm 5\%$  reference.

## Analog Blocks

### Low-power Comparators (LPC)

The PSoC 4000S has a pair of low-power comparators, which can also operate in Deep Sleep modes. This allows the analog system blocks to be disabled while retaining the ability to monitor external voltage levels during low-power modes. The comparator outputs are normally synchronized to avoid metastability unless operating in an asynchronous power mode where the system wake-up circuit is activated by a comparator switch event. The LPC outputs can be routed to pins.

### Current DACs

The PSoC 4000S has two IDACs, which can drive any of the pins on the chip. These IDACs have programmable current ranges.

### Analog Multiplexed Buses

The PSoC 4000S has two concentric independent buses that go around the periphery of the chip. These buses (called amux buses) are connected to firmware-programmable analog switches that allow the chip's internal resources (IDACs, comparator) to connect to any pin on the I/O Ports.

## Programmable Digital Blocks

The programmable I/O (Smart I/O) block is a fabric of switches and LUTs that allows Boolean functions to be performed in signals being routed to the pins of a GPIO port. The Smart I/O can perform logical operations on input pins to the chip and on signals going out as outputs.

## Fixed Function Digital

### Timer/Counter/PWM (TCPWM) Block

The TCPWM block consists of a 16-bit counter with user-programmable period length. There is a capture register to record the count value at the time of an event (which may be an I/O event), a period register that is used to either stop or auto-reload the counter when its count is equal to the period register, and compare registers to generate compare value signals that are used as PWM duty cycle outputs. The block also provides true and complementary outputs with programmable offset between them to allow use as dead-band programmable complementary PWM outputs. It also has a Kill input to force outputs to a predetermined state; for example, this is used in motor drive systems when an over-current state is indicated and the PWM driving the FETs needs to be shut off immediately with no time for software intervention. There are five TCPWM blocks in the PSoC 4000S.

### Serial Communication Block (SCB)

The PSoC 4000S has two serial communication blocks, which can be programmed to have SPI, I2C, or UART functionality.

**I<sup>2</sup>C Mode:** The hardware I<sup>2</sup>C block implements a full multi-master and slave interface (it is capable of multi-master arbitration). This block is capable of operating at speeds of up to 400 kbps (Fast Mode) and has flexible buffering options to reduce interrupt overhead and latency for the CPU. It also supports EZI2C that creates a mailbox address range in the memory of the PSoC 4000S and effectively reduces I<sup>2</sup>C communication to reading from and writing to an array in memory. In addition, the block supports an 8-deep FIFO for receive and transmit which, by increasing the time given for the CPU to read data, greatly reduces the need for clock stretching caused by the CPU not having read data on time.

The I<sup>2</sup>C peripheral is compatible with the I<sup>2</sup>C Standard-mode and Fast-mode devices as defined in the NXP I<sup>2</sup>C-bus specification and user manual (UM10204). The I<sup>2</sup>C bus I/O is implemented with GPIO in open-drain modes.

The PSoC 4000S is not completely compliant with the I<sup>2</sup>C spec in the following respect:

- GPIO cells are not overvoltage tolerant and, therefore, cannot be hot-swapped or powered up independently of the rest of the I<sup>2</sup>C system.

**UART Mode:** This is a full-feature UART operating at up to 1 Mbps. It supports automotive single-wire interface (LIN), infrared interface (IrDA), and SmartCard (ISO7816) protocols, all of which are minor variants of the basic UART protocol. In addition, it supports the 9-bit multiprocessor mode that allows addressing of peripherals connected over common RX and TX lines. Common UART functions such as parity error, break detect, and frame error are supported. An 8-deep FIFO allows much greater CPU service latencies to be tolerated.

**SPI Mode:** The SPI mode supports full Motorola SPI, TI SSP (adds a start pulse used to synchronize SPI Codecs), and National Microwire (half-duplex form of SPI). The SPI block can use the FIFO.

## GPIO

The PSoC 4000S has up to 36 GPIOs. The GPIO block implements the following:

- Eight drive modes:
  - Analog input mode (input and output buffers disabled)
  - Input only
  - Weak pull-up with strong pull-down
  - Strong pull-up with weak pull-down
  - Open drain with strong pull-down
  - Open drain with strong pull-up
  - Strong pull-up with strong pull-down
  - Weak pull-up with weak pull-down
- Input threshold select (CMOS or LVTTTL).
- Individual control of input and output buffer enabling/disabling in addition to the drive strength modes
- Selectable slew rates for dV/dt related noise control to improve EMI

The pins are organized in logical entities called ports, which are 8-bit in width (less for Ports 2 and 3). During power-on and reset, the blocks are forced to the disable state so as not to crowbar any inputs and/or cause excess turn-on current. A multiplexing network known as a high-speed I/O matrix is used to multiplex between various signals that may connect to an I/O pin.

Data output and pin state registers store, respectively, the values to be driven on the pins and the states of the pins themselves.

Every I/O pin can generate an interrupt if so enabled and each I/O port has an interrupt request (IRQ) and interrupt service routine (ISR) vector associated with it (5 for PSoC 4000S).

## Special Function Peripherals

### CapSense

CapSense is supported in the PSoC 4000S through a CapSense Sigma-Delta (CSD) block that can be connected to any pins through an analog multiplex bus via analog switches. CapSense function can thus be provided on any available pin or group of pins in a system under software control. A PSoC Creator component is provided for the CapSense block to make it easy for the user.

Shield voltage can be driven on another analog multiplex bus to provide water-tolerance capability. Water tolerance is provided by driving the shield electrode in phase with the sense electrode to keep the shield capacitance from attenuating the sensed input. Proximity sensing can also be implemented.

The CapSense block has two IDACs, which can be used for general purposes if CapSense is not being used (both IDACs are available in that case) or if CapSense is used without water tolerance (one IDAC is available).

The CapSense block also provides a 10-bit Slope ADC function, which can be used in conjunction with the CapSense function.

The CapSense block is an advanced, low-noise, programmable block with programmable voltage references and current source ranges for improved sensitivity and flexibility. It can also use an external reference voltage. It has a full-wave CSD mode that alternates sensing to VDDA and Ground to null out power-supply related noise.

### LCD Segment Drive

The PSoC 4000S has an LCD controller, which can drive up to 8 commons and up to 28 segments. It uses full digital methods to drive the LCD segments requiring no generation of internal LCD voltages. The two methods used are referred to as Digital Correlation and PWM. Digital Correlation pertains to modulating the frequency and drive levels of the common and segment signals to generate the highest RMS voltage across a segment to light it up or to keep the RMS signal to zero. This method is good for STN displays but may result in reduced contrast with TN (cheaper) displays. PWM pertains to driving the panel with PWM signals to effectively use the capacitance of the panel to provide the integration of the modulated pulse-width to generate the desired LCD voltage. This method results in higher power consumption but can result in better results when driving TN displays. LCD operation is supported during Deep Sleep refreshing a small display buffer (4 bits; 1 32-bit register per port).



## Pinouts

The following table provides the pin list for PSoC 4000S for the 48-pin TQFP, 40-pin QFN, 32-pin QFN, 24-pin QFN, 32-pin TQFP, and 25-ball CSP packages. All port pins support GPIO. Pin 11 is a No-Connect in the 48-TQFP.

**Table 1. PSoC 4000S Pin List**

| 48-pin TQFP |      | 32-pin QFN |      | 24-pin QFN |      | 25-ball CSP |      | 40-pin QFN |      | 32-pin TQFP |      |
|-------------|------|------------|------|------------|------|-------------|------|------------|------|-------------|------|
| Pin         | Name | Pin        | Name | Pin        | Name | Pin         | Name | Pin        | Name | Pin         | Name |
| 28          | P0.0 | 17         | P0.0 | 13         | P0.0 | D1          | P0.0 | 22         | P0.0 | 17          | P0.0 |
| 29          | P0.1 | 18         | P0.1 | 14         | P0.1 | C3          | P0.1 | 23         | P0.1 | 18          | P0.1 |
| 30          | P0.2 | 19         | P0.2 |            |      |             |      | 24         | P0.2 | 19          | P0.2 |
| 31          | P0.3 | 20         | P0.3 |            |      |             |      | 25         | P0.3 | 20          | P0.3 |
| 32          | P0.4 | 21         | P0.4 | 15         | P0.4 | C2          | P0.4 | 26         | P0.4 | 21          | P0.4 |
| 33          | P0.5 | 22         | P0.5 | 16         | P0.5 | C1          | P0.5 | 27         | P0.5 | 22          | P0.5 |
| 34          | P0.6 | 23         | P0.6 | 17         | P0.6 | B1          | P0.6 | 28         | P0.6 | 23          | P0.6 |
| 35          | P0.7 |            |      |            |      | B2          | P0.7 | 29         | P0.7 |             |      |
| 36          | XRES | 24         | XRES | 18         | XRES | B3          | XRES | 30         | XRES | 24          | XRES |
| 37          | VCCD | 25         | VCCD | 19         | VCCD | A1          | VCCD | 31         | VCCD | 25          | VCCD |
| 38          | VSSD | 26         | VSSD | 20         | VSSD | A2          | VSS  |            |      | 26          | VSSD |
| 39          | VDDD | 27         | VDD  | 21         | VDD  | A3          | VDD  | 32         | VDDD | 27          | VDD  |
| 40          | VDDA | 27         | VDD  | 21         | VDD  | A3          | VDD  | 33         | VDDA | 27          | VDD  |
| 41          | VSSA | 28         | VSSA | 22         | VSSA | A2          | VSS  | 34         | VSSA | 28          | VSSA |
| 42          | P1.0 | 29         | P1.0 |            |      |             |      | 35         | P1.0 | 29          | P1.0 |
| 43          | P1.1 | 30         | P1.1 |            |      |             |      | 36         | P1.1 | 30          | P1.1 |
| 44          | P1.2 | 31         | P1.2 | 23         | P1.2 | A4          | P1.2 | 37         | P1.2 | 31          | P1.2 |
| 45          | P1.3 | 32         | P1.3 | 24         | P1.3 | B4          | P1.3 | 38         | P1.3 | 32          | P1.3 |
| 46          | P1.4 |            |      |            |      |             |      | 39         | P1.4 |             |      |
| 47          | P1.5 |            |      |            |      |             |      |            |      |             |      |
| 48          | P1.6 |            |      |            |      |             |      |            |      |             |      |
| 1           | P1.7 | 1          | P1.7 | 1          | P1.7 | A5          | P1.7 | 40         | P1.7 | 1           | P1.7 |
| 2           | P2.0 | 2          | P2.0 | 2          | P2.0 | B5          | P2.0 | 1          | P2.0 | 2           | P2.0 |
| 3           | P2.1 | 3          | P2.1 | 3          | P2.1 | C5          | P2.1 | 2          | P2.1 | 3           | P2.1 |
| 4           | P2.2 | 4          | P2.2 |            |      |             |      | 3          | P2.2 | 4           | P2.2 |
| 5           | P2.3 | 5          | P2.3 |            |      |             |      | 4          | P2.3 | 5           | P2.3 |
| 6           | P2.4 |            |      |            |      |             |      | 5          | P2.4 |             |      |
| 7           | P2.5 | 6          | P2.5 |            |      |             |      | 6          | P2.5 | 6           | P2.5 |
| 8           | P2.6 | 7          | P2.6 | 4          | P2.6 | D5          | P2.6 | 7          | P2.6 | 7           | P2.6 |
| 9           | P2.7 | 8          | P2.7 | 5          | P2.7 | C4          | P2.7 | 8          | P2.7 | 8           | P2.7 |
| 10          | VSSD |            |      |            |      | A2          | VSS  | 9          | VSSD |             |      |
| 12          | P3.0 | 9          | P3.0 | 6          | P3.0 | E5          | P3.0 | 10         | P3.0 | 9           | P3.0 |
| 13          | P3.1 | 10         | P3.1 |            |      | D4          | P3.1 | 11         | P3.1 | 10          | P3.1 |
| 14          | P3.2 | 11         | P3.2 | 7          | P3.2 | E4          | P3.2 | 12         | P3.2 | 11          | P3.2 |
| 16          | P3.3 | 12         | P3.3 | 8          | P3.3 | D3          | P3.3 | 13         | P3.3 | 12          | P3.3 |

**Table 1. PSoC 4000S Pin List (continued)**

| 48-pin TQFP |      | 32-pin QFN |      | 24-pin QFN |      | 25-ball CSP |      | 40-pin QFN |      | 32-pin TQFP |      |
|-------------|------|------------|------|------------|------|-------------|------|------------|------|-------------|------|
| Pin         | Name | Pin        | Name | Pin        | Name | Pin         | Name | Pin        | Name | Pin         | Name |
| 17          | P3.4 |            |      |            |      |             |      | 14         | P3.4 |             |      |
| 18          | P3.5 |            |      |            |      |             |      | 15         | P3.5 |             |      |
| 19          | P3.6 |            |      |            |      |             |      | 16         | P3.6 |             |      |
| 20          | P3.7 |            |      |            |      |             |      | 17         | P3.7 |             |      |
| 21          | VDDD |            |      |            |      |             |      |            |      |             |      |
| 22          | P4.0 | 13         | P4.0 | 9          | P4.0 | E3          | P4.0 | 18         | P4.0 | 13          | P4.0 |
| 23          | P4.1 | 14         | P4.1 | 10         | P4.1 | D2          | P4.1 | 19         | P4.1 | 14          | P4.1 |
| 24          | P4.2 | 15         | P4.2 | 11         | P4.2 | E2          | P4.2 | 20         | P4.2 | 15          | P4.2 |
| 25          | P4.3 | 16         | P4.3 | 12         | P4.3 | E1          | P4.3 | 21         | P4.3 | 16          | P4.3 |

**Descriptions of the Pin functions are as follows:**

**VDDD:** Power supply for the digital section.

**VDDA:** Power supply for the analog section.

**VSSD, VSSA:** Ground pins for the digital and analog sections respectively.

**VCCD:** Regulated digital supply (1.8 V  $\pm$ 5%)

**VDD:** Power supply to all sections of the chip

**VSS:** Ground for all sections of the chip

### Alternate Pin Functions

Each port pin can be assigned to one of multiple functions; it can, for instance, be an analog I/O, a digital peripheral function, an LCD pin, or a CapSense pin. The pin assignments are shown in the following table.

| Port/<br>Pin | Analog         | Smart I/O | Alternate Function 1  | Alternate Function 2 | Alternate Function 3 | Deep Sleep 1     | Deep Sleep 2         |
|--------------|----------------|-----------|-----------------------|----------------------|----------------------|------------------|----------------------|
| P0.0         | lpcomp.in_p[0] |           |                       |                      | tcpwm.tr_in[0]       |                  | scb[0].spi_select1:0 |
| P0.1         | lpcomp.in_n[0] |           |                       |                      | tcpwm.tr_in[1]       |                  | scb[0].spi_select2:0 |
| P0.2         | lpcomp.in_p[1] |           |                       |                      |                      |                  | scb[0].spi_select3:0 |
| P0.3         | lpcomp.in_n[1] |           |                       |                      |                      |                  |                      |
| P0.4         | wco.wco_in     |           |                       | scb[1].uart_rx:0     |                      | scb[1].i2c_scl:0 | scb[1].spi_mosi:1    |
| P0.5         | wco.wco_out    |           |                       | scb[1].uart_tx:0     |                      | scb[1].i2c_sda:0 | scb[1].spi_miso:1    |
| P0.6         |                |           | srss.ext_clk          | scb[1].uart_cts:0    |                      |                  | scb[1].spi_clk:1     |
| P0.7         |                |           |                       | scb[1].uart_rts:0    |                      |                  | scb[1].spi_select0:1 |
| P1.0         |                |           | tcpwm.line[2]:1       | scb[0].uart_rx:1     |                      | scb[0].i2c_scl:0 | scb[0].spi_mosi:1    |
| P1.1         |                |           | tcpwm.line_compl[2]:1 | scb[0].uart_tx:1     |                      | scb[0].i2c_sda:0 | scb[0].spi_miso:1    |
| P1.2         |                |           | tcpwm.line[3]:1       | scb[0].uart_cts:1    | tcpwm.tr_in[2]       |                  | scb[0].spi_clk:1     |
| P1.3         |                |           | tcpwm.line_compl[3]:1 | scb[0].uart_rts:1    | tcpwm.tr_in[3]       |                  | scb[0].spi_select0:1 |
| P1.4         |                |           |                       |                      |                      |                  | scb[0].spi_select1:1 |
| P1.5         |                |           |                       |                      |                      |                  | scb[0].spi_select2:1 |

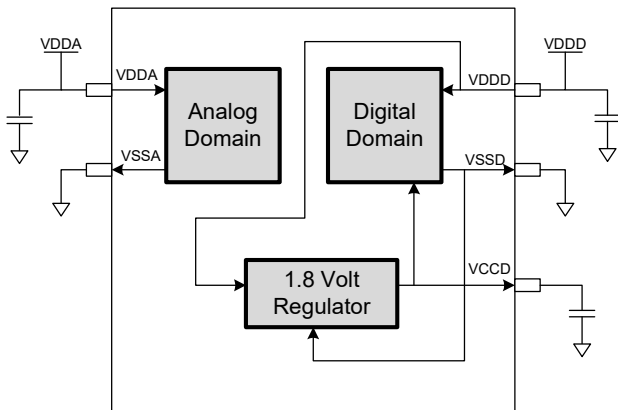


| Port/<br>Pin | Analog          | Smart I/O      | Alternate Function 1  | Alternate Function 2 | Alternate Function 3 | Deep Sleep 1     | Deep Sleep 2         |
|--------------|-----------------|----------------|-----------------------|----------------------|----------------------|------------------|----------------------|
| P1.6         |                 |                |                       |                      |                      |                  | scb[0].spi_select3:1 |
| P1.7         |                 |                |                       |                      |                      |                  |                      |
| P2.0         |                 | prgio[0].io[0] | tcpwm.line[4]:0       | csd.comp             | tcpwm.tr_in[4]       | scb[1].i2c_scl:1 | scb[1].spi_mosi:2    |
| P2.1         |                 | prgio[0].io[1] | tcpwm.line_compl[4]:0 |                      | tcpwm.tr_in[5]       | scb[1].i2c_sda:1 | scb[1].spi_miso:2    |
| P2.2         |                 | prgio[0].io[2] |                       |                      |                      |                  | scb[1].spi_clk:2     |
| P2.3         |                 | prgio[0].io[3] |                       |                      |                      |                  | scb[1].spi_select0:2 |
| P2.4         |                 | prgio[0].io[4] | tcpwm.line[0]:1       |                      |                      |                  | scb[1].spi_select1:1 |
| P2.5         |                 | prgio[0].io[5] | tcpwm.line_compl[0]:1 |                      |                      |                  | scb[1].spi_select2:1 |
| P2.6         |                 | prgio[0].io[6] | tcpwm.line[1]:1       |                      |                      |                  | scb[1].spi_select3:1 |
| P2.7         |                 | prgio[0].io[7] | tcpwm.line_compl[1]:1 |                      |                      | lpcomp.comp[0]:1 |                      |
| P3.0         |                 | prgio[1].io[0] | tcpwm.line[0]:0       | scb[1].uart_rx:1     |                      | scb[1].i2c_scl:2 | scb[1].spi_mosi:0    |
| P3.1         |                 | prgio[1].io[1] | tcpwm.line_compl[0]:0 | scb[1].uart_tx:1     |                      | scb[1].i2c_sda:2 | scb[1].spi_miso:0    |
| P3.2         |                 | prgio[1].io[2] | tcpwm.line[1]:0       | scb[1].uart_cts:1    |                      | cpuss.swd_data   | scb[1].spi_clk:0     |
| P3.3         |                 | prgio[1].io[3] | tcpwm.line_compl[1]:0 | scb[1].uart_rts:1    |                      | cpuss.swd_clk    | scb[1].spi_select0:0 |
| P3.4         |                 | prgio[1].io[4] | tcpwm.line[2]:0       |                      | tcpwm.tr_in[6]       |                  | scb[1].spi_select1:0 |
| P3.5         |                 | prgio[1].io[5] | tcpwm.line_compl[2]:0 |                      | tcpwm.tr_in[7]       |                  | scb[1].spi_select2:0 |
| P3.6         |                 | prgio[1].io[6] | tcpwm.line[3]:0       |                      | tcpwm.tr_in[8]       |                  | scb[1].spi_select3:0 |
| P3.7         |                 | prgio[1].io[7] | tcpwm.line_compl[3]:0 |                      | tcpwm.tr_in[9]       | lpcomp.comp[1]:1 |                      |
| P4.0         | csd.vref_ext    |                |                       | scb[0].uart_rx:0     | tcpwm.tr_in[10]      | scb[0].i2c_scl:1 | scb[0].spi_mosi:0    |
| P4.1         | csd.cshieldpads |                |                       | scb[0].uart_tx:0     | tcpwm.tr_in[11]      | scb[0].i2c_sda:1 | scb[0].spi_miso:0    |
| P4.2         | csd.cmodpad     |                |                       | scb[0].uart_cts:0    |                      | lpcomp.comp[0]:0 | scb[0].spi_clk:0     |
| P4.3         | csd.csh_tank    |                |                       | scb[0].uart_rts:0    |                      | lpcomp.comp[1]:0 | scb[0].spi_select0:0 |
|              |                 |                |                       |                      |                      |                  |                      |

## Power

The following power system diagram shows the set of power supply pins as implemented for the PSoC 4000S. The system has one regulator in Active mode for the digital circuitry. There is no analog regulator; the analog circuits run directly from the V<sub>DD</sub> input.

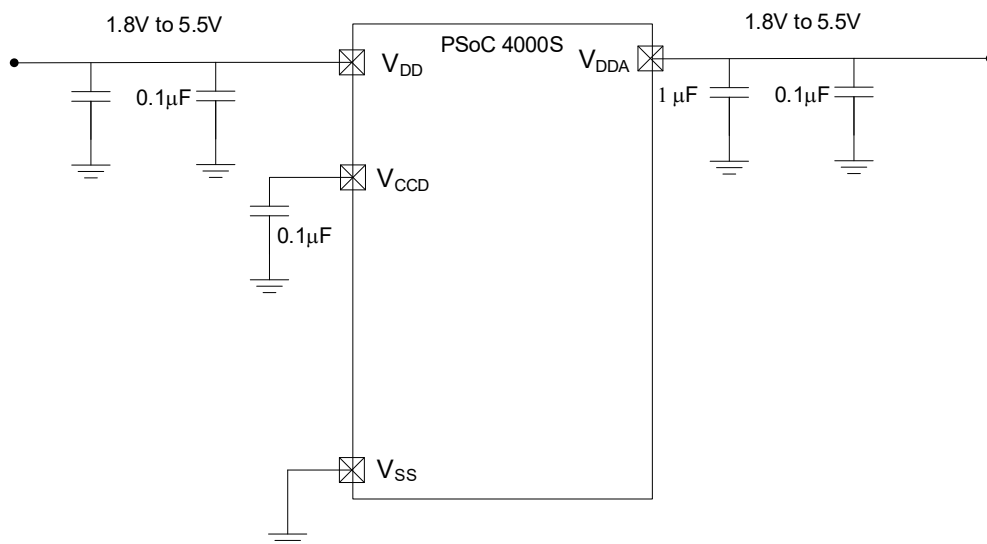
**Figure 3. Power Supply Connections**



There are two distinct modes of operation. In Mode 1, the supply voltage range is 1.8 V to 5.5 V (unregulated externally; internal regulator operational). In Mode 2, the supply range is 1.8 V ±5% (externally regulated; 1.71 to 1.89, internal regulator bypassed).

**Figure 4. External Supply Range from 1.8 V to 5.5 V with Internal Regulator Active**

Power supply bypass connections example



### Mode 1: 1.8 V to 5.5 V External Supply

In this mode, the PSoC 4000S is powered by an external power supply that can be anywhere in the range of 1.8 to 5.5 V. This range is also designed for battery-powered operation. For example, the chip can be powered from a battery system that starts at 3.5 V and works down to 1.8 V. In this mode, the internal regulator of the PSoC 4000S supplies the internal logic and its output is connected to the V<sub>CCD</sub> pin. The V<sub>CCD</sub> pin must be bypassed to ground via an external capacitor (0.1 µF; X5R ceramic or better) and must not be connected to anything else.

### Mode 2: 1.8 V ±5% External Supply

In this mode, the PSoC 4000S is powered by an external power supply that must be within the range of 1.71 to 1.89 V; note that this range needs to include the power supply ripple too. In this mode, the V<sub>DD</sub> and V<sub>CCD</sub> pins are shorted together and bypassed. The internal regulator can be disabled in the firmware.

Bypass capacitors must be used from V<sub>DDD</sub> to ground. The typical practice for systems in this frequency range is to use a capacitor in the 1-µF range, in parallel with a smaller capacitor (0.1 µF, for example). Note that these are simply rules of thumb and that, for critical applications, the PCB layout, lead inductance, and the bypass capacitor parasitic should be simulated to design and obtain optimal bypassing.

An example of a bypass scheme is shown in the following diagram.

## Development Support

The PSoC 4000S has a rich set of documentation, development tools, and online resources to assist you during your development process. Visit [www.cypress.com/go/psoc4](http://www.cypress.com/go/psoc4) to find out more.

### Documentation

A suite of documentation supports the PSoC 4000S to ensure that you can find answers to your questions quickly. This section contains a list of some of the key documents.

**Software User Guide:** A step-by-step guide for using PSoC Creator. The software user guide shows you how the PSoC Creator build process works in detail, how to use source control with PSoC Creator, and much more.

**Component Datasheets:** The flexibility of PSoC allows the creation of new peripherals (components) long after the device has gone into production. Component data sheets provide all of the information needed to select and use a particular component, including a functional description, API documentation, example code, and AC/DC specifications.

**Application Notes:** PSoC application notes discuss a particular application of PSoC in depth; examples include brushless DC motor control and on-chip filtering. Application notes often include example projects in addition to the application note document.

**Technical Reference Manual:** The Technical Reference Manual (TRM) contains all the technical detail you need to use a PSoC device, including a complete description of all PSoC registers. The TRM is available in the Documentation section at [www.cypress.com/psoc4](http://www.cypress.com/psoc4).

### Online

In addition to print documentation, the Cypress PSoC forums connect you with fellow PSoC users and experts in PSoC from around the world, 24 hours a day, 7 days a week.

### Tools

With industry standard cores, programming, and debugging interfaces, the PSoC 4000S is part of a development tool ecosystem. Visit us at [www.cypress.com/go/psoccreator](http://www.cypress.com/go/psoccreator) for the latest information on the revolutionary, easy to use PSoC Creator IDE, supported third party compilers, programmers, debuggers, and development kits.

## Electrical Specifications

### Absolute Maximum Ratings

Table 2. Absolute Maximum Ratings<sup>[1]</sup>

| Spec ID# | Parameter                   | Description  | Min  | Typ | Max                  | Units | Details/<br>Conditions   |
|----------|-----------------------------|--|------|-----|----------------------|-------|--------------------------|
| SID1     | V <sub>DDD_ABS</sub>        | Digital supply relative to V <sub>SS</sub>   | -0.5 | -   | 6                    | V     | -                        |
| SID2     | V <sub>CCD_ABS</sub>        | Direct digital core voltage input relative to V <sub>SS</sub>  | -0.5 | -   | 1.95                 |       | -                        |
| SID3     | V <sub>GPIO_ABS</sub>       | GPIO voltage   | -0.5 | -   | V <sub>DD</sub> +0.5 |       | -                        |
| SID4     | I <sub>GPIO_ABS</sub>       | Maximum current per GPIO   | -25  | -   | 25                   | mA    | -                        |
| SID5     | I <sub>GPIO_injection</sub> | GPIO injection current, Max for V <sub>IH</sub> > V <sub>DDD</sub> , and Min for V <sub>IL</sub> < V <sub>SS</sub> | -0.5 | -   | 0.5                  |       | Current injected per pin |
| BID44    | ESD_HBM                     | Electrostatic discharge human body model   | 2200 | -   | -                    | V     | -                        |
| BID45    | ESD_CDM                     | Electrostatic discharge charged device model   | 500  | -   | -                    |       | -                        |
| BID46    | LU                          | Pin current for latch-up   | -140 | -   | 140                  | mA    | -                        |

#### Note

- Usage above the absolute maximum conditions listed in Table 2 may cause permanent damage to the device. Exposure to Absolute Maximum conditions for extended periods of time may affect device reliability. The Maximum Storage Temperature is 150 °C in compliance with JEDEC Standard JESD22-A103, High Temperature Storage Life. When used below Absolute Maximum conditions but above normal operating conditions, the device may not operate to specification.

## Device Level Specifications

All specifications are valid for  $-40\text{ }^{\circ}\text{C} \leq T_A \leq 85\text{ }^{\circ}\text{C}$  and  $T_J \leq 100\text{ }^{\circ}\text{C}$ , except where noted. Specifications are valid for 1.71 V to 5.5 V, except where noted.

**Table 3. DC Specifications**

Typical values measured at  $V_{DD} = 3.3\text{ V}$  and  $25\text{ }^{\circ}\text{C}$ .

| Spec ID#  | Parameter    | Description   | Min  | Typ | Max  | Units         | Details/<br>Conditions        |
|---|--------------|---|------|-----|------|---------------|-------------------------------|
| SID53   | $V_{DD}$     | Power supply input voltage                                  | 1.8  | –   | 5.5  | V             | Internally regulated supply   |
| SID255  | $V_{DD}$     | Power supply input voltage ( $V_{CCD} = V_{DD} = V_{DDA}$ ) | 1.71 | –   | 1.89 |               | Internally unregulated supply |
| SID54   | $V_{CCD}$    | Output voltage (for core logic)                             | –    | 1.8 | –    |               | –                             |
| SID55   | $C_{EFC}$    | External regulator voltage bypass                           | –    | 0.1 | –    | $\mu\text{F}$ | X5R ceramic or better         |
| SID56   | $C_{EXC}$    | Power supply bypass capacitor                               | –    | 1   | –    |               | X5R ceramic or better         |
| <b>Active Mode, <math>V_{DD} = 1.8\text{ V}</math> to <math>5.5\text{ V}</math>. Typical values measured at <math>V_{DD} = 3.3\text{ V}</math> and <math>25\text{ }^{\circ}\text{C}</math>.</b> |              |   |      |     |      |               |                               |
| SID10   | $I_{DD5}$    | Execute from flash; CPU at 6 MHz                            | –    | 1.2 | 2.0  | mA            | –                             |
| SID16   | $I_{DD8}$    | Execute from flash; CPU at 24 MHz                           | –    | 2.4 | 4.0  |               | –                             |
| SID19   | $I_{DD11}$   | Execute from flash; CPU at 48 MHz                           | –    | 4.6 | 5.9  |               | –                             |
| <b>Sleep Mode, <math>V_{DDD} = 1.8\text{ V}</math> to <math>5.5\text{ V}</math> (Regulator on)</b>  |              |   |      |     |      |               |                               |
| SID22   | $I_{DD17}$   | I <sup>2</sup> C wakeup WDT, and Comparators on             | –    | 1.1 | 1.6  | mA            | 6 MHz                         |
| SID25   | $I_{DD20}$   | I <sup>2</sup> C wakeup, WDT, and Comparators on            | –    | 1.4 | 1.9  |               | 12 MHz                        |
| <b>Sleep Mode, <math>V_{DDD} = 1.71\text{ V}</math> to <math>1.89\text{ V}</math> (Regulator bypassed)</b>  |              |   |      |     |      |               |                               |
| SID28   | $I_{DD23}$   | I <sup>2</sup> C wakeup, WDT, and Comparators on            | –    | 0.7 | 0.9  | mA            | 6 MHz                         |
| SID28A  | $I_{DD23A}$  | I <sup>2</sup> C wakeup, WDT, and Comparators on            | –    | 0.9 | 1.1  | mA            | 12 MHz                        |
| <b>Deep Sleep Mode, <math>V_{DD} = 1.8\text{ V}</math> to <math>3.6\text{ V}</math> (Regulator on)</b>  |              |   |      |     |      |               |                               |
| SID31   | $I_{DD26}$   | I <sup>2</sup> C wakeup and WDT on                          | –    | 2.5 | 60   | $\mu\text{A}$ | –                             |
| <b>Deep Sleep Mode, <math>V_{DD} = 3.6\text{ V}</math> to <math>5.5\text{ V}</math> (Regulator on)</b>  |              |   |      |     |      |               |                               |
| SID34   | $I_{DD29}$   | I <sup>2</sup> C wakeup and WDT on                          | –    | 2.5 | 60   | $\mu\text{A}$ | –                             |
| <b>Deep Sleep Mode, <math>V_{DD} = V_{CCD} = 1.71\text{ V}</math> to <math>1.89\text{ V}</math> (Regulator bypassed)</b>  |              |   |      |     |      |               |                               |
| SID37   | $I_{DD32}$   | I <sup>2</sup> C wakeup and WDT on                          | –    | 2.5 | 60   | $\mu\text{A}$ | –                             |
| <b>XRES Current</b>   |              |   |      |     |      |               |                               |
| SID307  | $I_{DD\_XR}$ | Supply current while XRES asserted                          | –    | 2   | 5    | mA            | –                             |

**Table 4. AC Specifications**

| Spec ID#             | Parameter       | Description                 | Min | Typ | Max | Units         | Details/<br>Conditions      |
|----------------------|-----------------|-----------------------------|-----|-----|-----|---------------|-----------------------------|
| SID48                | $F_{CPU}$       | CPU frequency               | DC  | –   | 48  | MHz           | $1.71 \leq V_{DD} \leq 5.5$ |
| SID49 <sup>[3]</sup> | $T_{SLEEP}$     | Wakeup from Sleep mode      | –   | 0   | –   | $\mu\text{s}$ |                             |
| SID50 <sup>[3]</sup> | $T_{DEEPSLEEP}$ | Wakeup from Deep Sleep mode | –   | 35  | –   |               |                             |

**Note**

2. Guaranteed by characterization.

**GPIO**
**Table 5. GPIO DC Specifications**

| Spec ID#              | Parameter        | Description   | Min                   | Typ | Max                  | Units   | Details/<br>Conditions             |
|-----------------------|------------------|---|-----------------------|-----|----------------------|---------|------------------------------------|
| SID57                 | $V_{IH}^{[3]}$   | Input voltage high threshold                        | $0.7 \times V_{DDD}$  | –   | –                    | V       | CMOS Input                         |
| SID58                 | $V_{IL}$         | Input voltage low threshold                         | –                     | –   | $0.3 \times V_{DDD}$ |         | CMOS Input                         |
| SID241                | $V_{IH}^{[3]}$   | LVTTL input, $V_{DDD} < 2.7$ V                      | $0.7 \times V_{DDD}$  | –   | –                    |         | –                                  |
| SID242                | $V_{IL}$         | LVTTL input, $V_{DDD} < 2.7$ V                      | –                     | –   | $0.3 \times V_{DDD}$ |         | –                                  |
| SID243                | $V_{IH}^{[3]}$   | LVTTL input, $V_{DDD} \geq 2.7$ V                   | 2.0                   | –   | –                    |         | –                                  |
| SID244                | $V_{IL}$         | LVTTL input, $V_{DDD} \geq 2.7$ V                   | –                     | –   | 0.8                  |         | –                                  |
| SID59                 | $V_{OH}$         | Output voltage high level                           | $V_{DDD} - 0.6$       | –   | –                    |         | $I_{OH} = 4$ mA at 3 V $V_{DDD}$   |
| SID60                 | $V_{OH}$         | Output voltage high level                           | $V_{DDD} - 0.5$       | –   | –                    |         | $I_{OH} = 1$ mA at 3 V $V_{DDD}$   |
| SID61                 | $V_{OL}$         | Output voltage low level                            | –                     | –   | 0.6                  |         | $I_{OL} = 4$ mA at 1.8 V $V_{DDD}$ |
| SID62                 | $V_{OL}$         | Output voltage low level                            | –                     | –   | 0.6                  |         | $I_{OL} = 10$ mA at 3 V $V_{DDD}$  |
| SID62A                | $V_{OL}$         | Output voltage low level                            | –                     | –   | 0.4                  |         | $I_{OL} = 3$ mA at 3 V $V_{DDD}$   |
| SID63                 | $R_{PULLUP}$     | Pull-up resistor                                    | 3.5                   | 5.6 | 8.5                  |         | k $\Omega$                         |
| SID64                 | $R_{PULLDOWN}$   | Pull-down resistor                                  | 3.5                   | 5.6 | 8.5                  | –       |                                    |
| SID65                 | $I_{IL}$         | Input leakage current (absolute value)              | –                     | –   | 2                    | nA      | 25 °C, $V_{DDD} = 3.0$ V           |
| SID66                 | $C_{IN}$         | Input capacitance                                   | –                     | –   | 7                    | pF      | –                                  |
| SID67 <sup>[4]</sup>  | $V_{HYSTTL}$     | Input hysteresis LVTTL                              | 25                    | 40  | –                    | mV      | $V_{DDD} \geq 2.7$ V               |
| SID68 <sup>[4]</sup>  | $V_{HYSCMOS}$    | Input hysteresis CMOS                               | $0.05 \times V_{DDD}$ | –   | –                    |         | $V_{DD} < 4.5$ V                   |
| SID68A <sup>[4]</sup> | $V_{HYSCMOS5V5}$ | Input hysteresis CMOS                               | 200                   | –   | –                    |         | $V_{DD} > 4.5$ V                   |
| SID69 <sup>[4]</sup>  | $I_{DIODE}$      | Current through protection diode to $V_{DD}/V_{SS}$ | –                     | –   | 100                  | $\mu$ A | –                                  |
| SID69A <sup>[4]</sup> | $I_{TOT\_GPIO}$  | Maximum total source or sink chip current           | –                     | –   | 200                  | mA      | –                                  |

**Notes**

3.  $V_{IH}$  must not exceed  $V_{DDD} + 0.2$  V.
4. Guaranteed by characterization.

**Table 6. GPIO AC Specifications**

(Guaranteed by Characterization)

| Spec ID# | Parameter             | Description  | Min | Typ | Max  | Units | Details/<br>Conditions                  |
|----------|-----------------------|--|-----|-----|------|-------|---|
| SID70    | T <sub>RISEF</sub>    | Rise time in fast strong mode  | 2   | –   | 12   | ns    | 3.3 V V <sub>DDD</sub> , Load = 25 pF   |
| SID71    | T <sub>FALLF</sub>    | Fall time in fast strong mode  | 2   | –   | 12   |       | 3.3 V V <sub>DDD</sub> , Load = 25 pF   |
| SID72    | T <sub>RISES</sub>    | Rise time in slow strong mode  | 10  | –   | 60   | –     | 3.3 V V <sub>DDD</sub> , Load = 25 pF   |
| SID73    | T <sub>FALLS</sub>    | Fall time in slow strong mode  | 10  | –   | 60   | –     | 3.3 V V <sub>DDD</sub> , Load = 25 pF   |
| SID74    | F <sub>GPIOOUT1</sub> | GPIO F <sub>OUT</sub> ; 3.3 V ≤ V <sub>DDD</sub> ≤ 5.5 V<br>Fast strong mode   | –   | –   | 33   | MHz   | 90/10%, 25 pF load,<br>60/40 duty cycle |
| SID75    | F <sub>GPIOOUT2</sub> | GPIO F <sub>OUT</sub> ; 1.71 V ≤ V <sub>DDD</sub> ≤ 3.3 V<br>Fast strong mode  | –   | –   | 16.7 |       | 90/10%, 25 pF load,<br>60/40 duty cycle |
| SID76    | F <sub>GPIOOUT3</sub> | GPIO F <sub>OUT</sub> ; 3.3 V ≤ V <sub>DDD</sub> ≤ 5.5 V<br>Slow strong mode   | –   | –   | 7    |       | 90/10%, 25 pF load,<br>60/40 duty cycle |
| SID245   | F <sub>GPIOOUT4</sub> | GPIO F <sub>OUT</sub> ; 1.71 V ≤ V <sub>DDD</sub> ≤ 3.3 V<br>Slow strong mode. | –   | –   | 3.5  |       | 90/10%, 25 pF load,<br>60/40 duty cycle |
| SID246   | F <sub>GPIOIN</sub>   | GPIO input operating frequency;<br>1.71 V ≤ V <sub>DDD</sub> ≤ 5.5 V           | –   | –   | 48   |       | 90/10% V <sub>IO</sub>                  |

**XRES**
**Table 7. XRES DC Specifications**

| Spec ID#             | Parameter            | Description   | Min                    | Typ | Max                    | Units | Details/<br>Conditions                                      |
|----------------------|----------------------|---|------------------------|-----|------------------------|-------|---|
| SID77                | V <sub>IH</sub>      | Input voltage high threshold  | 0.7 × V <sub>DDD</sub> | –   | –                      | V     | CMOS Input  |
| SID78                | V <sub>IL</sub>      | Input voltage low threshold   | –                      | –   | 0.3 × V <sub>DDD</sub> |       |   |
| SID79                | R <sub>PULLUP</sub>  | Pull-up resistor  | –                      | 60  | –                      | kΩ    | –   |
| SID80                | C <sub>IN</sub>      | Input capacitance   | –                      | –   | 7                      | pF    | –   |
| SID81 <sup>[5]</sup> | V <sub>HYSXRES</sub> | Input voltage hysteresis  | –                      | 100 | –                      | mV    | Typical hysteresis is<br>200 mV for V <sub>DD</sub> > 4.5 V |
| SID82                | I <sub>DIODE</sub>   | Current through protection<br>diode to V <sub>DD</sub> /V <sub>SS</sub> | –                      | –   | 100                    | μA    | –   |

**Table 8. XRES AC Specifications**

| Spec ID#              | Parameter               | Description                        | Min | Typ | Max | Units | Details/<br>Conditions |
|-----------------------|-------------------------|------------------------------------|-----|-----|-----|-------|------------------------|
| SID83 <sup>[5]</sup>  | T <sub>RESETWIDTH</sub> | Reset pulse width                  | 1   | –   | –   | μs    | –                      |
| BID194 <sup>[5]</sup> | T <sub>RESETWAKE</sub>  | Wake-up time from reset<br>release | –   | –   | 2.7 | ms    | –                      |

**Note**

5. Guaranteed by characterization.



**Analog Peripherals**
**Table 9. Comparator DC Specifications**

| Spec ID# | Parameter            | Description                                       | Min | Typ | Max                    | Units | Details/<br>Conditions                |
|----------|----------------------|---|-----|-----|------------------------|-------|---------------------------------------|
| SID84    | V <sub>OFFSET1</sub> | Input offset voltage, Factory trim                | –   | –   | ±10                    | mV    | –                                     |
| SID85    | V <sub>OFFSET2</sub> | Input offset voltage, Custom trim                 | –   | –   | ±4                     |       | –                                     |
| SID86    | V <sub>HYST</sub>    | Hysteresis when enabled                           | –   | 10  | 35                     |       | –                                     |
| SID87    | V <sub>ICM1</sub>    | Input common mode voltage in normal mode          | 0   | –   | V <sub>DDD</sub> -0.1  | V     | Modes 1 and 2                         |
| SID247   | V <sub>ICM2</sub>    | Input common mode voltage in low power mode       | 0   | –   | V <sub>DDD</sub>       |       | –                                     |
| SID247A  | V <sub>ICM3</sub>    | Input common mode voltage in ultra low power mode | 0   | –   | V <sub>DDD</sub> -1.15 |       | V <sub>DDD</sub> ≥ 2.2 V at<br>–40 °C |
| SID88    | C <sub>MRR</sub>     | Common mode rejection ratio                       | 50  | –   | –                      | dB    | V <sub>DDD</sub> ≥ 2.7V               |
| SID88A   | C <sub>MRR</sub>     | Common mode rejection ratio                       | 42  | –   | –                      |       | V <sub>DDD</sub> ≤ 2.7V               |
| SID89    | I <sub>CMP1</sub>    | Block current, normal mode                        | –   | –   | 400                    | μA    | –                                     |
| SID248   | I <sub>CMP2</sub>    | Block current, low power mode                     | –   | –   | 100                    |       | –                                     |
| SID259   | I <sub>CMP3</sub>    | Block current in ultra low-power mode             | –   | 6   | 28                     |       | V <sub>DDD</sub> ≥ 2.2 V at<br>–40 °C |
| SID90    | Z <sub>CMP</sub>     | DC Input impedance of comparator                  | 35  | –   | –                      | MΩ    | –                                     |

**Table 10. Comparator AC Specifications**

| Spec ID# | Parameter | Description   | Min | Typ | Max | Units | Details/<br>Conditions                |
|----------|-----------|---|-----|-----|-----|-------|---------------------------------------|
| SID91    | TRESP1    | Response time, normal mode, 50 mV overdrive           | –   | 38  | 110 | ns    | –                                     |
| SID258   | TRESP2    | Response time, low power mode, 50 mV overdrive        | –   | 70  | 200 |       | –                                     |
| SID92    | TRESP3    | Response time, ultra-low power mode, 200 mV overdrive | –   | 2.3 | 15  | μs    | V <sub>DDD</sub> ≥ 2.2 V at<br>–40 °C |

**CSD**
**Table 11. CSD and IDAC Specifications**

| SPEC ID#    | Parameter      | Description  | Min  | Typ | Max             | Units | Details / Conditions   |
|-------------|----------------|--|------|-----|-----------------|-------|--|
| SYS.PER#3   | VDD_RIPPLE     | Max allowed ripple on power supply, DC to 10 MHz                   | –    | –   | ±50             | mV    | $V_{DD} > 2\text{ V}$ (with ripple), 25 °C $T_A$ , Sensitivity = 0.1 pF  |
| SYS.PER#16  | VDD_RIPPLE_1.8 | Max allowed ripple on power supply, DC to 10 MHz                   | –    | –   | ±25             | mV    | $V_{DD} > 1.75\text{ V}$ (with ripple), 25 °C $T_A$ , Parasitic Capacitance ( $C_p$ ) < 20 pF, Sensitivity ≥ 0.4 pF      |
| SID.CSD.BLK | ICSD           | Maximum block current  | –    | –   | 4000            | µA    | Maximum block current for both IDACs in dynamic (switching) mode including comparators, buffer, and reference generator. |
| SID.CSD#15  | $V_{REF}$      | Voltage reference for CSD and Comparator                           | 0.6  | 1.2 | $V_{DDA} - 0.6$ | V     | $V_{DDA} - 0.06$ or 4.4, whichever is lower  |
| SID.CSD#15A | VREF_EXT       | External Voltage reference for CSD and Comparator                  | 0.6  |     | $V_{DDA} - 0.6$ | V     | $V_{DDA} - 0.06$ or 4.4, whichever is lower  |
| SID.CSD#16  | IDAC1IDD       | IDAC1 (7-bits) block current                                       | –    | –   | 1750            | µA    |  |
| SID.CSD#17  | IDAC2IDD       | IDAC2 (7-bits) block current                                       | –    | –   | 1750            | µA    |  |
| SID308      | VCSD           | Voltage range of operation   | 1.71 | –   | 5.5             | V     | 1.8 V ±5% or 1.8 V to 5.5 V  |
| SID308A     | VCOMPIDAC      | Voltage compliance range of IDAC                                   | 0.6  | –   | $V_{DDA} - 0.6$ | V     | $V_{DDA} - 0.06$ or 4.4, whichever is lower  |
| SID309      | IDAC1DNL       | DNL  | –1   | –   | 1               | LSB   |  |
| SID310      | IDAC1INL       | INL  | –2   | –   | 2               | LSB   | INL is ±5.5 LSB for $V_{DDA} < 2\text{ V}$   |
| SID311      | IDAC2DNL       | DNL  | –1   | –   | 1               | LSB   |  |
| SID312      | IDAC2INL       | INL  | –2   | –   | 2               | LSB   | INL is ±5.5 LSB for $V_{DDA} < 2\text{ V}$   |
| SID313      | SNR            | Ratio of counts of finger to noise. Guaranteed by characterization | 5    | –   | –               | Ratio | Capacitance range of 5 to 35 pF, 0.1-pF sensitivity. All use cases. $V_{DDA} > 2\text{ V}$ .                             |
| SID314      | IDAC1CRT1      | Output current of IDAC1 (7 bits) in low range                      | 4.2  | –   | 5.4             | µA    | LSB = 37.5-nA typ.   |
| SID314A     | IDAC1CRT2      | Output current of IDAC1(7 bits) in medium range                    | 34   | –   | 41              | µA    | LSB = 300-nA typ.  |
| SID314B     | IDAC1CRT3      | Output current of IDAC1(7 bits) in high range                      | 275  | –   | 330             | µA    | LSB = 2.4-µA typ.  |
| SID314C     | IDAC1CRT12     | Output current of IDAC1 (7 bits) in low range, 2X mode             | 8    | –   | 10.5            | µA    | LSB = 75-nA typ.   |
| SID314D     | IDAC1CRT22     | Output current of IDAC1(7 bits) in medium range, 2X mode           | 69   | –   | 82              | µA    | LSB = 600-nA typ.  |
| SID314E     | IDAC1CRT32     | Output current of IDAC1(7 bits) in high range, 2X mode             | 540  | –   | 660             | µA    | LSB = 4.8-µA typ.  |
| SID315      | IDAC2CRT1      | Output current of IDAC2 (7 bits) in low range                      | 4.2  | –   | 5.4             | µA    | LSB = 37.5-nA typ.   |
| SID315A     | IDAC2CRT2      | Output current of IDAC2 (7 bits) in medium range                   | 34   | –   | 41              | µA    | LSB = 300-nA typ.  |
| SID315B     | IDAC2CRT3      | Output current of IDAC2 (7 bits) in high range                     | 275  | –   | 330             | µA    | LSB = 2.4-µA typ.  |
| SID315C     | IDAC2CRT12     | Output current of IDAC2 (7 bits) in low range, 2X mode             | 8    | –   | 10.5            | µA    | LSB = 75-nA typ.   |
| SID315D     | IDAC2CRT22     | Output current of IDAC2(7 bits) in medium range, 2X mode           | 69   | –   | 82              | µA    | LSB = 600-nA typ.  |

**Table 11. CSD and IDAC Specifications (continued)**

| SPEC ID# | Parameter     | Description  | Min | Typ | Max  | Units | Details / Conditions  |
|----------|---------------|--|-----|-----|------|-------|---|
| SID315E  | IDAC2CRT32    | Output current of IDAC2(7 bits) in high range, 2X mode | 540 | –   | 660  | μA    | LSB = 4.8-μA typ.   |
| SID315F  | IDAC3CRT13    | Output current of IDAC in 8-bit mode in low range      | 8   | –   | 10.5 | μA    | LSB = 37.5-nA typ.  |
| SID315G  | IDAC3CRT23    | Output current of IDAC in 8-bit mode in medium range   | 69  | –   | 82   | μA    | LSB = 300-nA typ.   |
| SID315H  | IDAC3CRT33    | Output current of IDAC in 8-bit mode in high range     | 540 | –   | 660  | μA    | LSB = 2.4-μA typ.   |
| SID320   | IDACOFFSET    | All zeroes input                                       | –   | –   | 1    | LSB   | Polarity set by Source or Sink. Offset is 2 LSBs for 37.5 nA/LSB mode |
| SID321   | IDACGAIN      | Full-scale error less offset                           | –   | –   | ±10  | %     |   |
| SID322   | IDACMISMATCH1 | Mismatch between IDAC1 and IDAC2 in Low mode           | –   | –   | 9.2  | LSB   | LSB = 37.5-nA typ.  |
| SID322A  | IDACMISMATCH2 | Mismatch between IDAC1 and IDAC2 in Medium mode        | –   | –   | 5.6  | LSB   | LSB = 300-nA typ.   |
| SID322B  | IDACMISMATCH3 | Mismatch between IDAC1 and IDAC2 in High mode          | –   | –   | 6.8  | LSB   | LSB = 2.4-μA typ.   |
| SID323   | IDACSET8      | Settling time to 0.5 LSB for 8-bit IDAC                | –   | –   | 10   | μs    | Full-scale transition. No external load.                              |
| SID324   | IDACSET7      | Settling time to 0.5 LSB for 7-bit IDAC                | –   | –   | 10   | μs    | Full-scale transition. No external load.                              |
| SID325   | CMOD          | External modulator capacitor.                          | –   | 2.2 | –    | nF    | 5-V rating, X7R or NP0 cap.   |

**Table 12. 10-bit CapSense ADC Specifications**

| Spec ID# | Parameter | Description   | Min       | Typ | Max       | Units      | Details/Conditions  |
|----------|-----------|---|-----------|-----|-----------|------------|---|
| SIDA94   | A_RES     | Resolution  | –         | –   | 10        | bits       | Auto-zeroing is required every millisecond  |
| SIDA95   | A_CHNLS_S | Number of channels - single ended   | –         | –   | 16        |            | Defined by AMUX Bus.  |
| SIDA97   | A-MONO    | Monotonicity  | –         | –   | –         | Yes        |   |
| SIDA98   | A_GAINERR | Gain error  | –         | –   | ±2        | %          | In $V_{REF}$ (2.4 V) mode with $V_{DDA}$ bypass capacitance of 10 $\mu$ F               |
| SIDA99   | A_OFFSET  | Input offset voltage  | –         | –   | 3         | mV         | In $V_{REF}$ (2.4 V) mode with $V_{DDA}$ bypass capacitance of 10 $\mu$ F               |
| SIDA100  | A_ISAR    | Current consumption   | –         | –   | 0.25      | mA         |   |
| SIDA101  | A_VINS    | Input voltage range - single ended  | $V_{SSA}$ | –   | $V_{DDA}$ | V          |   |
| SIDA103  | A_INRES   | Input resistance  | –         | 2.2 | –         | K $\Omega$ |   |
| SIDA104  | A_INCAP   | Input capacitance   | –         | 20  | –         | pF         |   |
| SIDA106  | A_PSR     | Power supply rejection ratio  | –         | 60  | –         | dB         | In $V_{REF}$ (2.4 V) mode with $V_{DDA}$ bypass capacitance of 10 $\mu$ F               |
| SIDA107  | A_TACQ    | Sample acquisition time   | –         | 1   | –         | $\mu$ s    |   |
| SIDA108  | A_CONV8   | Conversion time for 8-bit resolution at conversion rate = $F_{HCLK}/(2^{(N+2)})$ . Clock frequency = 48 MHz.  | –         | –   | 21.3      | $\mu$ s    | Does not include acquisition time. Equivalent to 44.8 ksp/s including acquisition time. |
| SIDA108A | A_CONV10  | Conversion time for 10-bit resolution at conversion rate = $F_{HCLK}/(2^{(N+2)})$ . Clock frequency = 48 MHz. | –         | –   | 85.3      | $\mu$ s    | Does not include acquisition time. Equivalent to 11.6 ksp/s including acquisition time. |
| SIDA109  | A_SND     | Signal-to-noise and Distortion ratio (SINAD)  | –         | 61  | –         | dB         | With 10-Hz input sine wave, external 2.4-V reference, $V_{REF}$ (2.4 V) mode            |
| SIDA110  | A_BW      | Input bandwidth without aliasing  | –         | –   | 22.4      | kHz        | 8-bit resolution  |
| SIDA111  | A_INL     | Integral Non Linearity. 1 ksp/s   | –         | –   | 2         | LSB        | $V_{REF} = 2.4$ V or greater  |
| SIDA112  | A_DNL     | Differential Non Linearity. 1 ksp/s   | –         | –   | 1         | LSB        |   |

**Digital Peripherals**
*Timer Counter Pulse-Width Modulator (TCPWM)*
**Table 13. TCPWM Specifications**

| Spec ID      | Parameter             | Description                         | Min              | Typ | Max            | Units | Details/Conditions   |
|--------------|-----------------------|-------------------------------------|------------------|-----|----------------|-------|--|
| SID.TCPWM.1  | ITCPWM1               | Block current consumption at 3 MHz  | –                | –   | 45             | μA    | All modes (TCPWM)  |
| SID.TCPWM.2  | ITCPWM2               | Block current consumption at 12 MHz | –                | –   | 155            |       | All modes (TCPWM)  |
| SID.TCPWM.2A | ITCPWM3               | Block current consumption at 48 MHz | –                | –   | 650            |       | All modes (TCPWM)  |
| SID.TCPWM.3  | TCPWM <sub>FREQ</sub> | Operating frequency                 | –                | –   | F <sub>c</sub> | MHz   | F <sub>c</sub> max = CLK_SYS<br>Maximum = 48 MHz   |
| SID.TCPWM.4  | TPWM <sub>ENEXT</sub> | Input trigger pulse width           | 2/F <sub>c</sub> | –   | –              | ns    | For all trigger events <sup>[6]</sup>  |
| SID.TCPWM.5  | TPWM <sub>EXT</sub>   | Output trigger pulse widths         | 2/F <sub>c</sub> | –   | –              |       | Minimum possible width of Overflow, Underflow, and CC (Counter equals Compare value) outputs |
| SID.TCPWM.5A | TC <sub>RES</sub>     | Resolution of counter               | 1/F <sub>c</sub> | –   | –              |       | Minimum time between successive counts   |
| SID.TCPWM.5B | PWM <sub>RES</sub>    | PWM resolution                      | 1/F <sub>c</sub> | –   | –              |       | Minimum pulse width of PWM Output  |
| SID.TCPWM.5C | Q <sub>RES</sub>      | Quadrature inputs resolution        | 1/F <sub>c</sub> | –   | –              |       | Minimum pulse width between Quadrature phase inputs  |

**Note**

6. Trigger events can be Stop, Start, Reload, Count, Capture, or Kill depending on which mode of operation is selected.

*I<sup>2</sup>C*
**Table 14. Fixed I<sup>2</sup>C DC Specifications<sup>[7]</sup>**

| Spec ID | Parameter         | Description                                 | Min | Typ | Max | Units | Details/Conditions |
|---------|-------------------|---|-----|-----|-----|-------|--------------------|
| SID149  | I <sub>I2C1</sub> | Block current consumption at 100 kHz        | –   | –   | 50  | μA    | –                  |
| SID150  | I <sub>I2C2</sub> | Block current consumption at 400 kHz        | –   | –   | 135 |       | –                  |
| SID151  | I <sub>I2C3</sub> | Block current consumption at 1 Mbps         | –   | –   | 310 |       | –                  |
| SID152  | I <sub>I2C4</sub> | I <sup>2</sup> C enabled in Deep Sleep mode | –   | –   | 1.4 |       |                    |

**Table 15. Fixed I<sup>2</sup>C AC Specifications<sup>[7]</sup>**

| Spec ID | Parameter         | Description | Min | Typ | Max | Units | Details/Conditions |
|---------|-------------------|-------------|-----|-----|-----|-------|--------------------|
| SID153  | F <sub>I2C1</sub> | Bit rate    | –   | –   | 1   | Msp/s | –                  |

**Table 16. SPI DC Specifications<sup>[7]</sup>**

| Spec ID | Parameter | Description                         | Min | Typ | Max | Units | Details/Conditions |
|---------|-----------|-------------------------------------|-----|-----|-----|-------|--------------------|
| SID163  | ISPI1     | Block current consumption at 1 Mbps | –   | –   | 360 | μA    | –                  |
| SID164  | ISPI2     | Block current consumption at 4 Mbps | –   | –   | 560 |       | –                  |
| SID165  | ISPI3     | Block current consumption at 8 Mbps | –   | –   | 600 |       | –                  |

**Table 17. SPI AC Specifications<sup>[7]</sup>**

| Spec ID  | Parameter | Description   | Min | Typ | Max                     | Units | Details/Conditions                    |
|--|-----------|---|-----|-----|-------------------------|-------|---------------------------------------|
| SID166   | FSPI      | SPI operating frequency (Master; 6X Oversampling)   | –   | –   | 8                       | MHz   |                                       |
| <b>Fixed SPI Master Mode AC Specifications</b> |           |   |     |     |                         |       |                                       |
| SID167   | TDMO      | MOSI Valid after SClk driving edge                  | –   | –   | 15                      | ns    | –                                     |
| SID168   | TDSI      | MISO Valid before SClk capturing edge               | 20  | –   | –                       |       | Full clock, late MISO sampling        |
| SID169   | THMO      | Previous MOSI data hold time                        | 0   | –   | –                       |       | Referred to Slave capturing edge      |
| <b>Fixed SPI Slave Mode AC Specifications</b>  |           |   |     |     |                         |       |                                       |
| SID170   | TDMI      | MOSI Valid before SClk Capturing edge               | 40  | –   | –                       | ns    | –                                     |
| SID171   | TDSO      | MISO Valid after SClk driving edge                  | –   | –   | 42 + 3*T <sub>cpu</sub> |       | T <sub>CPU</sub> = 1/F <sub>CPU</sub> |
| SID171A  | TDSO_EXT  | MISO Valid after SClk driving edge in Ext. Clk mode | –   | –   | 48                      |       | –                                     |
| SID172   | THSO      | Previous MISO data hold time                        | 0   | –   | –                       |       | –                                     |
| SID172A  | TSSELSSCK | SSEL Valid to first SCK Valid edge                  | –   | –   | 100                     | ns    | –                                     |

**Note**

7. Guaranteed by characterization.

**Table 18. UART DC Specifications<sup>[8]</sup>**

| Spec ID | Parameter          | Description                            | Min | Typ | Max | Units | Details/Conditions |
|---------|--------------------|--|-----|-----|-----|-------|--------------------|
| SID160  | I <sub>UART1</sub> | Block current consumption at 100 Kbps  | –   | –   | 55  | μA    | –                  |
| SID161  | I <sub>UART2</sub> | Block current consumption at 1000 Kbps | –   | –   | 312 | μA    | –                  |

**Table 19. UART AC Specifications<sup>[8]</sup>**

| Spec ID | Parameter         | Description | Min | Typ | Max | Units | Details/Conditions |
|---------|-------------------|-------------|-----|-----|-----|-------|--------------------|
| SID162  | F <sub>UART</sub> | Bit rate    | –   | –   | 1   | Mbps  | –                  |

**Table 20. LCD Direct Drive DC Specifications<sup>[8]</sup>**

| Spec ID | Parameter             | Description  | Min | Typ | Max  | Units | Details/Conditions                  |
|---------|-----------------------|--|-----|-----|------|-------|-------------------------------------|
| SID154  | I <sub>LCDLOW</sub>   | Operating current in low power mode                    | –   | 5   | –    | μA    | 16 × 4 small segment disp. at 50 Hz |
| SID155  | C <sub>LCDCAP</sub>   | LCD capacitance per segment/common driver              | –   | 500 | 5000 | pF    | –                                   |
| SID156  | LCD <sub>OFFSET</sub> | Long-term segment offset                               | –   | 20  | –    | mV    | –                                   |
| SID157  | I <sub>LCDOP1</sub>   | LCD system operating current V <sub>bias</sub> = 5 V   | –   | 2   | –    | mA    | 32 × 4 segments. 50 Hz. 25 °C       |
| SID158  | I <sub>LCDOP2</sub>   | LCD system operating current V <sub>bias</sub> = 3.3 V | –   | 2   | –    |       | 32 × 4 segments. 50 Hz. 25 °C       |

**Table 21. LCD Direct Drive AC Specifications<sup>[8]</sup>**

| Spec ID | Parameter        | Description    | Min | Typ | Max | Units | Details/Conditions |
|---------|------------------|----------------|-----|-----|-----|-------|--------------------|
| SID159  | F <sub>LCD</sub> | LCD frame rate | 10  | 50  | 150 | Hz    | –                  |

**Note**

8. Guaranteed by characterization.



**Memory**
**Table 22. Flash DC Specifications**

| Spec ID | Parameter       | Description               | Min  | Typ | Max | Units | Details/Conditions |
|---------|-----------------|---------------------------|------|-----|-----|-------|--------------------|
| SID173  | V <sub>PE</sub> | Erase and program voltage | 1.71 | –   | 5.5 | V     | –                  |

**Table 23. Flash AC Specifications**

| Spec ID                 | Parameter                              | Description   | Min   | Typ | Max | Units   | Details/Conditions       |
|-------------------------|--|---|-------|-----|-----|---------|--------------------------|
| SID174                  | T <sub>ROWWRITE</sub> <sup>[9]</sup>   | Row (block) write time (erase and program)                | –     | –   | 20  | ms      | Row (block) = 128 bytes  |
| SID175                  | T <sub>ROWERASE</sub> <sup>[9]</sup>   | Row erase time  | –     | –   | 16  |         | –                        |
| SID176                  | T <sub>ROWPROGRAM</sub> <sup>[9]</sup> | Row program time after erase                              | –     | –   | 4   |         | –                        |
| SID178                  | T <sub>BULKERASE</sub> <sup>[9]</sup>  | Bulk erase time (32 KB)                                   | –     | –   | 35  |         | –                        |
| SID180 <sup>[10]</sup>  | T <sub>DEVPROG</sub> <sup>[9]</sup>    | Total device program time                                 | –     | –   | 7   | Seconds | –                        |
| SID181 <sup>[10]</sup>  | F <sub>END</sub>                       | Flash endurance   | 100 K | –   | –   | Cycles  | –                        |
| SID182 <sup>[10]</sup>  | F <sub>RET</sub>                       | Flash retention. T <sub>A</sub> ≤ 55 °C, 100 K P/E cycles | 20    | –   | –   | Years   | –                        |
| SID182A <sup>[10]</sup> | –                                      | Flash retention. T <sub>A</sub> ≤ 85 °C, 10 K P/E cycles  | 10    | –   | –   |         | –                        |
| SID256                  | TWS48                                  | Number of Wait states at 48 MHz                           | 2     | –   | –   |         | CPU execution from Flash |
| SID257                  | TWS24                                  | Number of Wait states at 24 MHz                           | 1     | –   | –   |         | CPU execution from Flash |

**System Resources**
*Power-on Reset (POR)*
**Table 24. Power On Reset (PRES)**

| Spec ID                | Parameter             | Description            | Min  | Typ | Max | Units | Details/Conditions |
|------------------------|-----------------------|------------------------|------|-----|-----|-------|--------------------|
| SID.CLK#6              | SR_POWER_UP           | Power supply slew rate | 1    | –   | 67  | V/ms  | At power-up        |
| SID185 <sup>[10]</sup> | V <sub>RISEIPOR</sub> | Rising trip voltage    | 0.80 | –   | 1.5 | V     | –                  |
| SID186 <sup>[10]</sup> | V <sub>FALLIPOR</sub> | Falling trip voltage   | 0.70 | –   | 1.4 |       | –                  |

**Table 25. Brown-out Detect (BOD) for V<sub>CCD</sub>**

| Spec ID                | Parameter              | Description                                | Min  | Typ | Max  | Units | Details/Conditions |
|------------------------|------------------------|--|------|-----|------|-------|--------------------|
| SID190 <sup>[10]</sup> | V <sub>FALLPPOR</sub>  | BOD trip voltage in active and sleep modes | 1.48 | –   | 1.62 | V     | –                  |
| SID192 <sup>[10]</sup> | V <sub>FALLDPSLP</sub> | BOD trip voltage in Deep Sleep             | 1.11 | –   | 1.5  |       | –                  |

**Notes**

9. It can take as much as 20 milliseconds to write to Flash. During this time the device should not be Reset, or Flash operations will be interrupted and cannot be relied on to have completed. Reset sources include the XRES pin, software resets, CPU lockup states and privilege violations, improper power supply levels, and watchdogs. Make certain that these are not inadvertently activated.

10. Guaranteed by characterization.

*SWD Interface*
**Table 26. SWD Interface Specifications**

| Spec ID                 | Parameter    | Description                                   | Min            | Typ | Max           | Units | Details/Conditions                    |
|-------------------------|--------------|---|----------------|-----|---------------|-------|---------------------------------------|
| SID213                  | F_SWDCLK1    | $3.3\text{ V} \leq V_{DD} \leq 5.5\text{ V}$  | –              | –   | 14            | MHz   | SWDCLK $\leq$ 1/3 CPU clock frequency |
| SID214                  | F_SWDCLK2    | $1.71\text{ V} \leq V_{DD} \leq 3.3\text{ V}$ | –              | –   | 7             |       | SWDCLK $\leq$ 1/3 CPU clock frequency |
| SID215 <sup>[11]</sup>  | T_SWDI_SETUP | $T = 1/f\text{ SWDCLK}$                       | $0.25 \cdot T$ | –   | –             | ns    | –                                     |
| SID216 <sup>[11]</sup>  | T_SWDI_HOLD  | $T = 1/f\text{ SWDCLK}$                       | $0.25 \cdot T$ | –   | –             |       | –                                     |
| SID217 <sup>[11]</sup>  | T_SWDO_VALID | $T = 1/f\text{ SWDCLK}$                       | –              | –   | $0.5 \cdot T$ |       | –                                     |
| SID217A <sup>[11]</sup> | T_SWDO_HOLD  | $T = 1/f\text{ SWDCLK}$                       | 1              | –   | –             |       | –                                     |

*Internal Main Oscillator*
**Table 27. IMO DC Specifications**

(Guaranteed by Design)

| Spec ID | Parameter         | Description                     | Min | Typ | Max | Units | Details/Conditions |
|---------|-------------------|---------------------------------|-----|-----|-----|-------|--------------------|
| SID218  | I <sub>IMO1</sub> | IMO operating current at 48 MHz | –   | –   | 250 | μA    | –                  |
| SID219  | I <sub>IMO2</sub> | IMO operating current at 24 MHz | –   | –   | 180 | μA    | –                  |

**Table 28. IMO AC Specifications**

| Spec ID | Parameter               | Description   | Min | Typ | Max | Units | Details/Conditions |
|---------|-------------------------|---|-----|-----|-----|-------|--------------------|
| SID223  | F <sub>IMOTOL1</sub>    | Frequency variation at 24, 32, and 48 MHz (trimmed) | –   | –   | ±2  | %     |                    |
| SID226  | T <sub>STARTIMO</sub>   | IMO startup time                                    | –   | –   | 7   | μs    | –                  |
| SID228  | T <sub>JITRMSIMO2</sub> | RMS jitter at 24 MHz                                | –   | 145 | –   | ps    | –                  |

*Internal Low-Speed Oscillator*
**Table 29. ILO DC Specifications**

(Guaranteed by Design)

| Spec ID                | Parameter         | Description           | Min | Typ | Max  | Units | Details/Conditions |
|------------------------|-------------------|-----------------------|-----|-----|------|-------|--------------------|
| SID231 <sup>[11]</sup> | I <sub>ILO1</sub> | ILO operating current | –   | 0.3 | 1.05 | μA    | –                  |

**Table 30. ILO AC Specifications**

| Spec ID                | Parameter              | Description         | Min | Typ | Max | Units | Details/Conditions |
|------------------------|------------------------|---------------------|-----|-----|-----|-------|--------------------|
| SID234 <sup>[11]</sup> | T <sub>STARTILO1</sub> | ILO startup time    | –   | –   | 2   | ms    | –                  |
| SID236 <sup>[11]</sup> | T <sub>ILODUTY</sub>   | ILO duty cycle      | 40  | 50  | 60  | %     | –                  |
| SID237                 | F <sub>ILOTRIM1</sub>  | ILO frequency range | 20  | 40  | 80  | kHz   | –                  |

**Note**

11. Guaranteed by characterization.

**Table 31. Watch Crystal Oscillator (WCO) Specifications**

| Spec ID# | Parameter | Description                         | Min | Typ    | Max  | Units | Details/Conditions  |
|----------|-----------|-------------------------------------|-----|--------|------|-------|---------------------|
| SID398   | FWCO      | Crystal Frequency                   | –   | 32.768 | –    | kHz   |                     |
| SID399   | FTOL      | Frequency tolerance                 | –   | 50     | 250  | ppm   | With 20-ppm crystal |
| SID400   | ESR       | Equivalent series resistance        | –   | 50     | –    | kΩ    |                     |
| SID401   | PD        | Drive Level                         | –   | –      | 1    | μW    |                     |
| SID402   | TSTART    | Startup time                        | –   | –      | 500  | ms    |                     |
| SID403   | CL        | Crystal Load Capacitance            | 6   | –      | 12.5 | pF    |                     |
| SID404   | C0        | Crystal Shunt Capacitance           | –   | 1.35   | –    | pF    |                     |
| SID405   | IWCO1     | Operating Current (high power mode) | –   | –      | 8    | uA    |                     |
| SID406   | IWCO2     | Operating Current (low power mode)  | –   | –      | 1    | uA    |                     |

**Table 32. External Clock Specifications**

| Spec ID                | Parameter  | Description                        | Min | Typ | Max | Units | Details/Conditions |
|------------------------|------------|------------------------------------|-----|-----|-----|-------|--------------------|
| SID305 <sup>[12]</sup> | ExtClkFreq | External clock input frequency     | 0   | –   | 48  | MHz   | –                  |
| SID306 <sup>[12]</sup> | ExtClkDuty | Duty cycle; measured at $V_{DD}/2$ | 45  | –   | 55  | %     | –                  |

**Table 33. Block Specs**

| Spec ID                | Parameter              | Description                        | Min | Typ | Max | Units   | Details/Conditions |
|------------------------|------------------------|------------------------------------|-----|-----|-----|---------|--------------------|
| SID262 <sup>[12]</sup> | T <sub>CLKSWITCH</sub> | System clock source switching time | 3   | –   | 4   | Periods | –                  |

**Table 34. Smart I/O Pass-through Time (Delay in Bypass Mode)**

| Spec ID# | Parameter  | Description                                 | Min | Typ | Max | Units | Details/Conditions |
|----------|------------|---|-----|-----|-----|-------|--------------------|
| SID252   | PRG_BYPASS | Max delay added by Smart I/O in bypass mode | –   | –   | 1.6 | ns    |                    |

**Note**

12. Guaranteed by characterization.

## Ordering Information

The PSoC 4000S part numbers and features are listed in the following table.

**Table 35. PSoC 4000S Ordering Information**

| Category         | MPN              | Features            |            |           |              |          |                |                |                |              |            |            | Package |                       |            |            |             |            |             |
|------------------|------------------|---------------------|------------|-----------|--------------|----------|----------------|----------------|----------------|--------------|------------|------------|---------|-----------------------|------------|------------|-------------|------------|-------------|
|                  |                  | Max CPU Speed (MHz) | Flash (KB) | SRAM (KB) | Opamp (CTBm) | CapSense | 10-bit CSD ADC | 12-bit SAR ADC | LP Comparators | TCPWM Blocks | SCB Blocks | Smart I/Os | GPIO    | WLCSP (0.35-mm pitch) | 24-Pin QFN | 32-Pin QFN | 32-pin TQFP | 40-Pin QFN | 48-Pin TQFP |
| 4024             | CY8C4024FNI-S402 | 24                  | 16         | 2         | 0            | 0        | 1              | 0              | 2              | 5            | 2          | 8          | 21      | ✓                     |            |            |             |            |             |
|                  | CY8C4024LQI-S401 | 24                  | 16         | 2         | 0            | 0        | 1              | 0              | 2              | 5            | 2          | 8          | 19      |                       | ✓          |            |             |            |             |
|                  | CY8C4024LQI-S402 | 24                  | 16         | 2         | 0            | 0        | 1              | 0              | 2              | 5            | 2          | 16         | 27      |                       |            | ✓          |             |            |             |
|                  | CY8C4024AXI-S402 | 24                  | 16         | 2         | 0            | 0        | 1              | 0              | 2              | 5            | 2          | 16         | 27      |                       |            |            | ✓           |            |             |
|                  | CY8C4024LQI-S403 | 24                  | 16         | 2         | 0            | 0        | 1              | 0              | 2              | 5            | 2          | 16         | 34      |                       |            |            |             | ✓          |             |
|                  | CY8C4024AZI-S403 | 24                  | 16         | 2         | 0            | 0        | 1              | 0              | 2              | 5            | 2          | 16         | 36      |                       |            |            |             |            | ✓           |
|                  | CY8C4024FNI-S412 | 24                  | 16         | 2         | 0            | 1        | 1              | 0              | 2              | 5            | 2          | 8          | 21      | ✓                     |            |            |             |            |             |
|                  | CY8C4024LQI-S411 | 24                  | 16         | 2         | 0            | 1        | 1              | 0              | 2              | 5            | 2          | 8          | 19      |                       | ✓          |            |             |            |             |
|                  | CY8C4024LQI-S412 | 24                  | 16         | 2         | 0            | 1        | 1              | 0              | 2              | 5            | 2          | 16         | 27      |                       |            | ✓          |             |            |             |
|                  | CY8C4024AXI-S412 | 24                  | 16         | 2         | 0            | 1        | 1              | 0              | 2              | 5            | 2          | 16         | 27      |                       |            |            | ✓           |            |             |
|                  | CY8C4024LQI-S413 | 24                  | 16         | 2         | 0            | 1        | 1              | 0              | 2              | 5            | 2          | 16         | 34      |                       |            |            |             | ✓          |             |
| CY8C4024AZI-S413 | 24               | 16                  | 2          | 0         | 1            | 1        | 0              | 2              | 5              | 2            | 16         | 36         |         |                       |            |            |             | ✓          |             |
| 4025             | CY8C4025FNI-S402 | 24                  | 32         | 4         | 0            | 0        | 1              | 0              | 2              | 5            | 2          | 8          | 21      | ✓                     |            |            |             |            |             |
|                  | CY8C4025LQI-S401 | 24                  | 32         | 4         | 0            | 0        | 1              | 0              | 2              | 5            | 2          | 8          | 19      |                       | ✓          |            |             |            |             |
|                  | CY8C4025LQI-S402 | 24                  | 32         | 4         | 0            | 0        | 1              | 0              | 2              | 5            | 2          | 16         | 27      |                       |            | ✓          |             |            |             |
|                  | CY8C4025AXI-S402 | 24                  | 32         | 4         | 0            | 0        | 1              | 0              | 2              | 5            | 2          | 16         | 27      |                       |            |            | ✓           |            |             |
|                  | CY8C4025AZI-S403 | 24                  | 32         | 4         | 0            | 0        | 1              | 0              | 2              | 5            | 2          | 16         | 36      |                       |            |            |             |            | ✓           |
|                  | CY8C4025FNI-S412 | 24                  | 32         | 4         | 0            | 1        | 1              | 0              | 2              | 5            | 2          | 8          | 21      | ✓                     |            |            |             |            |             |
|                  | CY8C4025LQI-S411 | 24                  | 32         | 4         | 0            | 1        | 1              | 0              | 2              | 5            | 2          | 8          | 19      |                       | ✓          |            |             |            |             |
|                  | CY8C4025LQI-S412 | 24                  | 32         | 4         | 0            | 1        | 1              | 0              | 2              | 5            | 2          | 16         | 27      |                       |            | ✓          |             |            |             |
|                  | CY8C4025AXI-S412 | 24                  | 32         | 4         | 0            | 1        | 1              | 0              | 2              | 5            | 2          | 16         | 27      |                       |            |            | ✓           |            |             |
| CY8C4025AZI-S413 | 24               | 32                  | 4          | 0         | 1            | 1        | 0              | 2              | 5              | 2            | 16         | 36         |         |                       |            |            |             | ✓          |             |
| 4045             | CY8C4045FNI-S412 | 48                  | 32         | 4         | 0            | 1        | 1              | 0              | 2              | 5            | 2          | 8          | 21      | ✓                     |            |            |             |            |             |
|                  | CY8C4045LQI-S411 | 48                  | 32         | 4         | 0            | 1        | 1              | 0              | 2              | 5            | 2          | 8          | 19      |                       | ✓          |            |             |            |             |
|                  | CY8C4045LQI-S412 | 48                  | 32         | 4         | 0            | 1        | 1              | 0              | 2              | 5            | 2          | 16         | 27      |                       |            | ✓          |             |            |             |
|                  | CY8C4045AXI-S412 | 48                  | 32         | 4         | 0            | 1        | 1              | 0              | 2              | 5            | 2          | 16         | 27      |                       |            |            | ✓           |            |             |
|                  | CY8C4045AZI-S413 | 48                  | 32         | 4         | 0            | 1        | 1              | 0              | 2              | 5            | 2          | 16         | 36      |                       |            |            |             |            | ✓           |

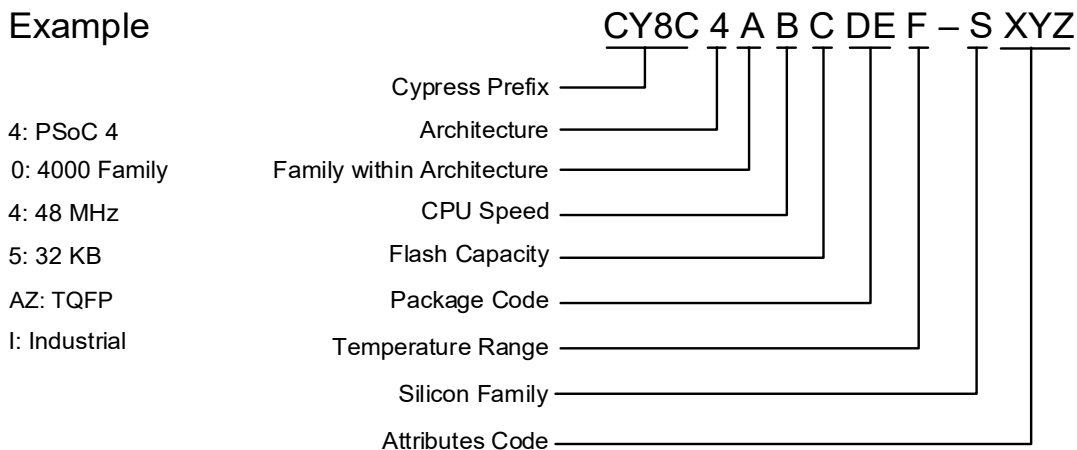
The nomenclature used in the preceding table is based on the following part numbering convention:

**Table 36. Nomenclature**

| Field | Description       | Values  | Meaning                                    |
|-------|-------------------|---------|--|
| CY8C  | Cypress Prefix    |         |  |
| 4     | Architecture      | 4       | PSoC 4                                     |
| A     | Family            | 0       | 4000 Family                                |
| B     | CPU Speed         | 2       | 24 MHz                                     |
|       |                   | 4       | 48 MHz                                     |
| C     | Flash Capacity    | 4       | 16 KB                                      |
|       |                   | 5       | 32 KB                                      |
|       |                   | 6       | 64 KB                                      |
|       |                   | 7       | 128 KB                                     |
| DE    | Package Code      | AX      | TQFP (0.8-mm pitch)                        |
|       |                   | AZ      | TQFP (0.5-mm pitch)                        |
|       |                   | LQ      | QFN  |
|       |                   | PV      | SSOP                                       |
|       |                   | FN      | CSP  |
| F     | Temperature Range | I       | Industrial                                 |
| S     | Series Designator | S       | PSoC 4 S-Series                            |
|       |                   | M       | PSoC 4 M-Series                            |
|       |                   | L       | PSoC 4 L-Series                            |
|       |                   | BL      | PSoC 4 BLE-Series                          |
| XYZ   | Attributes Code   | 000-999 | Code of feature set in the specific family |

The following is an example of a part number:

**Example**



## Packaging

The PSoC 4000S will be offered in 48-pin TQFP, 40-pin QFN, 32-pin QFN, 24-pin QFN, 32-pin TQFP, and 25-ball WLCSP packages. Package dimensions and Cypress drawing numbers are in the following table.

**Table 37. Package List**

| Spec ID# | Package       | Description                                     | Package Dwg |
|----------|---------------|---|-------------|
| BID20    | 48-pin TQFP   | 7 × 7 × 1.4 mm height with 0.5-mm pitch         | 51-85135    |
| BID27    | 40-pin QFN    | 6 × 6 × 0.6 mm height with 0.5-mm pitch         | 001-80659   |
| BID34A   | 32-pin QFN    | 5 × 5 × 0.6 mm height with 0.5-mm pitch         | 001-42168   |
| BID34    | 24-pin QFN    | 4 × 4 × 0.6 mm height with 0.5-mm pitch         | 001-13937   |
| BID34G   | 32-pin TQFP   | 7 × 7 × 1.4 mm height with 0.8-mm pitch         | 51-85088    |
| BID34F   | 25-ball WLCSP | 2.02 × 1.93 × 0.48 mm height with 0.35-mm pitch | 002-09957   |

**Table 38. Package Thermal Characteristics**

| Parameter       | Description                    | Package       | Min | Typ  | Max | Units |
|-----------------|--------------------------------|---------------|-----|------|-----|-------|
| T <sub>A</sub>  | Operating ambient temperature  |               | -40 | 25   | 85  | °C    |
| T <sub>J</sub>  | Operating junction temperature |               | -40 | -    | 100 | °C    |
| T <sub>JA</sub> | Package θ <sub>JA</sub>        | 48-pin TQFP   | -   | 73.5 | -   | °C/W  |
| T <sub>JC</sub> | Package θ <sub>JC</sub>        | 48-pin TQFP   | -   | 33.5 | -   | °C/W  |
| T <sub>JA</sub> | Package θ <sub>JA</sub>        | 40-pin QFN    | -   | 17.8 | -   | °C/W  |
| T <sub>JC</sub> | Package θ <sub>JC</sub>        | 40-pin QFN    | -   | 2.8  | -   | °C/W  |
| T <sub>JA</sub> | Package θ <sub>JA</sub>        | 32-pin QFN    | -   | 20.8 | -   | °C/W  |
| T <sub>JC</sub> | Package θ <sub>JC</sub>        | 32-pin QFN    | -   | 5.9  | -   | °C/W  |
| T <sub>JA</sub> | Package θ <sub>JA</sub>        | 24-pin QFN    | -   | 21.7 | -   | °C/W  |
| T <sub>JC</sub> | Package θ <sub>JC</sub>        | 24-pin QFN    | -   | 5.6  | -   | °C/W  |
| T <sub>JA</sub> | Package θ <sub>JA</sub>        | 32-pin TQFP   | -   | 29.4 | -   | °C/W  |
| T <sub>JC</sub> | Package θ <sub>JC</sub>        | 32-pin TQFP   | -   | 3.5  | -   | °C/W  |
| T <sub>JA</sub> | Package θ <sub>JA</sub>        | 25-ball WLCSP | -   | 54.6 | -   | °C/W  |
| T <sub>JC</sub> | Package θ <sub>JC</sub>        | 25-ball WLCSP | -   | 0.5  | -   | °C/W  |

**Table 39. Solder Reflow Peak Temperature**

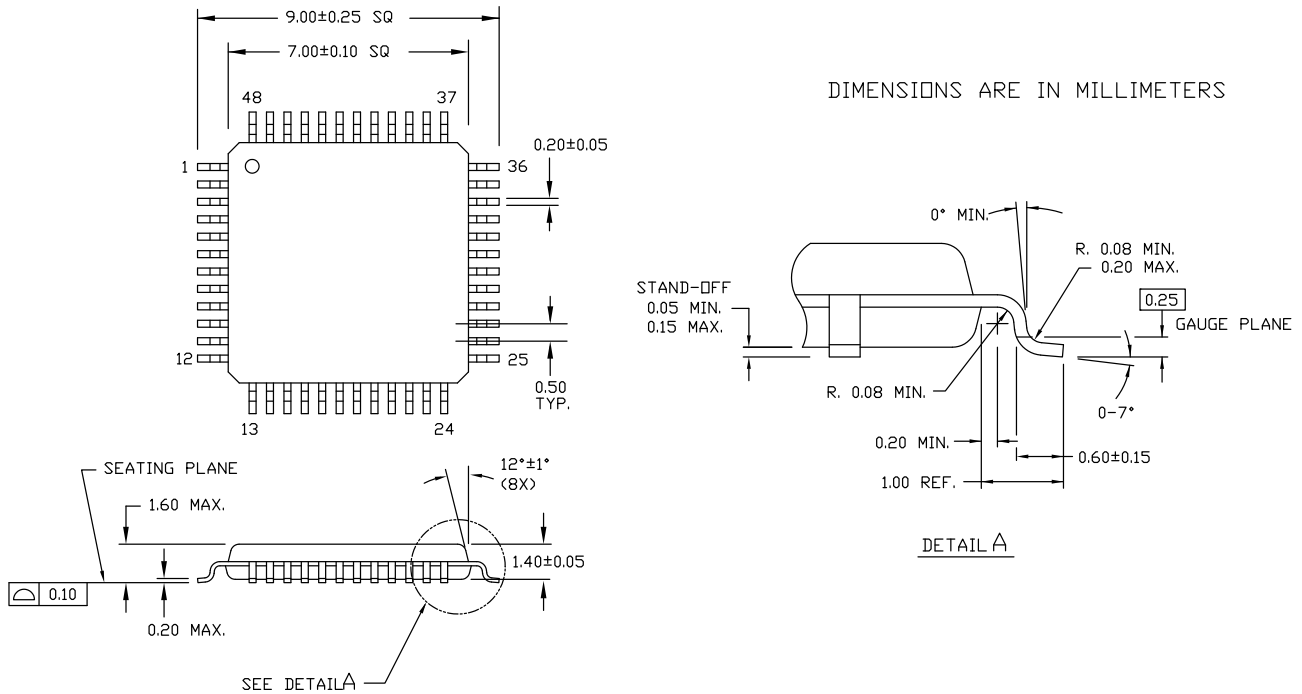
| Package | Maximum Peak Temperature | Maximum Time at Peak Temperature |
|---------|--------------------------|----------------------------------|
| All     | 260 °C                   | 30 seconds                       |

**Table 40. Package Moisture Sensitivity Level (MSL), IPC/JEDEC J-STD-020**

| Package          | MSL   |
|------------------|-------|
| All except WLCSP | MSL 3 |
| 25-ball WLCSP    | MSL 1 |

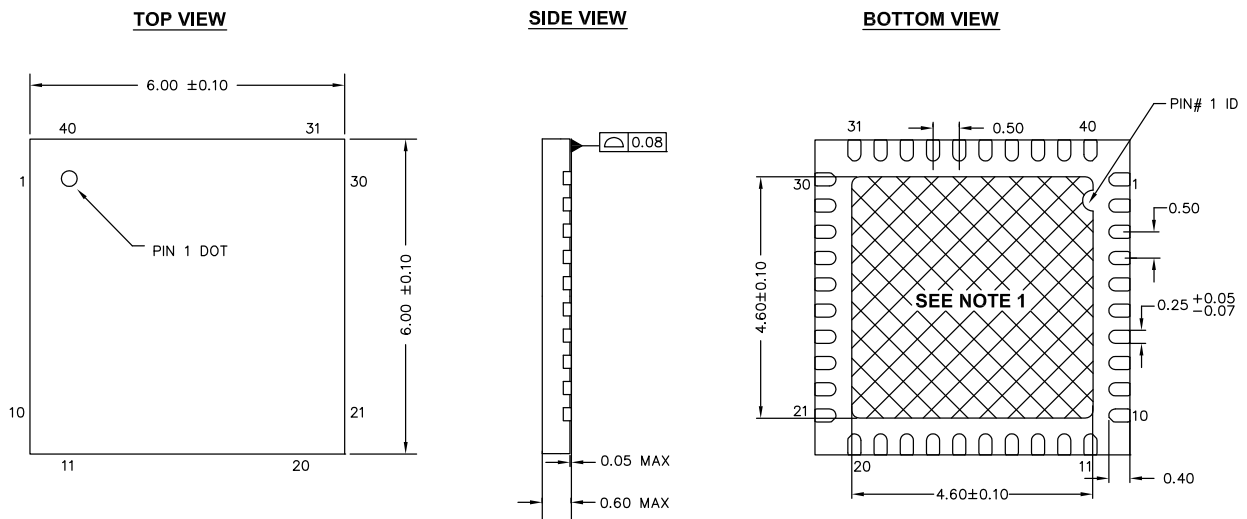
Package Diagrams

Figure 5. 48-pin TQFP Package Outline



51-85135 \*C

Figure 6. 40-pin QFN Package Outline



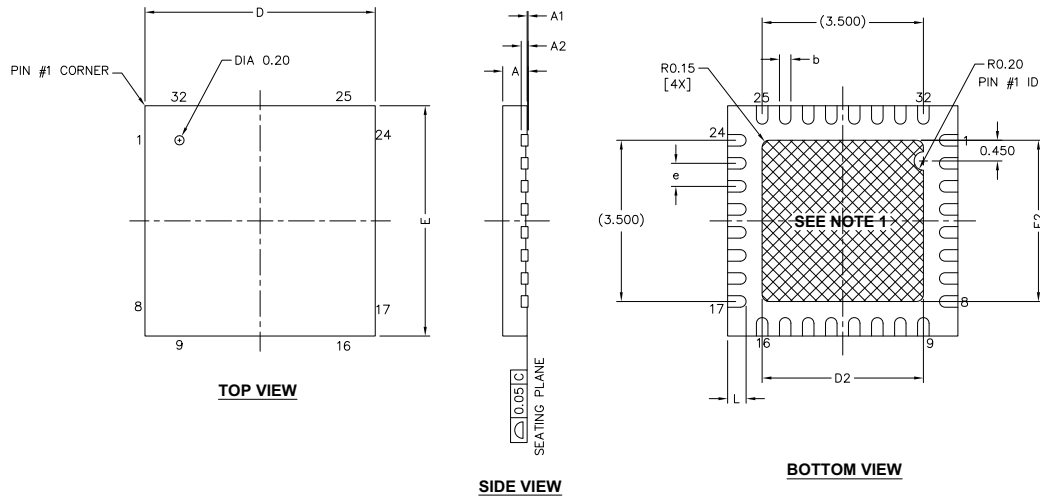
NOTES:

1. HATCH AREA IS SOLDERABLE EXPOSED PAD
2. REFERENCE JEDEC # MO-248
3. PACKAGE WEIGHT: 68 ±2 mg
4. ALL DIMENSIONS ARE IN MILLIMETERS

001-80659 \*A



Figure 7. 32-pin QFN Package Outline



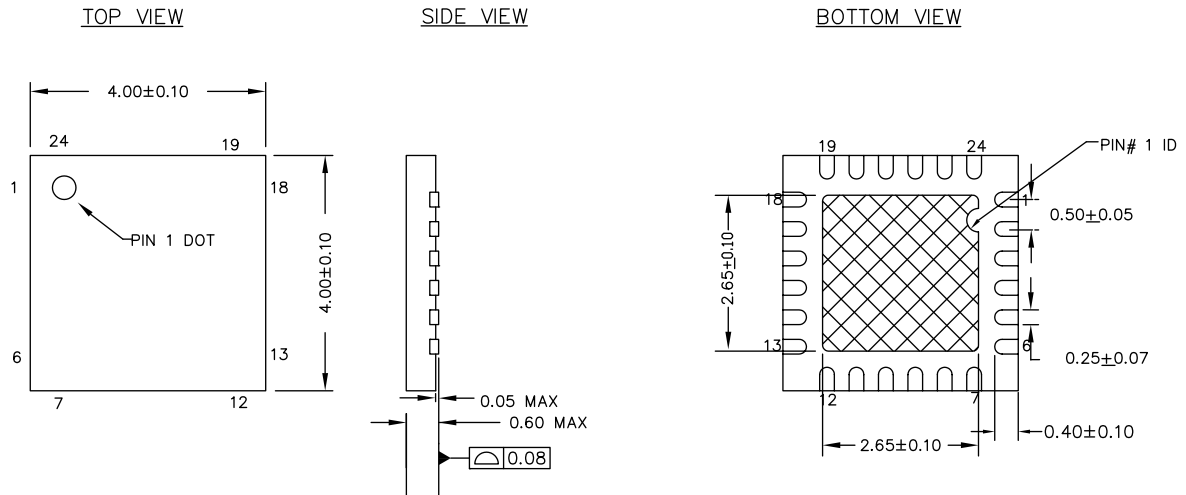
| SYMBOL | DIMENSIONS |       |       |
|--------|------------|-------|-------|
|        | MIN.       | NOM.  | MAX.  |
| A      | 0.50       | 0.55  | 0.60  |
| A1     | -          | 0.020 | 0.045 |
| A2     | 0.15 BSC   |       |       |
| D      | 4.90       | 5.00  | 5.10  |
| D2     | 3.40       | 3.50  | 3.60  |
| E      | 4.90       | 5.00  | 5.10  |
| E2     | 3.40       | 3.50  | 3.60  |
| L      | 0.30       | 0.40  | 0.50  |
| b      | 0.18       | 0.25  | 0.30  |
| e      | 0.50 TYP   |       |       |

NOTES:


1. HATCH AREA IS SOLDERABLE EXPOSED PAD
2. BASED ON REF JEDEC # MO-248
3. PACKAGE WEIGHT: 0.0388g
4. DIMENSIONS ARE IN MILLIMETERS

001-42168 \*F

Figure 8. 24-pin QFN Package Outline



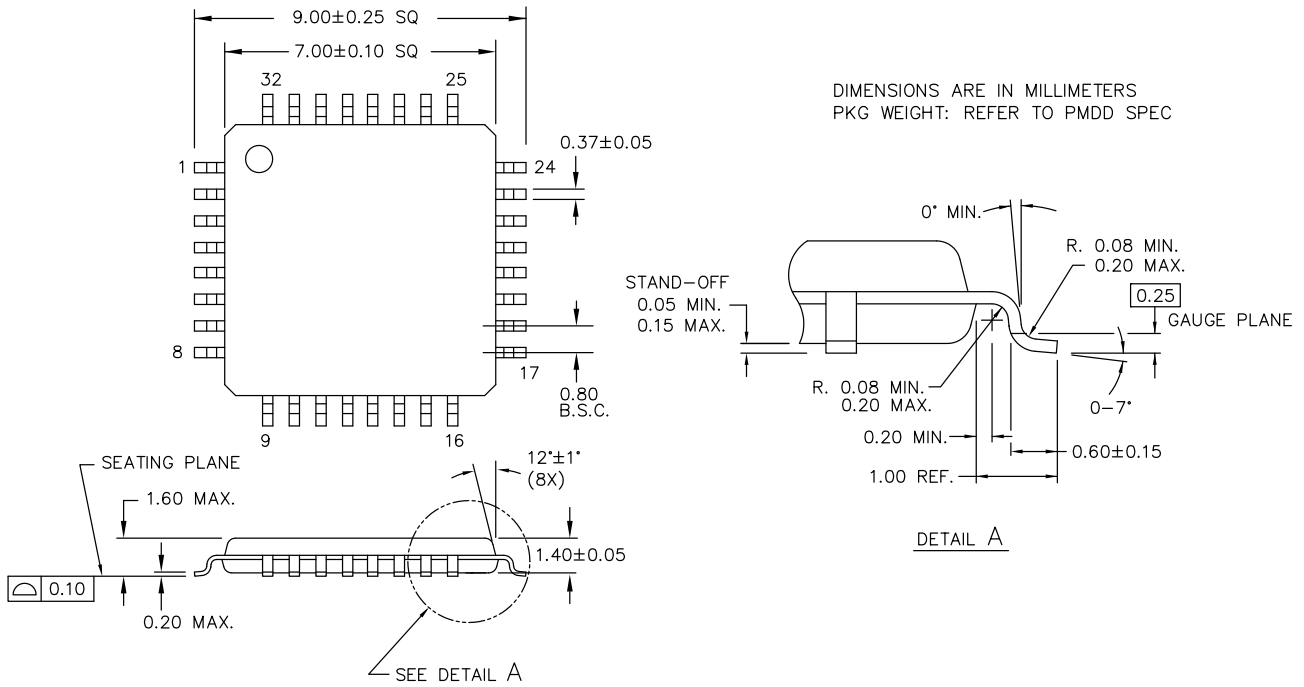
NOTES :

1.  HATCH IS SOLDERABLE EXPOSED METAL.
2. REFERENCE JEDEC # MO-248
3. PACKAGE WEIGHT :  $29 \pm 3$  mg
4. ALL DIMENSIONS ARE IN MILLIMETERS

001-13937 \*F

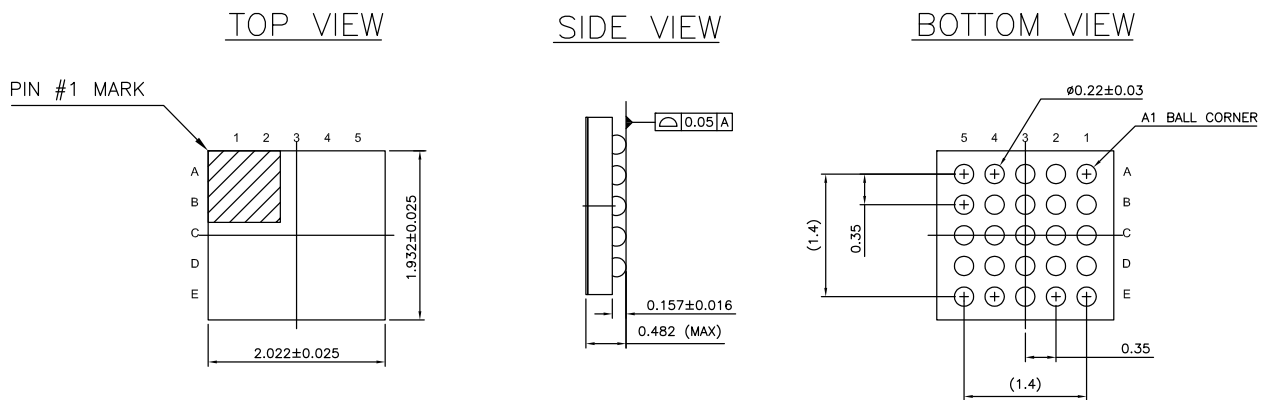
The center pad on the QFN package should be connected to ground (VSS) for best mechanical, thermal, and electrical performance. If not connected to ground, it should be electrically floating and not connected to any other signal.

**Figure 9. 32-pin TQFP Package Outline**



51-85088 \*E

**Figure 10. 25-Ball WLCSP Package Outline**



ALL DIMENSIONS ARE IN MM  
JEDEC Publication 95; Design Guide 4.18

002-09957 \*\*

## Acronyms

**Table 41. Acronyms Used in this Document**

| Acronym          | Description   |
|------------------|---|
| abus             | analog local bus  |
| ADC              | analog-to-digital converter   |
| AG               | analog global   |
| AHB              | AMBA (advanced microcontroller bus architecture) high-performance bus, an ARM data transfer bus |
| ALU              | arithmetic logic unit   |
| AMUXBUS          | analog multiplexer bus  |
| API              | application programming interface   |
| APSR             | application program status register   |
| ARM <sup>®</sup> | advanced RISC machine, a CPU architecture   |
| ATM              | automatic thump mode  |
| BW               | bandwidth   |
| CAN              | Controller Area Network, a communications protocol  |
| CMRR             | common-mode rejection ratio   |
| CPU              | central processing unit   |
| CRC              | cyclic redundancy check, an error-checking protocol   |
| DAC              | digital-to-analog converter, see also IDAC, VDAC  |
| DFB              | digital filter block  |
| DIO              | digital input/output, GPIO with only digital capabilities, no analog. See GPIO.                 |
| DMIPS            | Dhrystone million instructions per second   |
| DMA              | direct memory access, see also TD   |
| DNL              | differential nonlinearity, see also INL   |
| DNU              | do not use  |
| DR               | port write data registers   |
| DSI              | digital system interconnect   |
| DWT              | data watchpoint and trace   |
| ECC              | error correcting code   |
| ECO              | external crystal oscillator   |
| EEPROM           | electrically erasable programmable read-only memory   |
| EMI              | electromagnetic interference  |
| EMIF             | external memory interface   |
| EOC              | end of conversion   |
| EOF              | end of frame  |
| EPSR             | execution program status register   |
| ESD              | electrostatic discharge   |

**Table 41. Acronyms Used in this Document** *(continued)*

| Acronym                  | Description  |
|--------------------------|--|
| ETM                      | embedded trace macrocell                               |
| FIR                      | finite impulse response, see also IIR                  |
| FPB                      | flash patch and breakpoint                             |
| FS                       | full-speed   |
| GPIO                     | general-purpose input/output, applies to a PSoC pin    |
| HVI                      | high-voltage interrupt, see also LVI, LVD              |
| IC                       | integrated circuit                                     |
| IDAC                     | current DAC, see also DAC, VDAC                        |
| IDE                      | integrated development environment                     |
| I <sup>2</sup> C, or IIC | Inter-Integrated Circuit, a communications protocol    |
| IIR                      | infinite impulse response, see also FIR                |
| ILO                      | internal low-speed oscillator, see also IMO            |
| IMO                      | internal main oscillator, see also ILO                 |
| INL                      | integral nonlinearity, see also DNL                    |
| I/O                      | input/output, see also GPIO, DIO, SIO, USBIO           |
| IPOR                     | initial power-on reset                                 |
| IPSR                     | interrupt program status register                      |
| IRQ                      | interrupt request                                      |
| ITM                      | instrumentation trace macrocell                        |
| LCD                      | liquid crystal display                                 |
| LIN                      | Local Interconnect Network, a communications protocol. |
| LR                       | link register  |
| LUT                      | lookup table   |
| LVD                      | low-voltage detect, see also LVI                       |
| LVI                      | low-voltage interrupt, see also HVI                    |
| LVTTTL                   | low-voltage transistor-transistor logic                |
| MAC                      | multiply-accumulate                                    |
| MCU                      | microcontroller unit                                   |
| MISO                     | master-in slave-out                                    |
| NC                       | no connect   |
| NMI                      | nonmaskable interrupt                                  |
| NRZ                      | non-return-to-zero                                     |
| NVIC                     | nested vectored interrupt controller                   |
| NVL                      | nonvolatile latch, see also WOL                        |
| opamp                    | operational amplifier                                  |
| PAL                      | programmable array logic, see also PLD                 |

**Table 41. Acronyms Used in this Document** *(continued)*

| Acronym | Description  |
|---------|--|
| PC      | program counter  |
| PCB     | printed circuit board  |
| PGA     | programmable gain amplifier                                  |
| PHUB    | peripheral hub   |
| PHY     | physical layer   |
| PICU    | port interrupt control unit                                  |
| PLA     | programmable logic array                                     |
| PLD     | programmable logic device, see also PAL                      |
| PLL     | phase-locked loop  |
| PMDD    | package material declaration data sheet                      |
| POR     | power-on reset   |
| PRES    | precise power-on reset                                       |
| PRS     | pseudo random sequence                                       |
| PS      | port read data register                                      |
| PSoC®   | Programmable System-on-Chip™                                 |
| PSRR    | power supply rejection ratio                                 |
| PWM     | pulse-width modulator  |
| RAM     | random-access memory   |
| RISC    | reduced-instruction-set computing                            |
| RMS     | root-mean-square   |
| RTC     | real-time clock  |
| RTL     | register transfer language                                   |
| RTR     | remote transmission request                                  |
| RX      | receive  |
| SAR     | successive approximation register                            |
| SC/CT   | switched capacitor/continuous time                           |
| SCL     | I <sup>2</sup> C serial clock                                |
| SDA     | I <sup>2</sup> C serial data                                 |
| S/H     | sample and hold  |
| SINAD   | signal to noise and distortion ratio                         |
| SIO     | special input/output, GPIO with advanced features. See GPIO. |
| SOC     | start of conversion  |
| SOF     | start of frame   |
| SPI     | Serial Peripheral Interface, a communications protocol       |
| SR      | slew rate  |
| SRAM    | static random access memory                                  |
| SRES    | software reset   |
| SWD     | serial wire debug, a test protocol                           |

**Table 41. Acronyms Used in this Document** *(continued)*

| Acronym | Description  |
|---------|--|
| SWV     | single-wire viewer   |
| TD      | transaction descriptor, see also DMA                                   |
| THD     | total harmonic distortion  |
| TIA     | transimpedance amplifier   |
| TRM     | technical reference manual   |
| TTL     | transistor-transistor logic  |
| TX      | transmit   |
| UART    | Universal Asynchronous Transmitter Receiver, a communications protocol |
| UDB     | universal digital block  |
| USB     | Universal Serial Bus   |
| USBIO   | USB input/output, PSoC pins used to connect to a USB port              |
| VDAC    | voltage DAC, see also DAC, IDAC  |
| WDT     | watchdog timer   |
| WOL     | write once latch, see also NVL   |
| WRES    | watchdog timer reset   |
| XRES    | external reset I/O pin   |
| XTAL    | crystal  |

## Document Conventions

### Units of Measure

**Table 42. Units of Measure**

| Symbol | Unit of Measure        |
|--------|------------------------|
| °C     | degrees Celsius        |
| dB     | decibel                |
| fF     | femto farad            |
| Hz     | hertz                  |
| KB     | 1024 bytes             |
| kbps   | kilobits per second    |
| Khr    | kilohour               |
| kHz    | kilohertz              |
| kΩ     | kilo ohm               |
| ksps   | kilosamples per second |
| LSB    | least significant bit  |
| Mbps   | megabits per second    |
| MHz    | megahertz              |
| MΩ     | mega-ohm               |
| Msps   | megasamples per second |
| μA     | microampere            |
| μF     | microfarad             |
| μH     | microhenry             |
| μs     | microsecond            |
| μV     | microvolt              |
| μW     | microwatt              |
| mA     | milliampere            |
| ms     | millisecond            |
| mV     | millivolt              |
| nA     | nanoampere             |
| ns     | nanosecond             |
| nV     | nanovolt               |
| Ω      | ohm                    |
| pF     | picofarad              |
| ppm    | parts per million      |
| ps     | picosecond             |
| s      | second                 |
| sps    | samples per second     |
| sqrtHz | square root of hertz   |
| V      | volt                   |

**Document History Page**

| Description Title: PSoC® 4: PSoC 4000S Datasheet Programmable System-on-Chip (PSoC®)<br>Document Number: 002-00123 |         |                 |                 |   |
|--|---------|-----------------|-----------------|---|
| Revision   | ECN     | Orig. of Change | Submission Date | Description of Change   |
| **   | 4883809 | WKA             | 08/28/2015      | New data sheet.   |
| *A   | 4992376 | WKA             | 10/30/2015      | Updated <a href="#">Pinouts</a> .<br>Added $V_{DD} \geq 2.2V$ at $-40\text{ }^{\circ}\text{C}$ under Conditions for specs SID247A, SID90, SID92.<br>Updated <a href="#">Table 12</a> .<br>Updated <a href="#">Ordering Information</a> .  |
| *B   | 5037826 | SLAN            | 12/08/2015      | Changed datasheet status to Preliminary   |
| *C   | 5104369 | WKA             | 01/27/2016      | Added Errata.<br>Added 25 WLCSP package details.<br>Updated theta $J_A$ and $J_C$ values for all packages.  |
| *D   | 5139206 | WKA             | 02/16/2016      | Updated copyright information at the end of the document.   |
| *E   | 5173961 | WKA             | 03/15/2016      | Updated <a href="#">Pinouts</a> .<br>Updated values for SID79, BID194, SID175, and SID176.<br>Updated <a href="#">CSD and IDAC Specifications</a> .<br>Updated <a href="#">10-bit CapSense ADC Specifications</a> .   |
| *F   | 5268662 | WKA             | 05/12/2016      | Updated <a href="#">Alternate Pin Functions</a> .<br>Updated the following specs:<br>SID310, SID312, SID313, SID314, SID314C, SID314D, SID314E, SID315, SID315C, SID315D, SID315E, SID322A, SID322B, SIDA109.<br>Removed Errata section.<br>Updated the Cypress logo and copyright information based on the template.   |
| *G   | 5330930 | WKA             | 07/27/2016      | Changed status from Preliminary to Final.<br>Updated <a href="#">LCD Segment Drive</a> .<br>Updated SID60 conditions.<br>Updated IDD specs.<br>Corrected package dimensions for WLCSP package and added WLCSP MSL condition.  |
| *H   | 5415365 | WKA             | 09/14/2016      | Added 40-pin QFN pin and package details.<br>Updated IDD spec values in <a href="#">DC Specifications</a> .   |
| *I   | 5561833 | WKA             | 01/09/2017      | Changed PRGIO references to Smart I/O.  |
| *J   | 5704046 | GNKK            | 04/26/2017      | Updated the Cypress logo and copyright information.   |
| *K   | 5969745 | JIAO            | 11/17/2017      | Updated Document Title to read as "PSoC® 4: PSoC 4000S Datasheet Programmable System-on-Chip (PSoC®)".<br>Added 32-pin TQFP Package related information in all instance across the document.<br>Updated <a href="#">Ordering Information</a> :<br>Updated part numbers.<br>Updated <a href="#">Packaging</a> :<br>Updated <a href="#">Package Diagrams</a> :<br>spec 001-42168 – Changed revision from *E to *F.<br>Added spec 51-85088 *E. |

## Sales, Solutions, and Legal Information

### Worldwide Sales and Design Support

Cypress maintains a worldwide network of offices, solution centers, manufacturer's representatives, and distributors. To find the office closest to you, visit us at [Cypress Locations](#).

#### Products

|                               |  |
|-------------------------------|--|
| ARM® Cortex® Microcontrollers | <a href="http://cypress.com/arm">cypress.com/arm</a>               |
| Automotive                    | <a href="http://cypress.com/automotive">cypress.com/automotive</a> |
| Clocks & Buffers              | <a href="http://cypress.com/clocks">cypress.com/clocks</a>         |
| Interface                     | <a href="http://cypress.com/interface">cypress.com/interface</a>   |
| Internet of Things            | <a href="http://cypress.com/iot">cypress.com/iot</a>               |
| Memory                        | <a href="http://cypress.com/memory">cypress.com/memory</a>         |
| Microcontrollers              | <a href="http://cypress.com/mcu">cypress.com/mcu</a>               |
| PSoC                          | <a href="http://cypress.com/psoc">cypress.com/psoc</a>             |
| Power Management ICs          | <a href="http://cypress.com/pmic">cypress.com/pmic</a>             |
| Touch Sensing                 | <a href="http://cypress.com/touch">cypress.com/touch</a>           |
| USB Controllers               | <a href="http://cypress.com/usb">cypress.com/usb</a>               |
| Wireless Connectivity         | <a href="http://cypress.com/wireless">cypress.com/wireless</a>     |

#### PSoC® Solutions

[PSoC 1](#) | [PSoC 3](#) | [PSoC 4](#) | [PSoC 5LP](#) | [PSoC 6](#)

#### Cypress Developer Community

[Forums](#) | [WICED IOT Forums](#) | [Projects](#) | [Video](#) | [Blogs](#) | [Training](#) | [Components](#)

#### Technical Support

[cypress.com/support](http://cypress.com/support)

© Cypress Semiconductor Corporation, 2015-2017. This document is the property of Cypress Semiconductor Corporation and its subsidiaries, including Spansion LLC ("Cypress"). This document, including any software or firmware included or referenced in this document ("Software"), is owned by Cypress under the intellectual property laws and treaties of the United States and other countries worldwide. Cypress reserves all rights under such laws and treaties and does not, except as specifically stated in this paragraph, grant any license under its patents, copyrights, trademarks, or other intellectual property rights. If the Software is not accompanied by a license agreement and you do not otherwise have a written agreement with Cypress governing the use of the Software, then Cypress hereby grants you a personal, non-exclusive, nontransferable license (without the right to sublicense) (1) under its copyright rights in the Software (a) for Software provided in source code form, to modify and reproduce the Software solely for use with Cypress hardware products, only internally within your organization, and (b) to distribute the Software in binary code form externally to end users (either directly or indirectly through resellers and distributors), solely for use on Cypress hardware product units, and (2) under those claims of Cypress's patents that are infringed by the Software (as provided by Cypress, unmodified) to make, use, distribute, and import the Software solely for use with Cypress hardware products. Any other use, reproduction, modification, translation, or compilation of the Software is prohibited.

TO THE EXTENT PERMITTED BY APPLICABLE LAW, CYPRESS MAKES NO WARRANTY OF ANY KIND, EXPRESS OR IMPLIED, WITH REGARD TO THIS DOCUMENT OR ANY SOFTWARE OR ACCOMPANYING HARDWARE, INCLUDING, BUT NOT LIMITED TO, THE IMPLIED WARRANTIES OF MERCHANTABILITY AND FITNESS FOR A PARTICULAR PURPOSE. To the extent permitted by applicable law, Cypress reserves the right to make changes to this document without further notice. Cypress does not assume any liability arising out of the application or use of any product or circuit described in this document. Any information provided in this document, including any sample design information or programming code, is provided only for reference purposes. It is the responsibility of the user of this document to properly design, program, and test the functionality and safety of any application made of this information and any resulting product. Cypress products are not designed, intended, or authorized for use as critical components in systems designed or intended for the operation of weapons, weapons systems, nuclear installations, life-support devices or systems, other medical devices or systems (including resuscitation equipment and surgical implants), pollution control or hazardous substances management, or other uses where the failure of the device or system could cause personal injury, death, or property damage ("Unintended Uses"). A critical component is any component of a device or system whose failure to perform can be reasonably expected to cause the failure of the device or system, or to affect its safety or effectiveness. Cypress is not liable, in whole or in part, and you shall and hereby do release Cypress from any claim, damage, or other liability arising from or related to all Unintended Uses of Cypress products. You shall indemnify and hold Cypress harmless from and against all claims, costs, damages, and other liabilities, including claims for personal injury or death, arising from or related to any Unintended Uses of Cypress products.

Cypress, the Cypress logo, Spansion, the Spansion logo, and combinations thereof, WICED, PSoC, CapSense, EZ-USB, F-RAM, and Traveo are trademarks or registered trademarks of Cypress in the United States and other countries. For a more complete list of Cypress trademarks, visit [cypress.com](http://cypress.com). Other names and brands may be claimed as property of their respective owners.