

DETAILS

Product Number	FN15180_STRADA-2X2S-T3
Family	Strada-Module
Type	Lens array
Color	clear
Diameter	50+50 mm
Height	7,23 mm
Style	rectang
Optic Material	Silicone
Holder Material	PA66GF30
Fastening	screw
Status	promotion
ROHS Compliant	Yes
Date Updated	10/03/2016

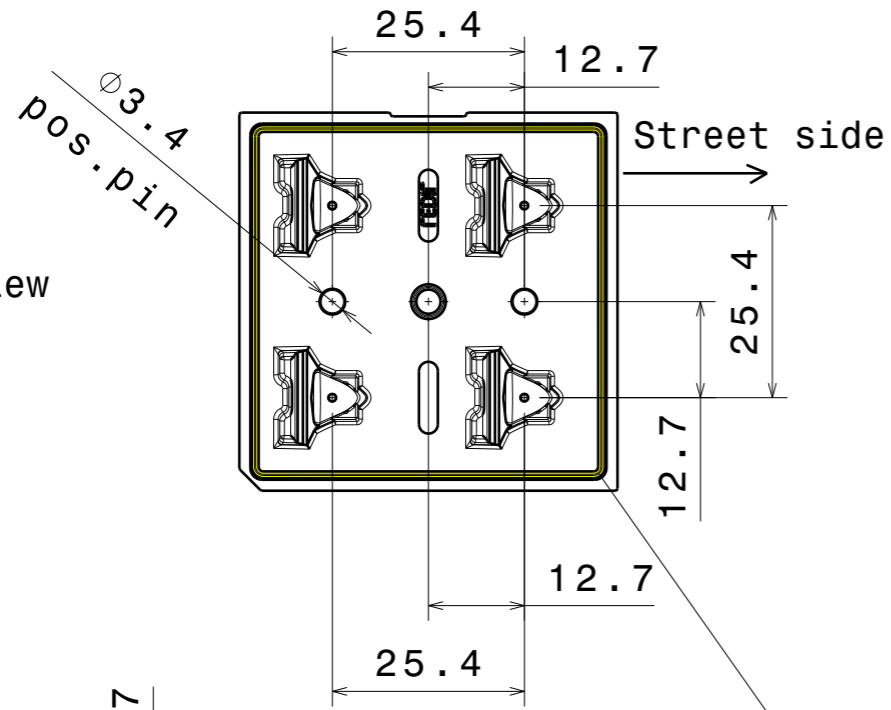


OPTICAL PROPERTIES

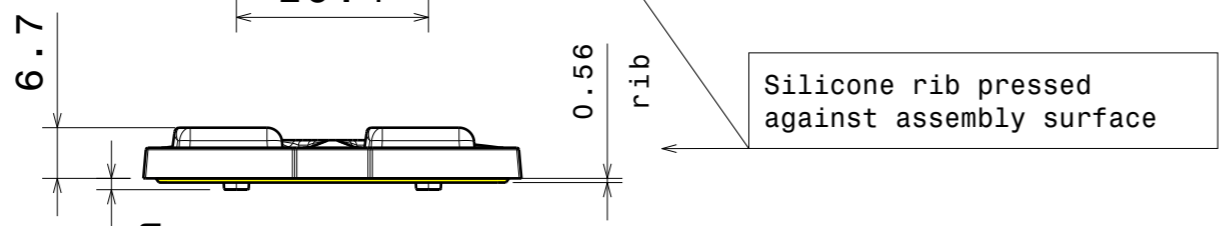
LED	Viewing	Light	Effi-		Connector
	Angle	Beam	ciency	cd/lm	
XP-G2	sim: Asymmetri	Streetligh...	sim: 90 %	sim: 0.000	-
XP-L	sim: Asymmetri	Streetligh...	sim: 90 %	sim: 0.000	-
XP-L HI	sim: Asymmetri	Streetligh...	sim: 90 %	sim: 0.000	-
LUXEON MZ	sim: Asymmetri	Streetligh...	sim: 90 %	sim: 0.000	-
Oslon Square PC	sim: Asymmetri	Streetligh...	sim: 90 %	sim: 0.000	-
LUXEON TX	sim: Asymmetri	Streetligh...	sim: 90 %	sim: 0.000	-
XHP35 HD	sim: Asymmetri	Streetligh...	sim: 90 %	sim: 0.000	-
XHP35 HI	sim: Asymmetri	Streetligh...	sim: 91 %	sim: 0.000	-
XT-E	sim: Asymmetri	Streetligh...	sim: 90 %	sim: 0.000	-
XT-E HVW	sim: Asymmetri	Streetligh...	sim: 90 %	sim: 0.000	-
XQ-E HI	sim: Asymmetri	Streetligh...	sim: 90 %	sim: 0.000	-
XB-D	sim: Asymmetri	Streetligh...	sim: 89 %	sim: 0.000	-
Duris S8	sim: Asymmetri	Streetligh...	sim: 90 %	sim: 0.000	-
NVSxx19B/NVSxx19C	sim: Asymmetri	Streetligh...	sim: 89 %	sim: 0.000	-

H G F E D C B A

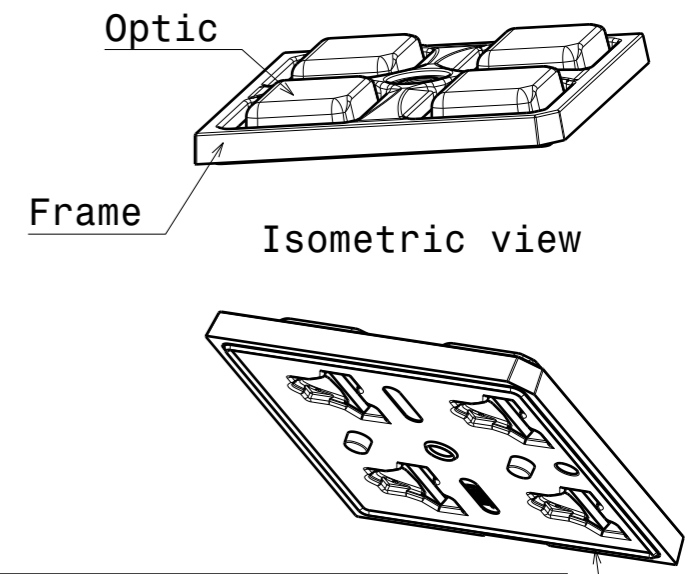
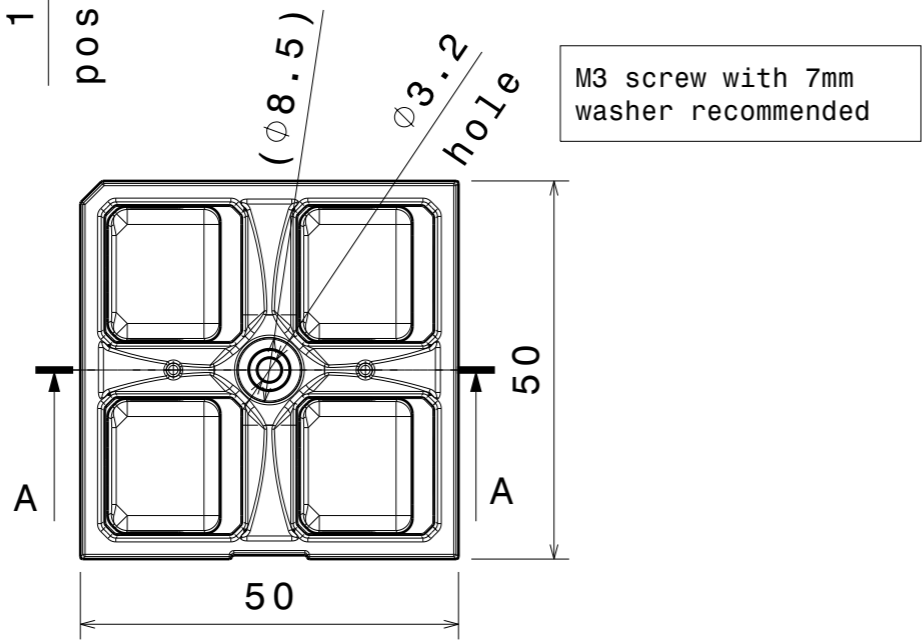
Bottom view



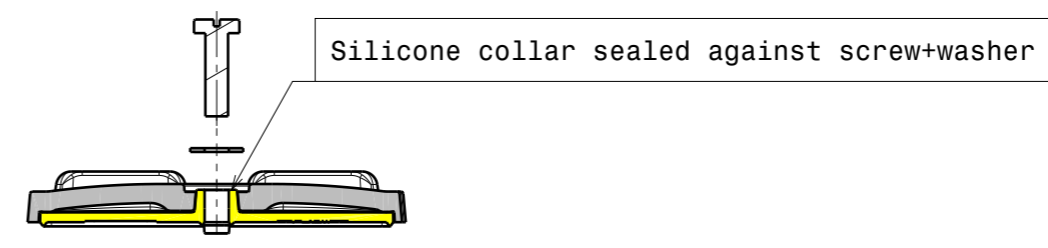
Front view



Top view



Silicone seal is tested to work in LEDiL test assemblies. Customer is recommended to test the sealing in the end product due many variables, such as heat sink and pcb surface and possible chemical traces



Section view C-C
Scale: 1:1

INDEX	PART NO	DESCRIPTION	MATERIAL	COLOUR
1	FN15180	STRADA-2X2S-T3	LSR 70 shA / PA66GF30	Optic clear, Frame Black
<small>Tolerances if not otherwise shown According to DIN ISO 2768-1 Linear measures: up to 30mm class M, otherwise class C According to DIN ISO 2768-2 Form and position: class L</small>		Ledil Oy Salorankatu 10 FIN 24240 SALO Finland		
THIRD ANGLE PROJECTION:		DRAWING TITLE FN15180_STRADA-2X2S-T3		
<small>This drawing is the property of LEDiL Oy. It may not be reproduced, copied or communicated without a written agreement with LEDiL Oy.</small>		SIZE A3	PART NUMBER FN15180	
		SCALE 1:1	WEIGHT - g	SHEET 1/1

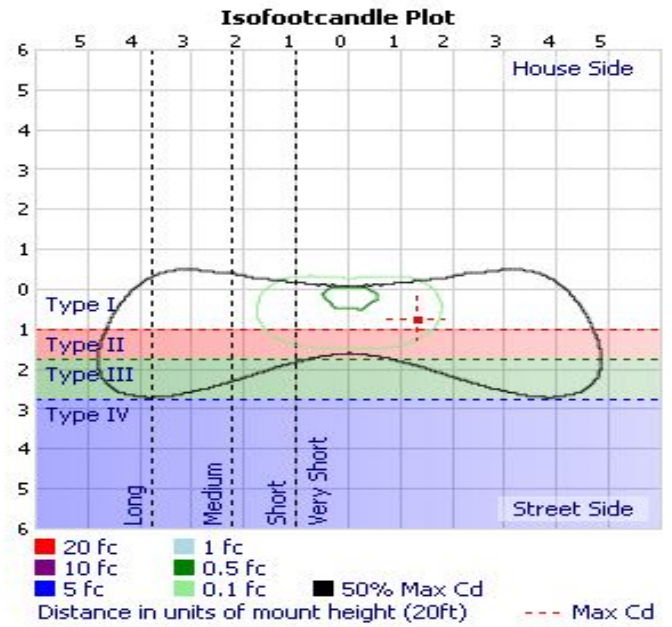
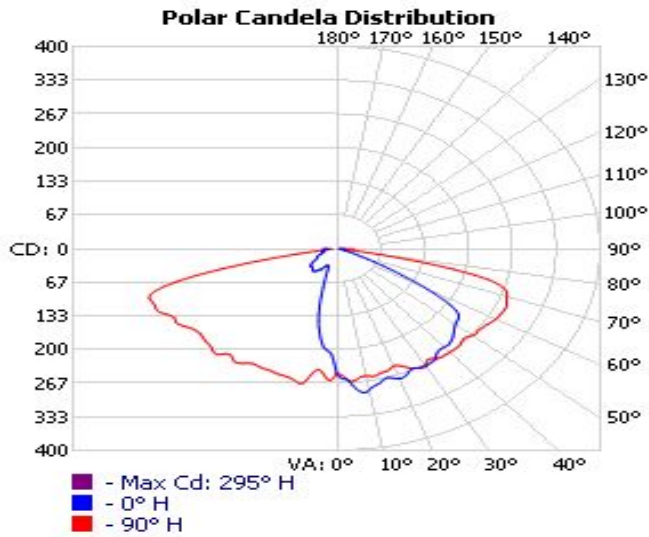
H G B A

MANUFACTURER:

TEST #: LEDIL SIMULATION
DESCRIPTION: FN15180_STRADA-2X2S-T3_XHP35_SIMULATED
LAMP: 1000LM
LAMP OUTPUT: 1 LAMP, RATED LUMENS/LAMP: 1000
INPUT WATTAGE: 1
LUMINOUS OPENING: RECTANGLE W/LUMINOUS SIDES (L: 0.01M, W: 0.01M, H: 0.01M)
MAX CD: 397.0 AT HORIZONTAL: 295°, VERTICAL: 69°
CUTOFF CLASS: SEMICUTOFF
ROADWAY CLASS: MEDIUM, TYPE III
EFFICIENCY: 90.4%

No
Photo
Available

SEE REPORT NOTES **



NOTE: The typical divergence will be changed by different color, chip size and chip position tolerance. The typical total divergence is the full angle measured where the luminous intensity is half of the peak value.