

PLEASE CHECK WWW.MOLEX.COM FOR LATEST PART INFORMATION

Part Number: [1210230464](#)
Status: **Active**
Overview: Brad® mPm® DIN Valve Connectors
Description: mPm® DIN Valve Connector, Form C - Industrial, PG7 Internal Threads, 3 Pole Plus Ground Terminal, 250V AC/300V DC, Black Nitrile Gasket and Screw, Bulk Pack Mounted

Documents:

[Drawing \(PDF\)](#) [RoHS Certificate of Compliance \(PDF\)](#)
[Packaging Specification PK-121023-C19 \(PDF\)](#)

Agency Certification

UL E218123

General

Product Family Field Attachable / Accessories
 Series [121023](#)
 Form C - Industrial
 IP Rating IP65, IP67
 Overview [Brad® mPm® DIN Valve Connectors](#)
 Product Name mPm®
 Type Field Attachable Connector
 UPC 883906249076

Physical

Cable Diameter N/A
 Coupling Type Internal Thread
 Diagnostics / LEDs No
 Diagnostics Port No
 Gender N/A
 Keyway None
 Material - Connector Body Polypropylene
 Material - Contact Brass
 Material - Coupling Nut N/A
 Material - Plating Mating Silver
 Orientation 90° Angle
 Pitch - Mating Interface 9.40mm
 Poles 3
 Temperature Range - Operating -40°C to +90°C
 Wire Size AWG N/A

Electrical

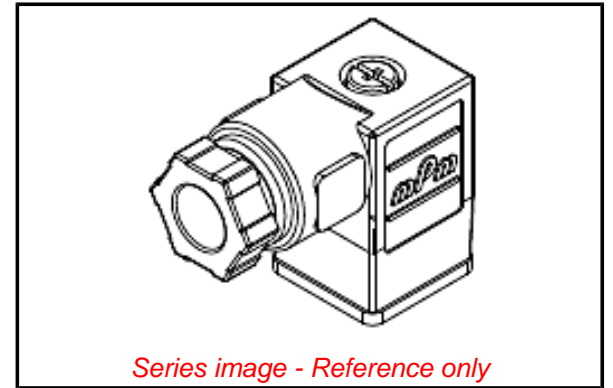
Current - Maximum per Contact 16.0A
 Voltage - Maximum 250V AC / 300V DC

Material Info

Old Part Number C19307N21

Reference - Drawing Numbers

Packaging Specification PK-121023-C19
 Sales Drawing SD-121023-005



Series image - Reference only

EU ELV

Not Relevant

EU RoHS

Compliant with Exemption 6(c)

REACH SVHC

Contains SVHC(17. December 2014): No

Halogen-Free

Status

Low-Halogen

Need more information on product environmental compliance?

Email productcompliance@molex.com
 Please visit the [Contact Us](#) section for any non-product compliance questions.

China ROHS

50 Image

ELV

Not Relevant

Search Parts in this Series

[121023](#) Series