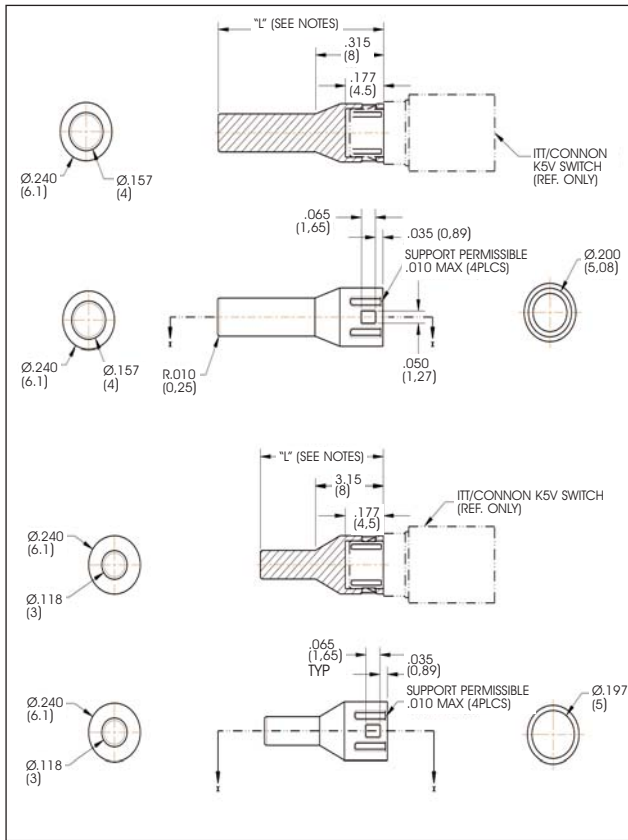




Optopipe® Lightpipe Actuator Extensions



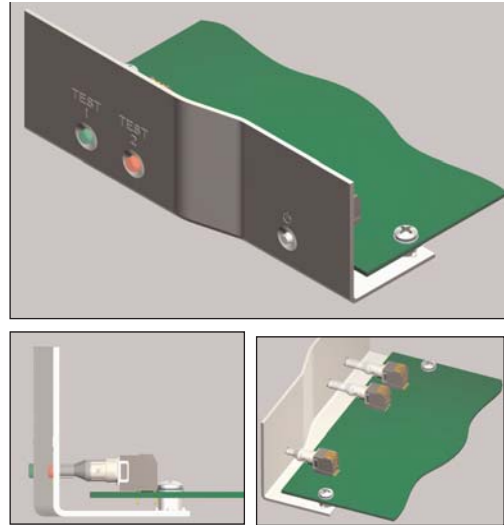
Features & Benefits

- Fits C&K K5V2 illuminated LED switch
- Available in 3mm and 4mm diameters
- Variable length from 10mm to 25mm
- RoHS compliant
- Custom color options available (consult factory)
- Custom length options available (consult factory)
- Opaque colors available for use with C&K K5V2 nonilluminated switches



Application

Dialight Optopipe® actuator extensions are designed for use with C&K K5V2 lighted tactile switches. These snap-in clear lenses do not need to sit on the edge of a PCB and is offered in a variety of sizes to accommodate a range of panel depths. Dialight Optopipe actuator extensions are ideal for server, storage, network infrastructure, automotive, and medical applications.



Order Code

515-114 X-XXX-F

Length in (mm)
Diameter (mm)

Part Numbers: 4mm diameter

| Part Number | Length |
|---------------|--------|
| 515-1140-100F | 10mm |
| 515-1140-120F | 12mm |
| 515-1140-125F | 12.5mm |
| 515-1140-130F | 13mm |
| 515-1140-195F | 19.5mm |
| 515-1140-225F | 22.5mm |
| 515-1140-235F | 23.5mm |
| 515-1140-250F | 25mm |

Part Numbers: 3mm diameter

| Part Number | Length |
|---------------|--------|
| 515-1149-145F | 14.5mm |



Dialight reserves the right to make changes at any time in order to supply the best product possible.

The most current version of this document will always be available at:

http://www.dialight.com/Assets/Brochures_And_Catalogs/Indication/MDELPE515X001.pdf

MDELPE515X001_A