

MATERIAL :

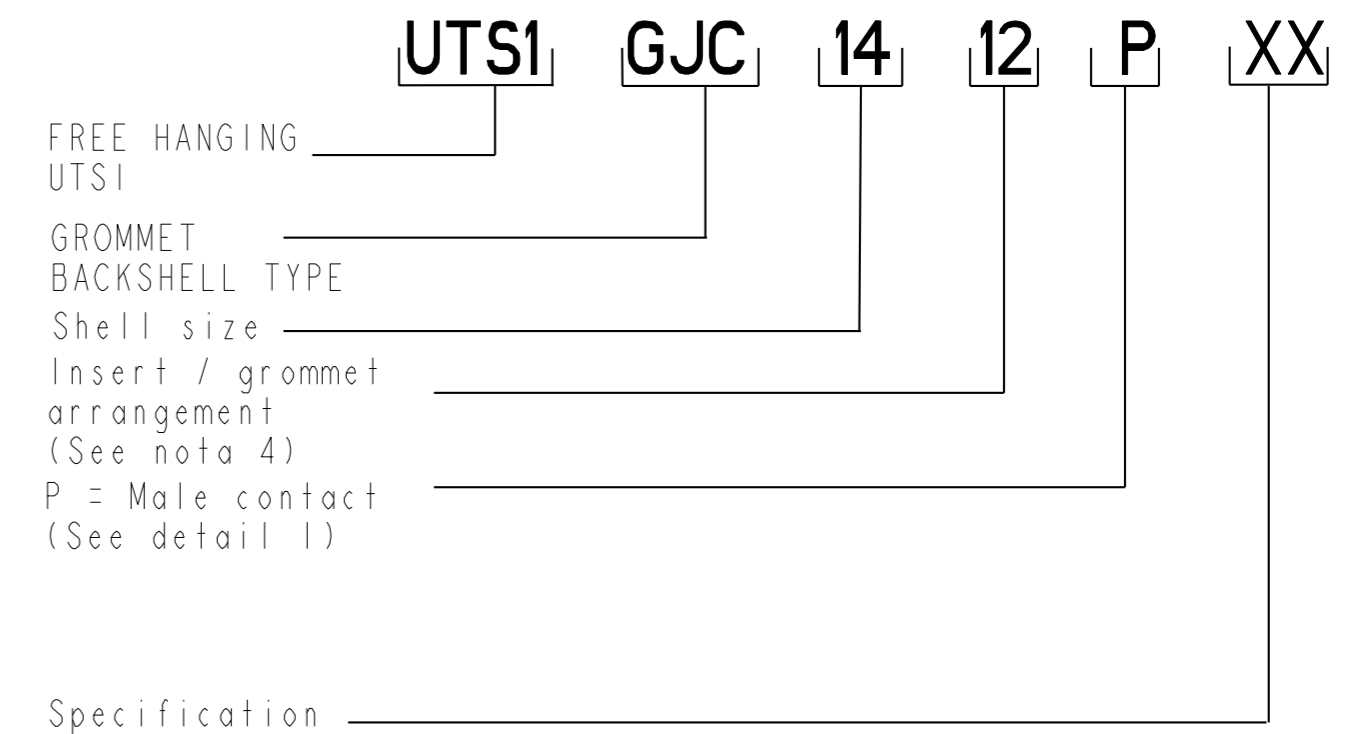
Shell: Polyamid UL94 V-0
 Insert: Polyamid UL94 V-0
 Seal gasket : Sealing IP68/69K : Silicone
 O'ring: nitril
 Backshell body : Polyamid UL94 V-0
 Backshell nut: Polyamid UL94 V-0
 Grommet : Silicone

PERFORMANCE CHARACTERISTICS :

Operating temperature: -40°C up to 105°C
 Insulation resistance: 5000 MΩmin
 Test potential: 2000 Vrms for #16 layout and 1500Vrms for #20 layout
 Corrosion salt spray: 500 hours
 Durability: 250 matings and unmatings
 Sealing in mated conditions:
 - IP68 1 bar during 1 week : immersion under 10 m of water. (IEC 60529)
 - IP69K : exposure to high pressure water of cleaning equipment (DIN 40050)

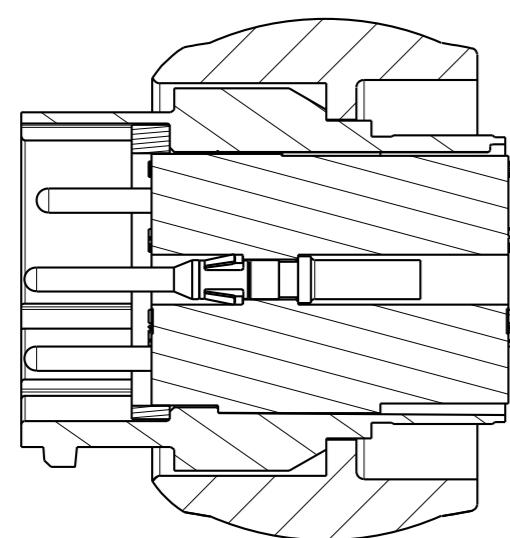
NOTES :

- 1- Receptacle, backshell and the reducing seal are delivered as a kit. The backshell already includes the standard seal.
- 2- Contact to be ordered separately : refer to TRIM TRIO catalog
- 3- Colored ring to be ordered separately refer to customer drawing C006-UTSI-A
- 4- developed Grommet arrangements : refer to C042-UTSI-A

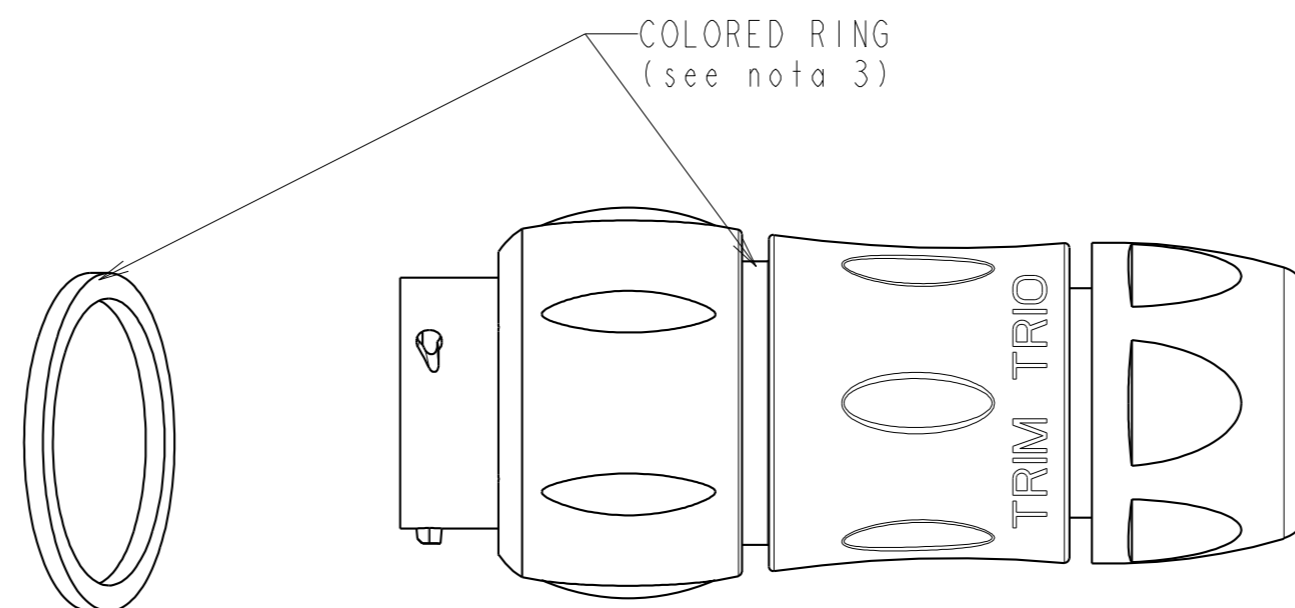


SHELL SIZE	LAYOUT	ØA±0.15	B±0.15	L MINI.	HEXAGON D	CAPACITY C		E MAX
						STANDARD SEAL	REDUCING SEAL	
14	SEE NOTE 4	22.20	34.60	80.5	34.90	7 / 14	5 / 12	37.6
12	SEE NOTE 4	19.00	29.70	74.50	31.80	5 / 12	3 / 9	33.5
10	SEE NOTE 4	14.90	26.20	70.75	27.00	2.5 / 8	1.5 / 5	30

MALE CONNECTOR
(detail 1)



COLORED RING
(see nota 3)



CUSTOMER DRAWING

q	12/02/08	--	New drawing	--
ISS	DATE	Latest modification - by: RAGAINÉ M.		MOD N°
Designed by: RAGAINÉ M.		Date: 31/05/07		CUSTOMER DRAWING
TITLE		FREE HANGING WITH GROMMET UTS CONNECTOR		
Scale	2/1	General linear Tolerances: ±0.2	NPRDS / PROJECT UTSI	
		WWW.SOURIAU.COM		This document is the property of SOURIAU. It must not be reproduced or communicated without permission.
FORMAT	A2	SOURIAU DRG N° C049-UTSI-A		SHEET

NOT EXPORT CONTROLLED