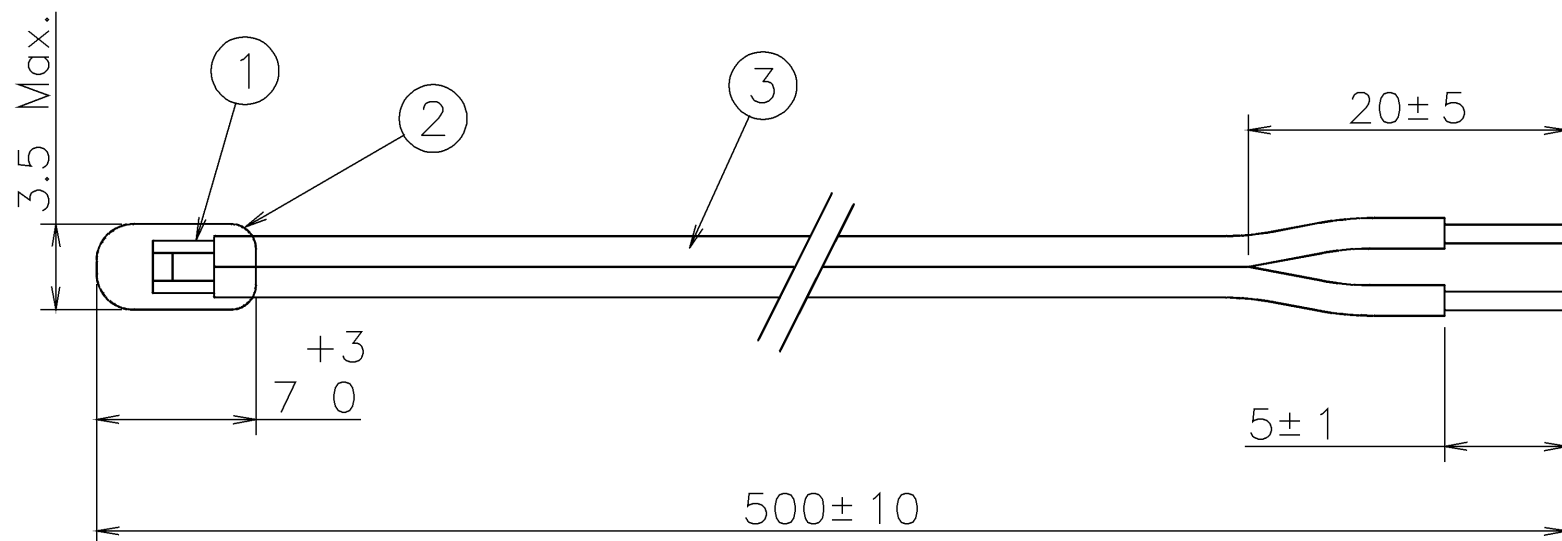


1.DIMENSION DRAWINGS

①	Thermistor	Chip Type
②	Coating Resin	Epoxy Resin
③	Lead Wire	UL2555 CSA TR-64 AWG#28 (Blue) Note

Note. Identification of individual lead wire shall be UL1007.
Lead wire assembly shall be applied UL2555.



2.ELECTRICAL CHARACTERISTICS

2-1	Zero Power Resistance at 25 °C	R25 6.8 KΩ±3 %
2-2	B-Value	B25/50 3950 K±2 %
2-3	Maximum Permissible Power	188mW (in still air at 25 °C)
2-4	Insulation Resistance	100 MΩ Min (at 500 V DC)
2-5	Dielectric Withstanding Voltage	1500 V AC 1 min
2-6	Operating Temperature Range	-30°C~+80°C
2-7	Storage Temperature Range	-40°C~+100°C

No.1.This Thermistor is 159-682-86003
(OHIZUMI MFG. CO.,LTD Part Number)

			承認 APPROVED BY K. Miyakawa 07-04-03	品目分類記号
D	E0083863	07-04-03	 単位 UNIT m m 尺度 SCALE 07-04-03 設計 DESIGNED BY WASHITA 07-04-03 図番 DWG NO.	名称 TITLE THERMISTOR
C	E0028757	99-10-27		
B	ECN-F-2888	96-07-08		
A	1st DRW S.F	93-02-18		
記号 REV.	記事 DESCRIPTION	日付 DATE		
山洋電気株式会社 SANYO DENKI CO.,LTD.				169-002D
				REV. 00096265,0002