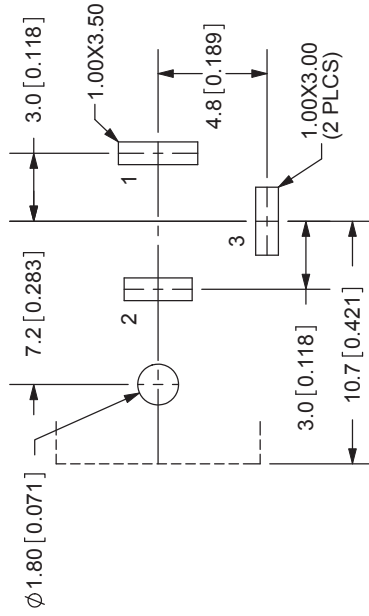
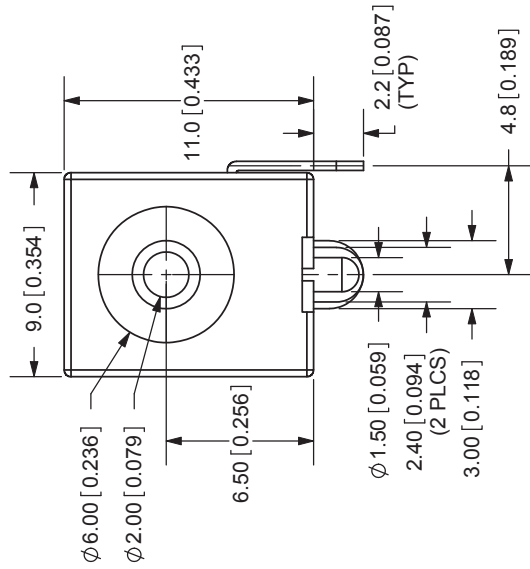
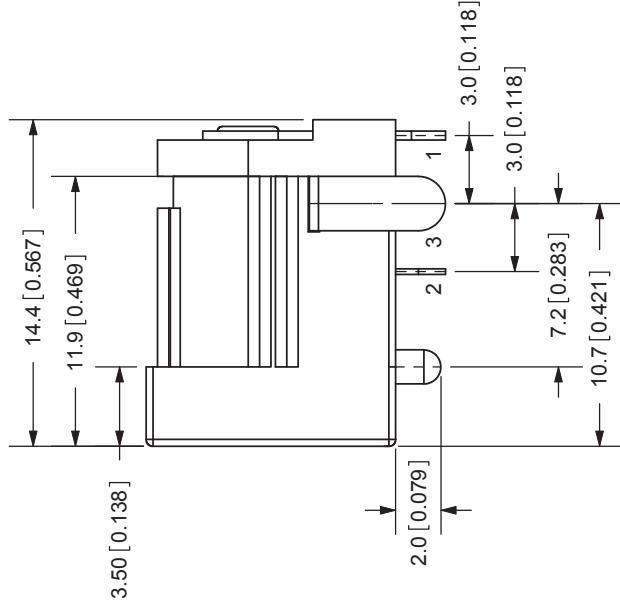


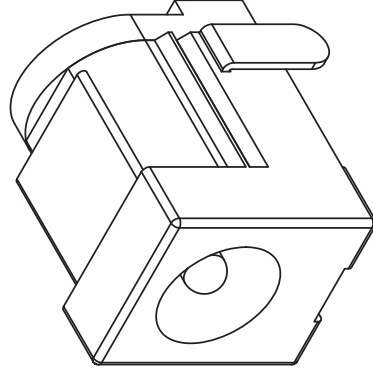
REV.	DESCRIPTION	DATE
A	NEW DRAWING	7/30/2007



PCB LAYOUT
TOP VIEW

MODEL NO.	PJ-050AH
SCHEMATIC	

CENTER PIN DIAMETER 2.00mm Dia.



TOLERANCE:
X.X±0.2mm
X.XX±0.1mm
X.XXX±0.05mm



CUI INC

20050 SW 112th Ave.
Tualatin, OR 97062
Phone: 503-612-2300
800-275-4899
Fax: 503-612-2383
Website: www.cui.com

SPECIFICATIONS:
RATING: 16V DC @ 5A
CONTACT RESISTANCE: 50m OHMS MAX
INSULATION RESISTANCE: 100M OHMS MIN: 500V DC
VOLTAGE WITHSTAND: 500V AC R.M.S. FOR 1 MINUTE
LIFE: 5,000 CYCLES
OPERATING TEMP: -25° ~ +85°C

CENTER PIN	MATERIAL	PLATING
TERMINAL 1	Copper	Nickel
TERMINAL 2	Brass	Silver
TERMINAL 3	Copper Alloy	Silver
BODY	Brass	Silver
	PBT	

TITLE: DC POWER JACK REV: A

PART NO: PJ-050AH UNITS: MM [INCHES]

DRAWN BY: ZRJ APPROVED BY: SCALE: 3:1