



Ordering number	C11997		
Description	C11997-Emily-SS-was-OSL		
Family	Emily	FWHM	0 degrees
Type	Lens	Efficiency	-
LED	Oslon SSL 80	cd/lm	-
Color	Transparent	Gerber File	Available
Diameter	26 mm		
Height	15.00 mm		
Style	Round		
Optic Material	PMMA		
Holder Material	-		
Fastening	Tape, pin		
Status	Ready		



Ordering number	CA11998		
Description	CA11998_Emily-SS-was-Tape-OSL		
Family	Emily	FWHM	0 degrees
Type	Lens	Efficiency	-
LED	Oslon SSL 80	cd/lm	-
Color	Transparent	Gerber File	Available
Diameter	26 mm		
Height	15.00 mm		
Style	Round		
Optic Material	PMMA		
Holder Material	-		
Fastening	Tape, pin		
Status	Ready		



Ordering number	C11999		
Description	C11999-Emily-O-was-OSL		
Family	Emily	FWHM	0 degrees
Type	Lens	Efficiency	-
LED	Oslon SSL 80	cd/lm	-
Color	Transparent	Gerber File	Available
Diameter	26 mm		
Height	15.00 mm		
Style	Round		
Optic Material	PMMA		
Holder Material	-		
Fastening	Tape, pin		
Status	Tooling		



Ordering number	CA12000		
Description	CA12000_Emily-O-was-Tape-OSL		
Family	Emily	FWHM	0 degrees
Type	Lens	Efficiency	-
LED	Oslon SSL 80	cd/lm	-
Color	Transparent	Gerber File	Available
Diameter	26 mm		
Height	15.00 mm		
Style	Round		
Optic Material	PMMA		
Holder Material	-		
Fastening	Pin, tape		
Status	Ready		



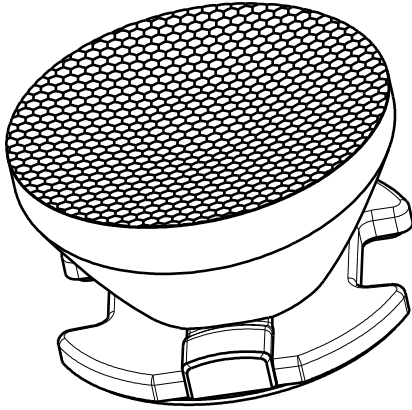
Emily Emily-WAS series

D

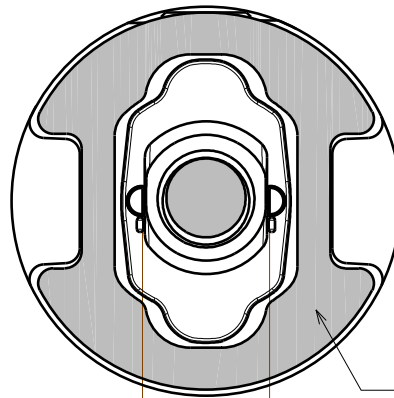
C

B

A



Isometric view

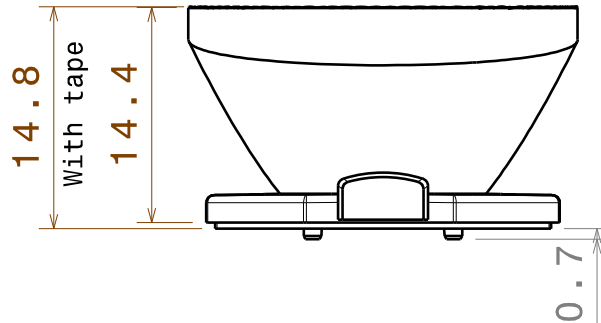


Bottom view

0.4mm tape

8.6

location pins



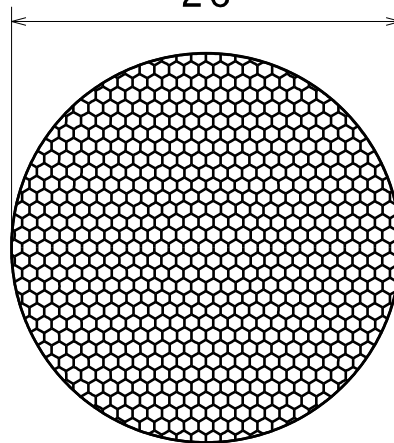
Front view

14.8
With tape

14.4

0.7

26



Top view

Part No.s:

- CA11998_Emily-SS-was-Tape-XP
- CA11998_Emily-SS-was-Tape-XP-G
- CA11998_Emily-SS-was-Tape-XM
- CA11998_Emily-SS-was-Tape-RE
- CA11998_Emily-SS-was-Tape-RE-ES
- CA11998_Emily-SS-was-Tape-N19
- CA11998_Emily-SS-was-Tape-OSL
- CA11998_Emily-SS-was-Tape-Z5

- CA12000_Emily-O-was-Tape-XP
- CA12000_Emily-O-was-Tape-XP-G
- CA12000_Emily-O-was-Tape-XM
- CA12000_Emily-O-was-Tape-RE
- CA12000_Emily-O-was-Tape-RE-ES
- CA12000_Emily-O-was-Tape-N19
- CA12000_Emily-O-was-Tape-OSL
- CA12000_Emily-O-was-Tape-Z5

Material: Lens PMMA

This drawing is our property. It can't be reproduced or communicated without our written agreement.



Ledil Oy
Tehdaskatu 13
FIN-24100 SALO
Finland

DRAWING TITLE

Datasheet Emily-was Assembly

DRAWN BY

mav

DATE

01.03.2011

CHECKED BY

hh

DATE

01.03.2011

SIZE

A4

DRAWING NUMBER

Multiple

REV

1

DESIGNED BY

hh

DATE

25.01.2011

SCALE

2:1

WEIGHT (g)

SHEET

1/1

D

A

4

4

3

3

2

2

1

1