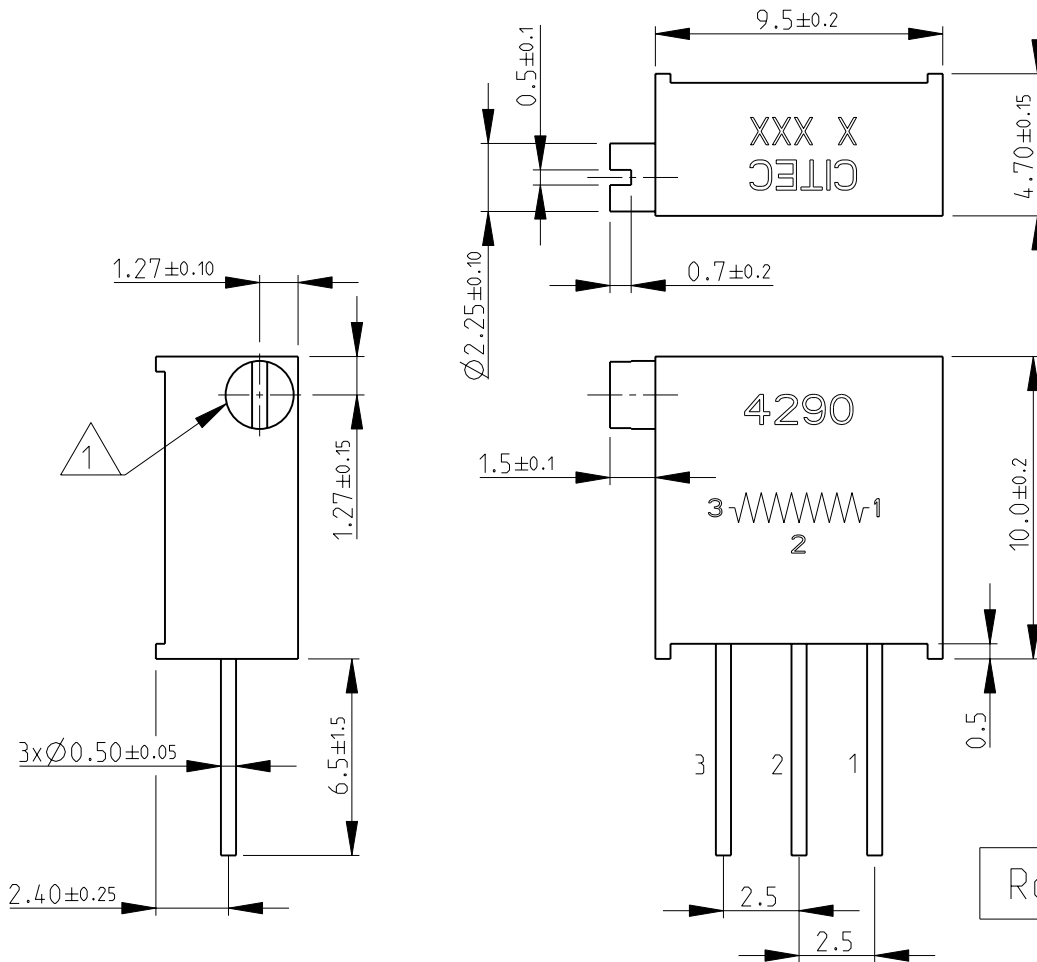


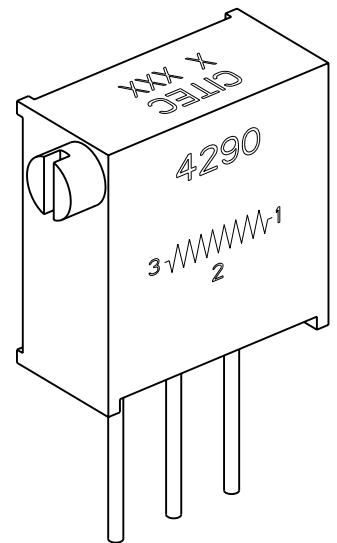
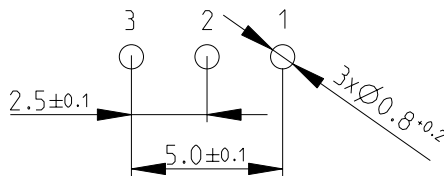
LOC	DIST	REVISIONS					
E	B	P	LTR	DESCRIPTION	DATE	DWN	APVD
			BA	NEW RELEASE	09-Sep-08	SM	St.P



RoHS Compliant

- 1 SIDE ADJUSTMENT SCREW
- 2 FOR FURTHER INFORMATION SEE DATA SHEET FOR 4290 SERIES-PROFESSIONAL TRIMMERS

PCB PIERCING PLAN



2008

RELEASED FOR PUBLICATION

THIS DRAWING IS UNPUBLISHED.

BY TYCO ELECTRONICS CORPORATION. ALL RIGHTS RESERVED. COPYRIGHT 2008

DIMENSIONS: mm	DWN	SUBHASH.M	09-Sep-08	MATERIAL	-	FINISH	-	
	CHK	PRAKASH.S	09-Sep-08	Tyco Electronics Corporation Dorcan, Swindon, SN3 5HH				
TOLERANCES UNLESS OTHERWISE SPECIFIED:	APVD	STEPHEN.P	09-Sep-08					NAME
	0 PLC	±0.5	PRODUCT SPEC				PROFESSIONAL TRIMMERS	
1 PLC	±0.2	APPLICATION SPEC				SERIES 4290X		
2 PLC	±0.1	WEIGHT				SIZE	A 4	
3 PLC	±-	CUSTOMER DRAWING				CAGE CODE	00779	
4 PLC	±-	SCALE				DRAWING NO	©-1623850	
ANGLES	±5°	RESTRICTED TO				-		
				SHEET				1 OF 1
				REV				BA