

## Class J Fuseblocks(600V) Catalog Data

Catalog Number	Covers		Voltage	Current	Number of Poles	Label
	Class J	w/o Indication				
JM60100-1CR	CVR-J-60100	CVRI-J-60100	600	100	1	JM60100-1CR
JM60100-2CR					2	JM60100-2CR
JM60100-3CR					3	JM60100-3CR
JM60200-1CR	CVR-J-60200	CVRI-J-60200		200	1	JM60200-1CR
JM60200-2CR					2	JM60200-2CR
JM60200-3CR					3	JM60200-3CR
JM60400-1CR	CVR-J-60400	CVRI-J-60400		400	1	JM60400-1CR
JM60400-2CR					2	JM60400-2CR
JM60400-3CR					3	JM60400-3CR
JM60600-1CR	CVR-J-60600	CVRI-J-60600		600	1	JM60600-1CR
JM60600-2CR					2	JM60600-2CR
JM60600-3CR					3	JM60600-3CR

**COOPER Bussmann**  
St. Louis MO 63178

TITLE:

**Class J fuse holder-CUST**

SCALE:  
1:5

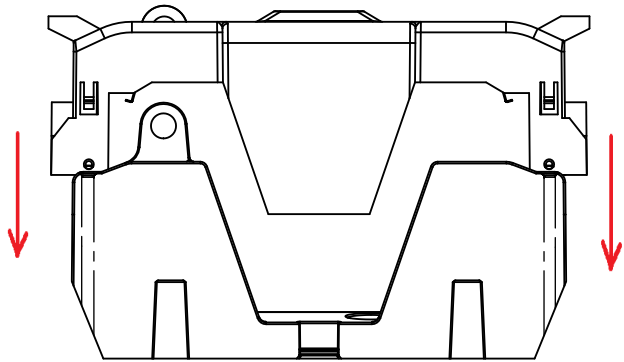
SIZE:  
A3

SHEET:  
1 OF 14

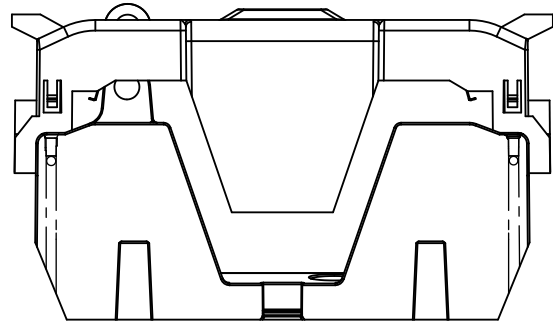
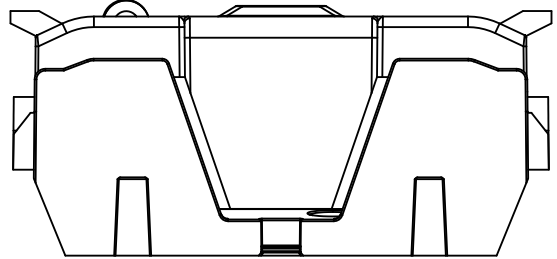


A  
B  
C  
D  
E  
F

1 2 3 4 5 6 7 8

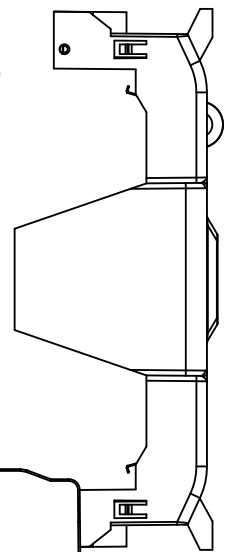
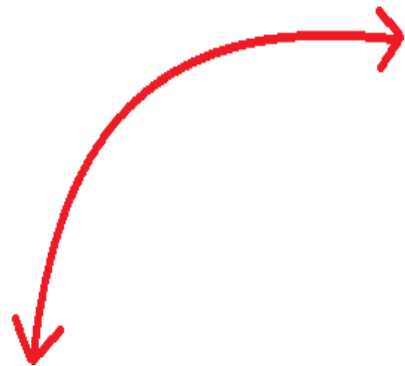


PUSH DOWN



LIFT UP

LIFT UP, THEN ROTATE OVER



**COOPER Bussmann**  
St. Louis MO 63178

TITLE:  
**Class J fuse holder-CUST**

SCALE: 1:2 SIZE: A3 SHEET: 2 OF 14

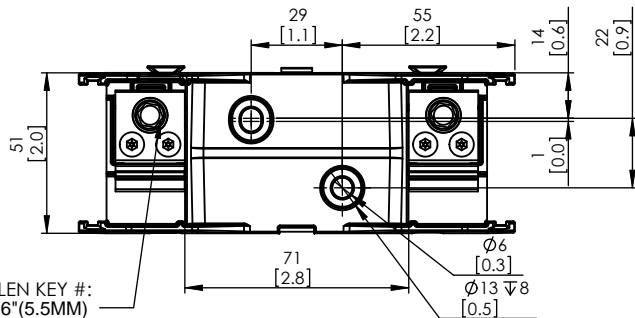
1 2 3 4 5 6 7 8

DESIGN UNITS: METRIC (mm)  
UNLESS OTHERWISE SPECIFIED  
[INCHES]

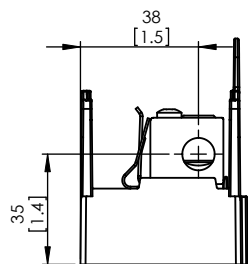
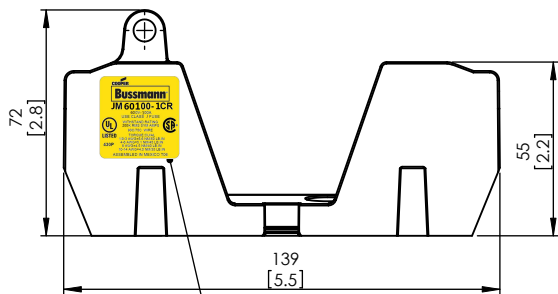


THIRD ANGLE PROJECTION

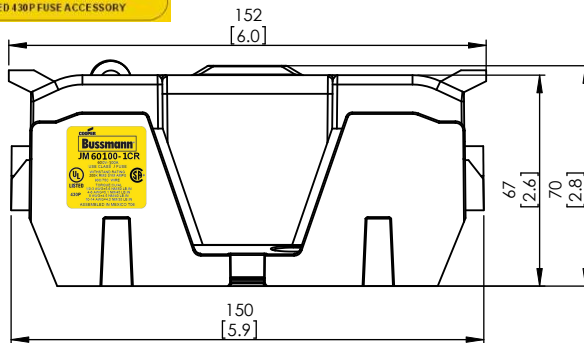
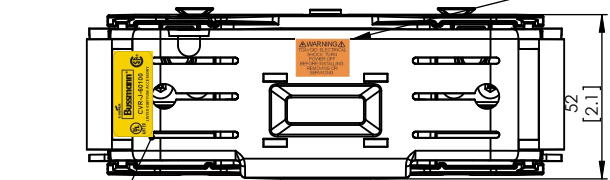
**JM60100-1CR**



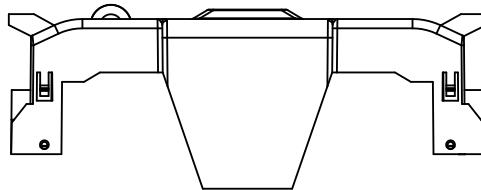
ALLEN KEY #:  
3/16" (5.5MM)



**JM60100-1CR  
WITH CVR-J-60100 INSTALLED**

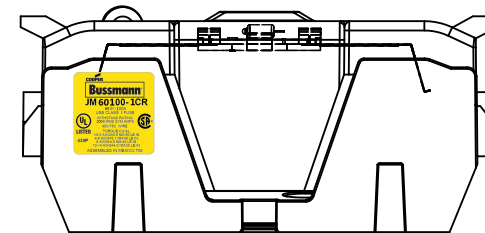
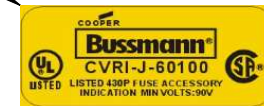
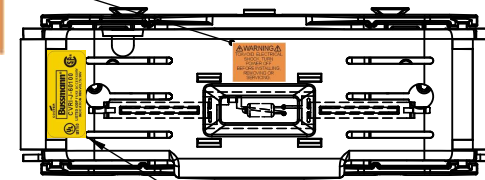


**CVR-J-60100**

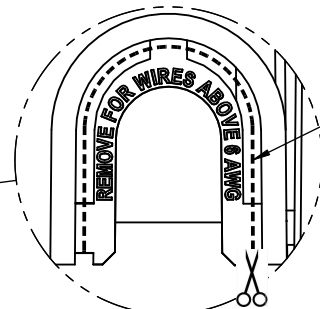
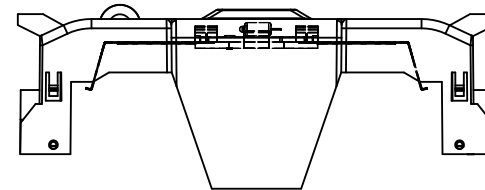


**JM60100-1CR  
WITH CVRI-J-60100 INSTALLED**

**WARNING**  
TO AVOID ELECTRICAL SHOCK, TURN POWER OFF BEFORE INSTALLING, REMOVING OR SERVICING.



**CVRI-J-60100**



CUT OPEN ALONG THIS DOTTED LINE FOR WIRES ABOVE 6 AWG

**COOPER Bussmann**  
St. Louis MO 63178

TITLE:  
**Class J fuse holder-CUST**

SCALE: 1:1 SIZE: A3 SHEET: 3 OF 14

DESIGN UNITS: METRIC (mm)  
UNLESS OTHERWISE SPECIFIED  
[INCHES]

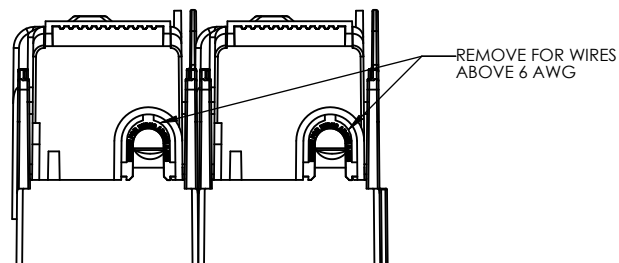
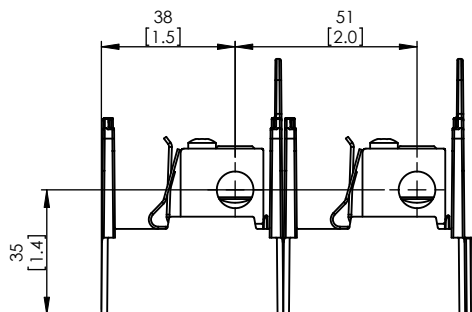
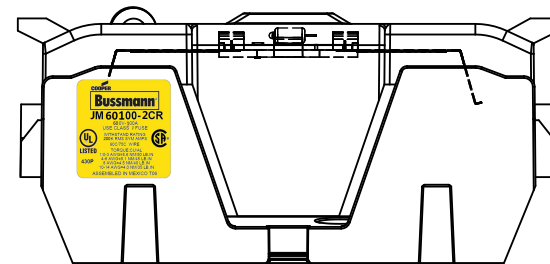
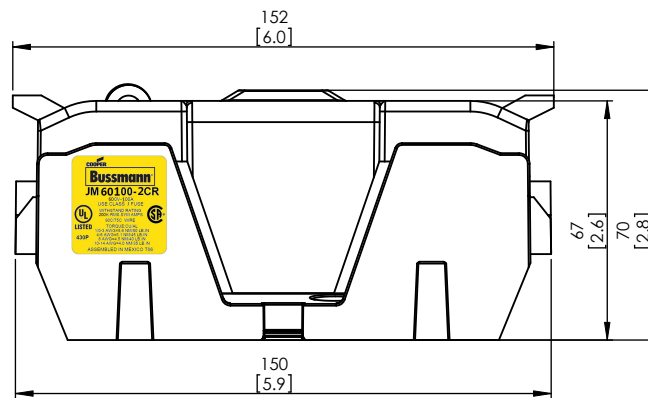
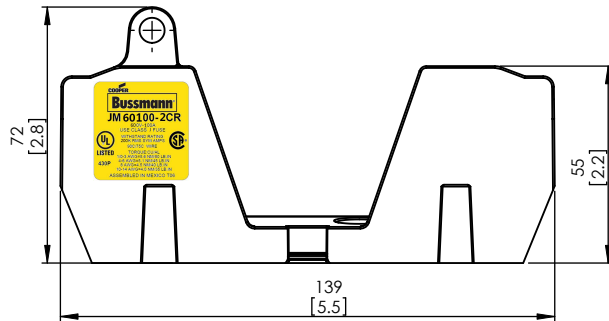
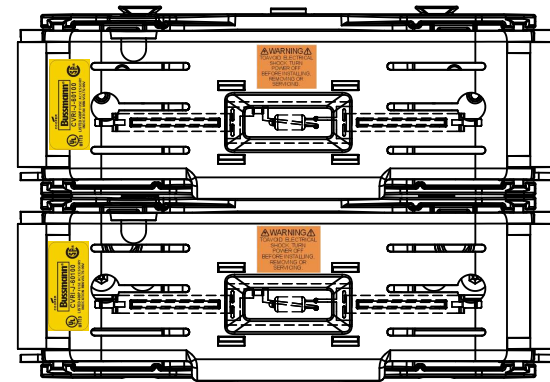
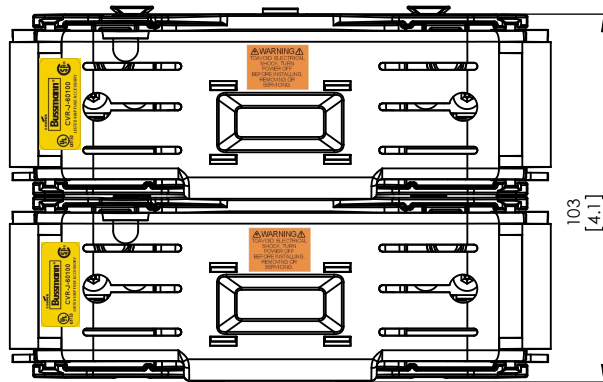
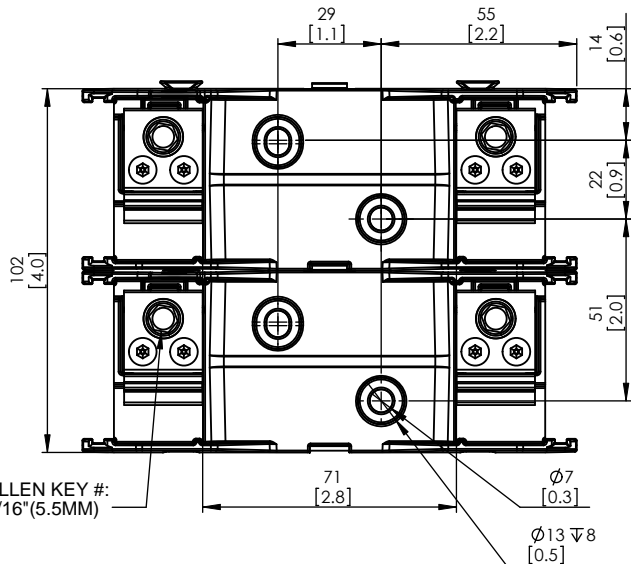


THIRD ANGLE PROJECTION

**JM60100-2CR**

**JM60100-2CR  
WITH CVR-J-60100 INSTALLED**

**JM60100-2CR  
WITH CVRI-J-60100 INSTALLED**



**COOPER Bussmann**  
St. Louis MO 63178

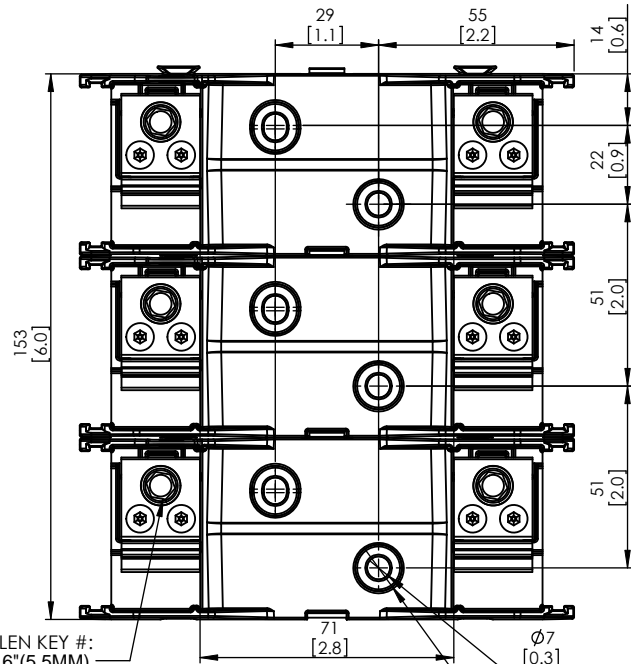
TITLE:  
**Class J fuse holder-CUST**

SCALE: 1:1      SIZE: A3      SHEET: 4 OF 14

DESIGN UNITS: METRIC (mm)  
UNLESS OTHERWISE SPECIFIED  
[INCHES]

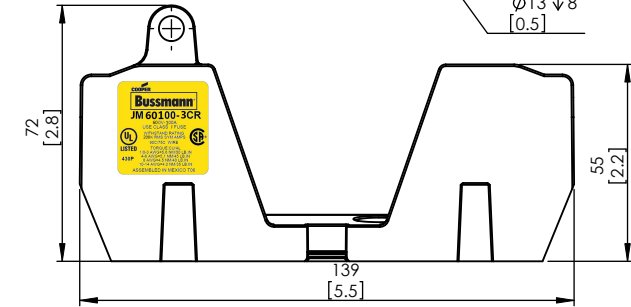


**JM60100-3CR**

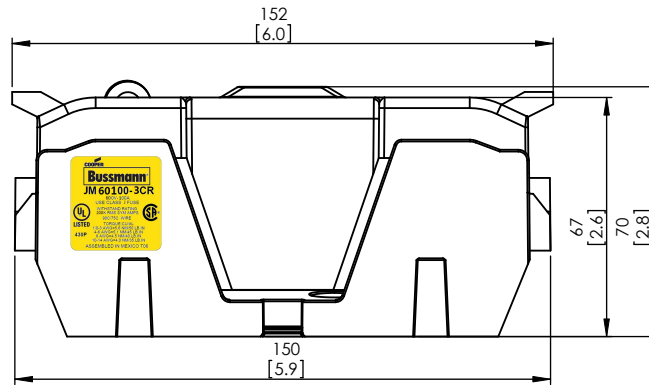
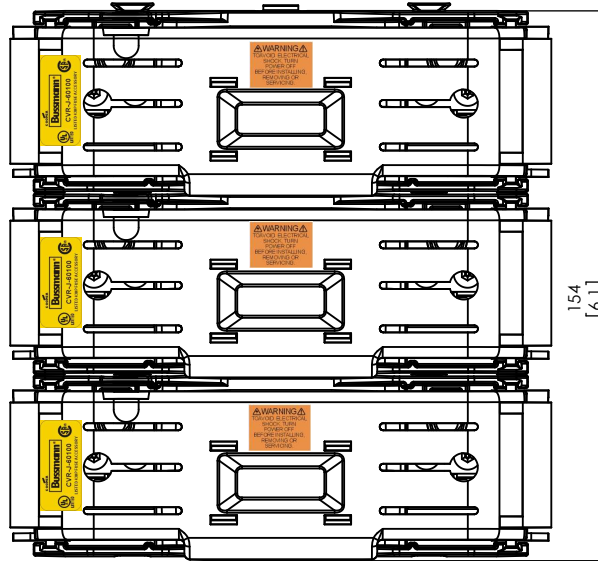


ALLEN KEY #:  
3/16" (5.5MM)

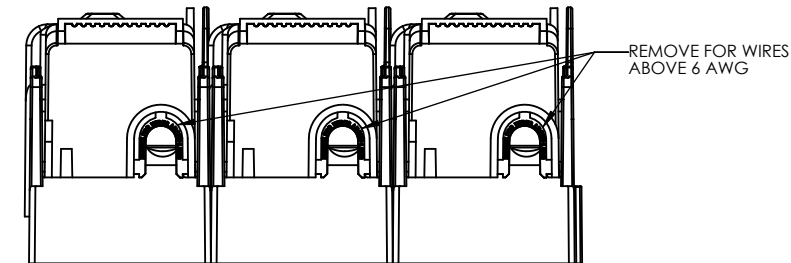
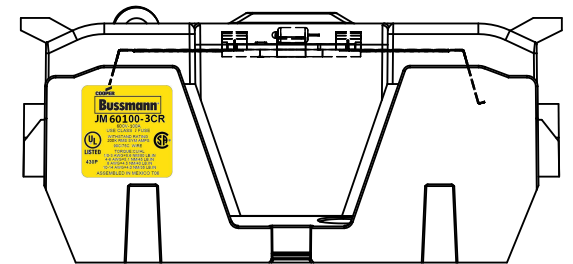
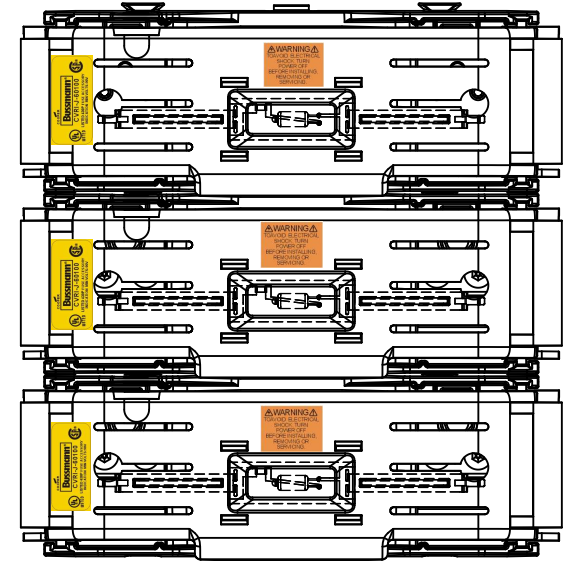
Ø7 [0.3]  
Ø13 ∇8 [0.5]



**JM60100-3CR  
WITH CVR-J-60100 INSTALLED**



**JM60100-3CR  
WITH CVRI-J-60100 INSTALLED**

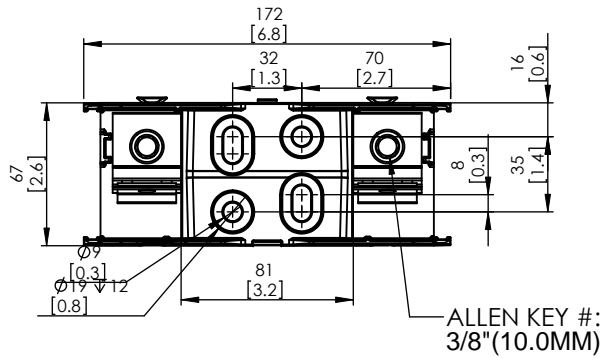


**COOPER Bussmann**  
St. Louis MO 63178

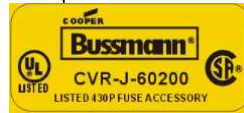
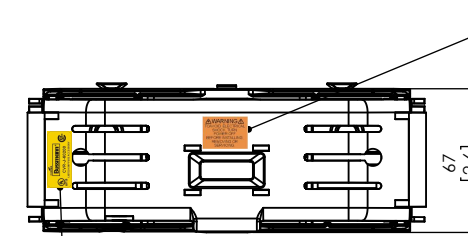
**Class J fuse holder-CUST**

SCALE: 1:1 SIZE: A3 SHEET: 5 OF 14

**JM60200-1CR**

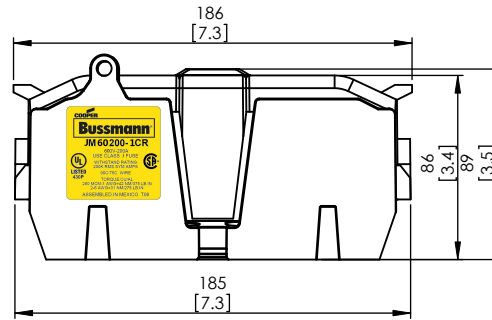
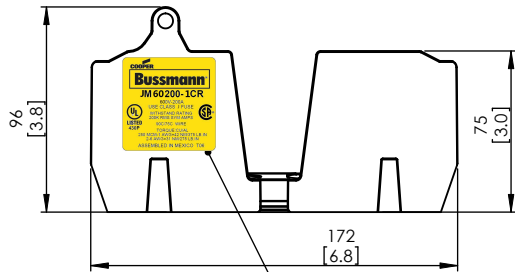
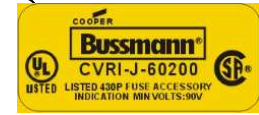
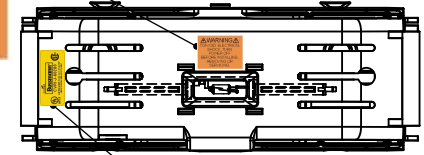


**JM60200-1CR WITH CVR-J-60200 INSTALLED**

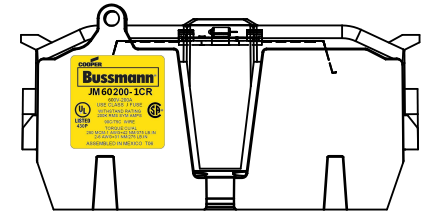
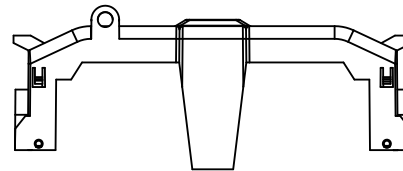


**JM60200-1CR WITH CVRI-J-60200 INSTALLED**

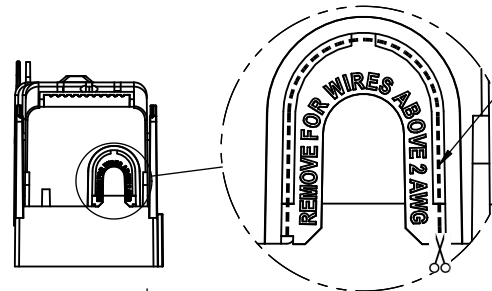
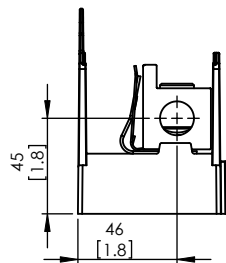
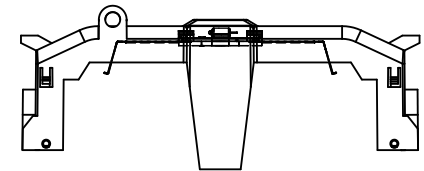
**WARNING**  
TO AVOID ELECTRICAL SHOCK, TURN POWER OFF BEFORE INSTALLING, REMOVING OR SERVICING.



**CVR-J-60200**



**CVRI-J-60200**

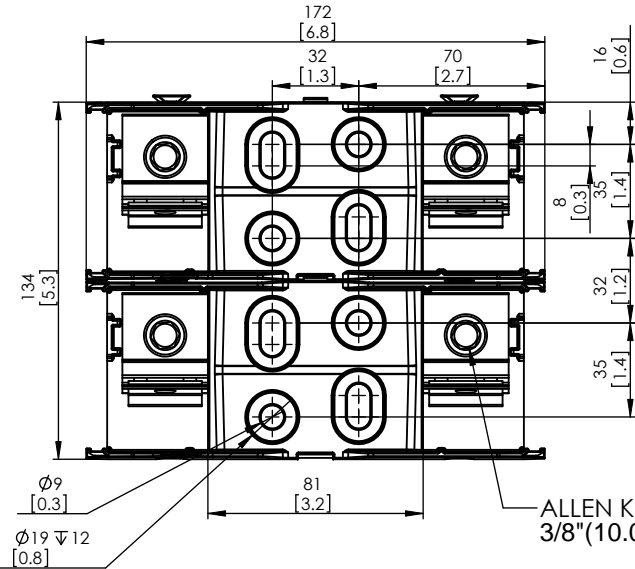


COOPER Bussmann  
St. Louis MO 63178

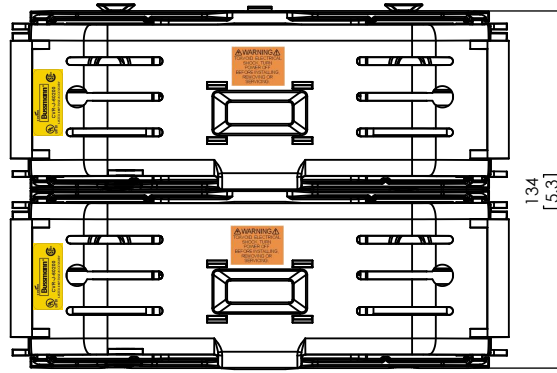
**Class J fuse holder-CUST**

SCALE: 1:2 SIZE: A3 SHEET: 6 OF 14

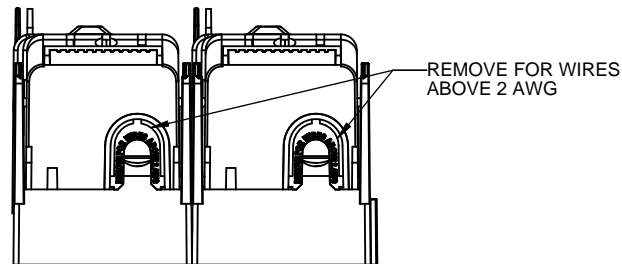
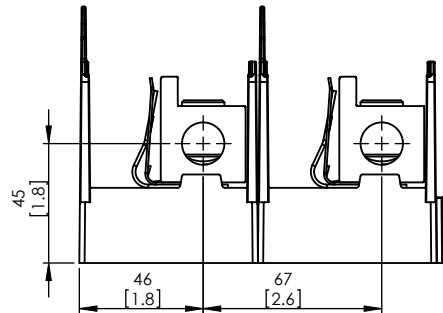
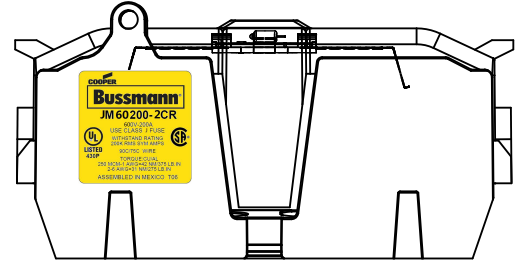
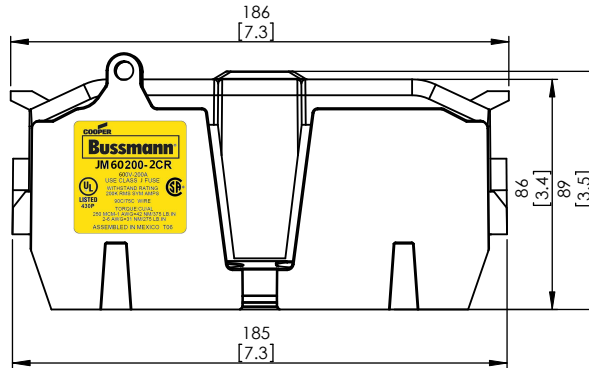
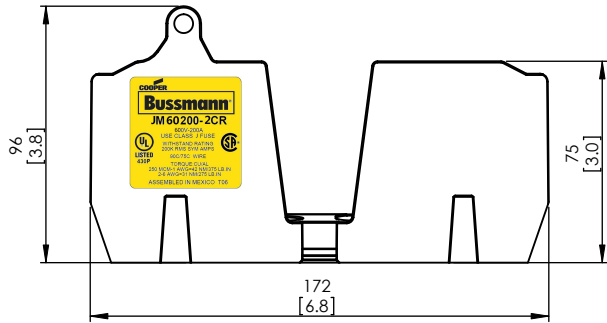
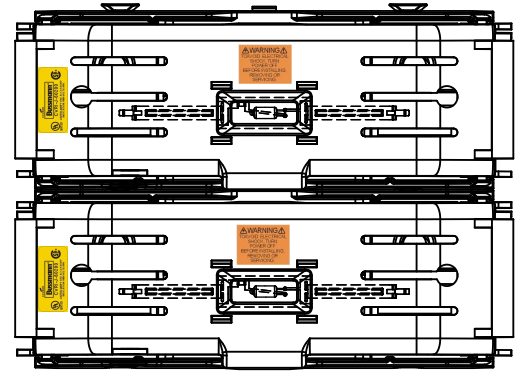
**JM60200-2CR**



**JM60200-2CR  
WITH CVR-J-60200 INSTALLED**



**JM60200-2CR  
WITH CVRI-J-60200 INSTALLED**

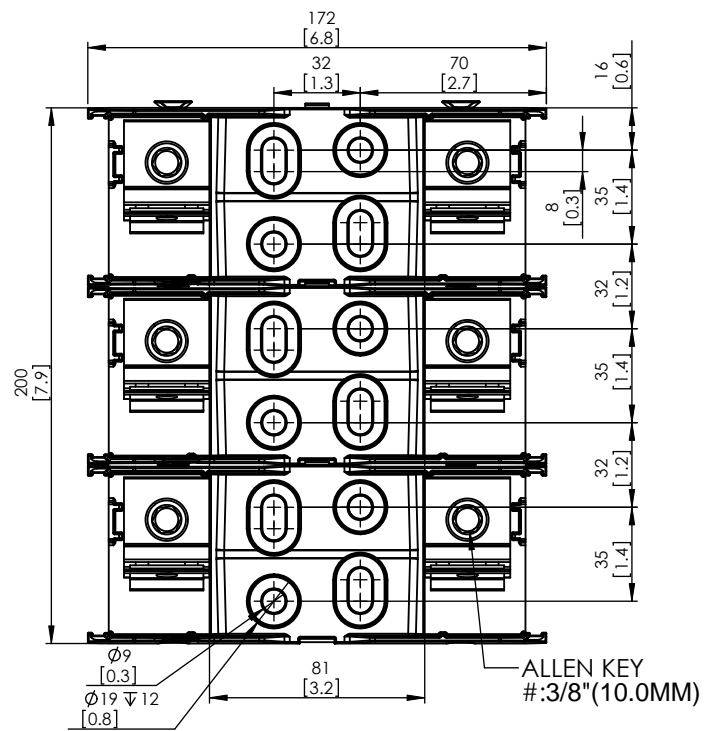


DESIGN UNITS: METRIC (mm)  
UNLESS OTHERWISE SPECIFIED [INCHES]

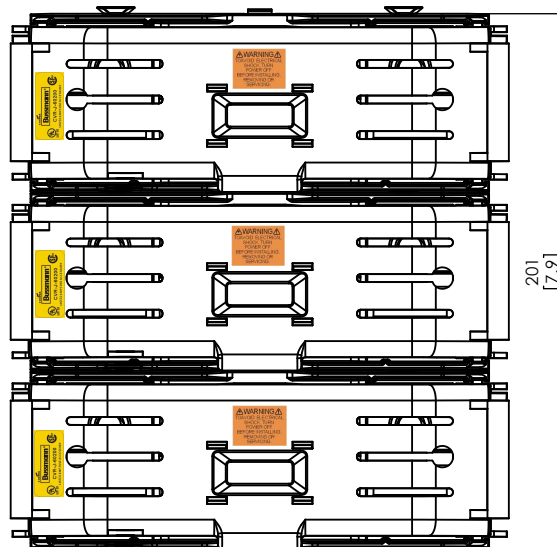


THIRD ANGLE PROJECTION

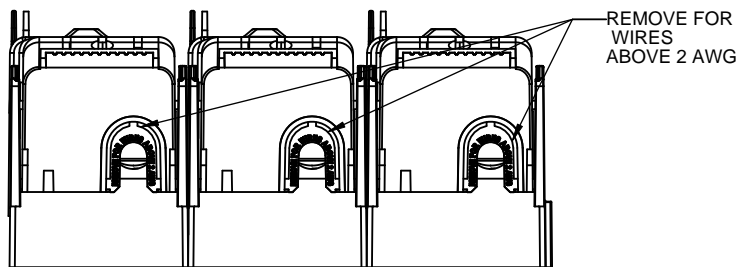
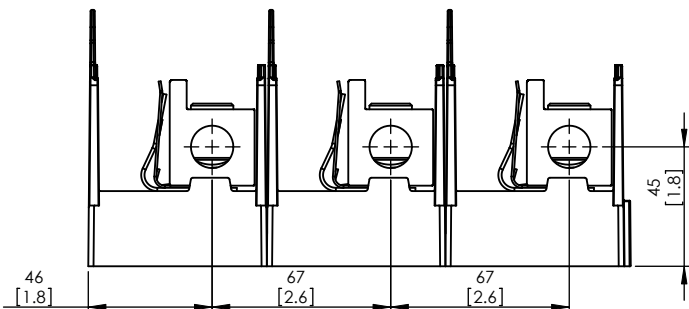
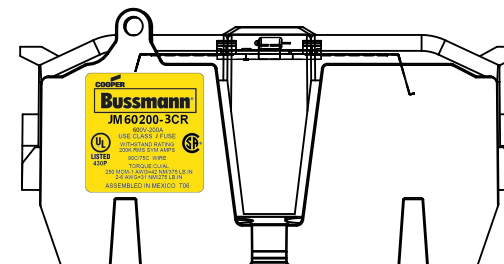
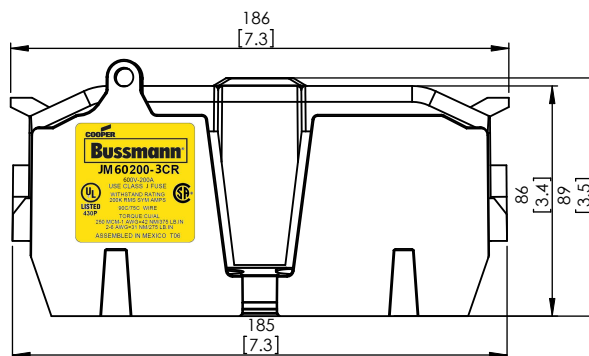
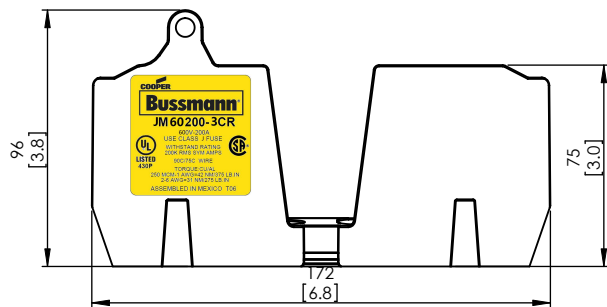
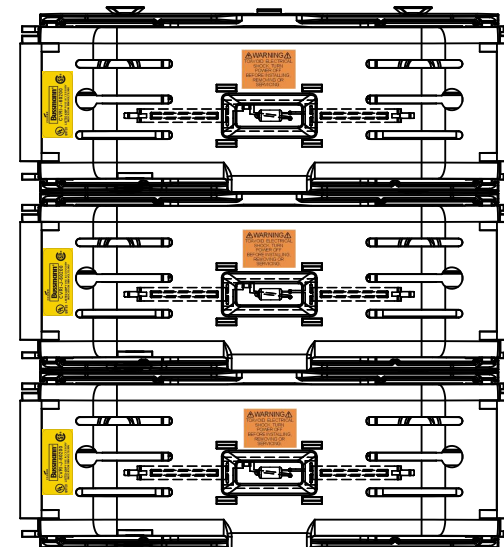
**JM60200-3CR**



**JM60200-3CR  
WITH CVR-J-60200 INSTALLED**



**JM60200-3CR  
WITH CVRI-J-60200 INSTALLED**



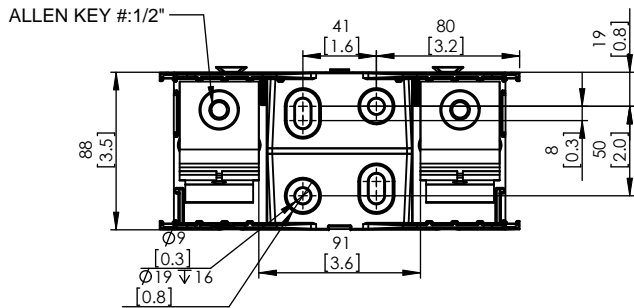
**COOPER Bussmann**  
St. Louis MO 63178

**Class J fuse holder-CUST**

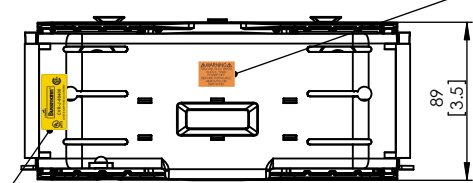
TITLE:  
SCALE: 1:2 SIZE: A3 SHEET: 8 OF 14



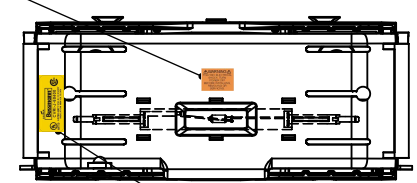
**JM60400-1CR**



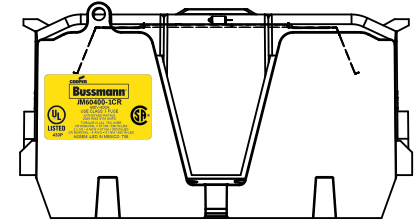
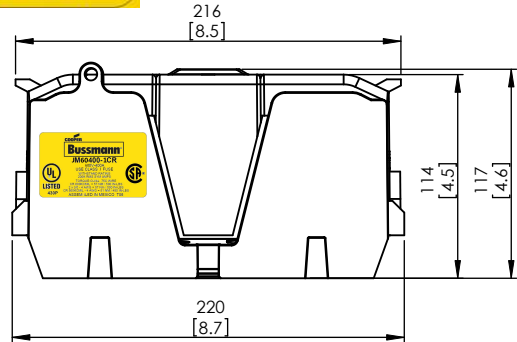
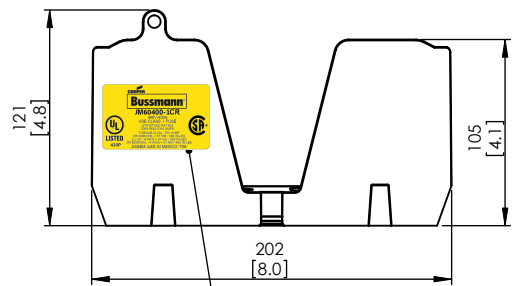
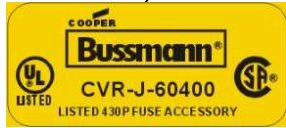
**JM60400-1CR WITH CVR-J-60400 INSTALLED**



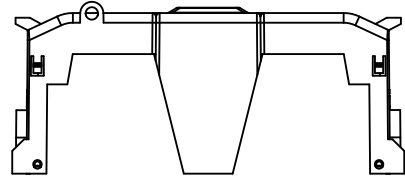
**JM60400-1CR WITH CVRI-J-60400 INSTALLED**



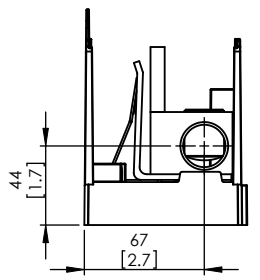
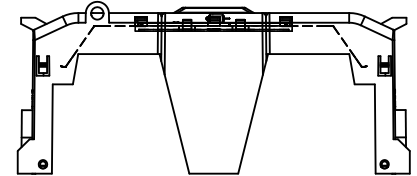
**WARNING**  
TO AVOID ELECTRICAL SHOCK, TURN POWER OFF BEFORE INSTALLING, REMOVING OR SERVICING.



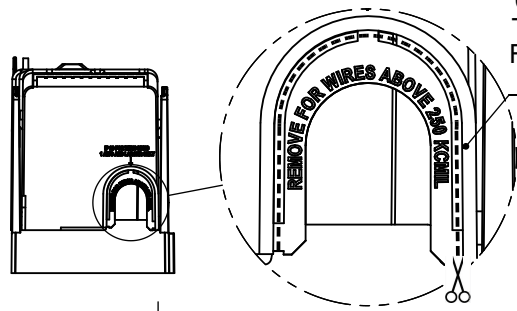
**CVR-J-60400**



**CVRI-J-60400**



CUT OPEN ALONG THIS DOTTED LINE FOR WIRES ABOVE 250 KCMIL



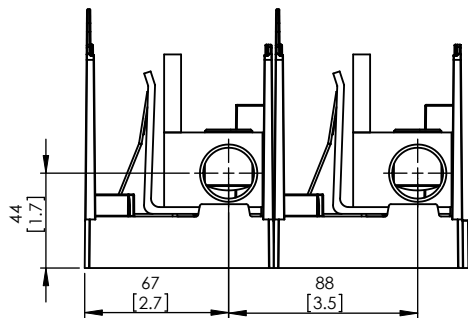
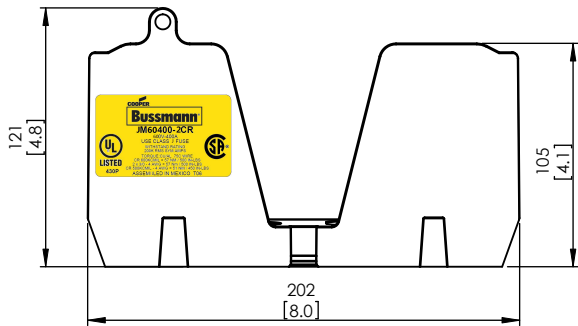
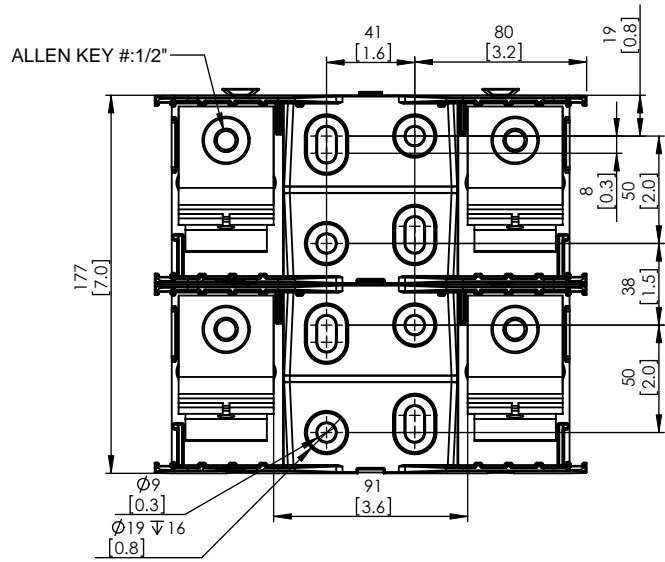
COOPER Bussmann St. Louis MO 63178

TITLE: **Class J fuse holder-CUST**

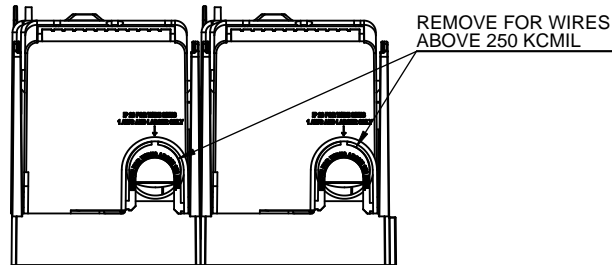
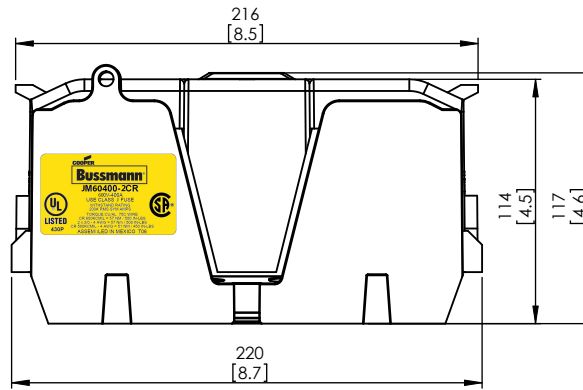
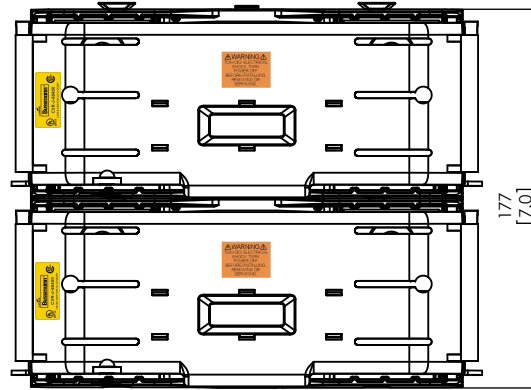
SCALE: 1:5 SIZE: A3 SHEET: 9 OF 14



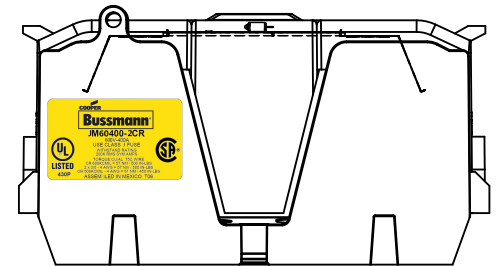
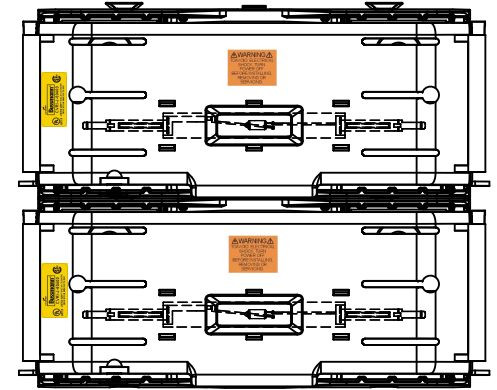
**JM60400-2CR**



**JM60400-2CR  
WITH CVR-J-60400 INSTALLED**



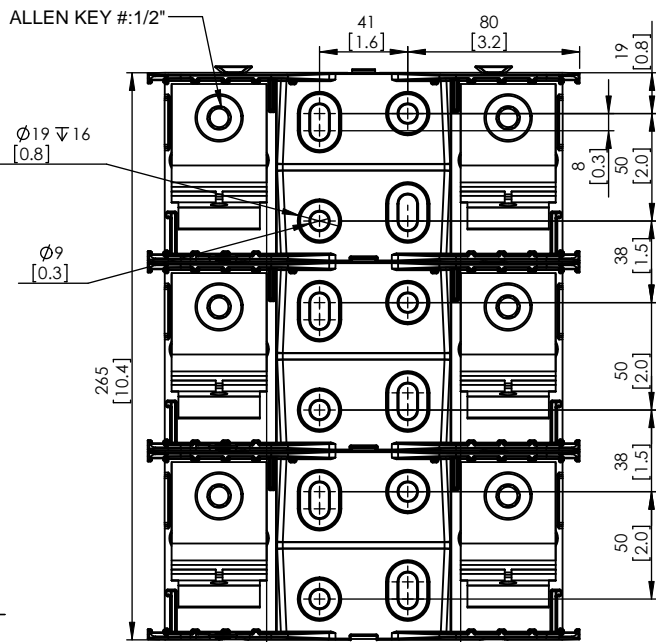
**JM60400-2CR  
WITH CVRI-J-60400 INSTALLED**



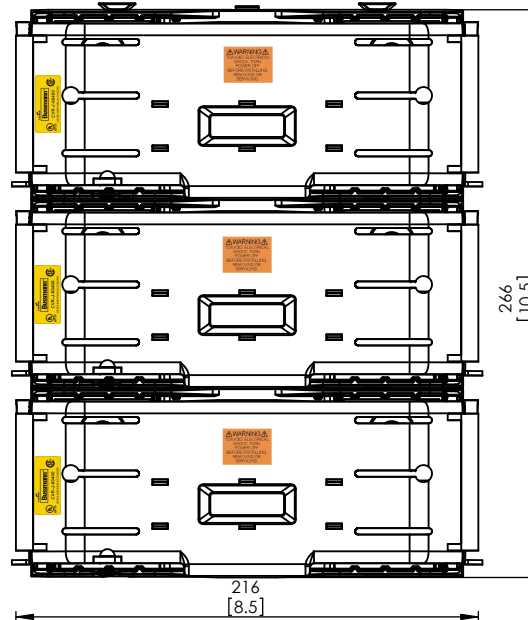
DESIGN UNITS: METRIC (mm)  
UNLESS OTHERWISE SPECIFIED  
[INCHES]



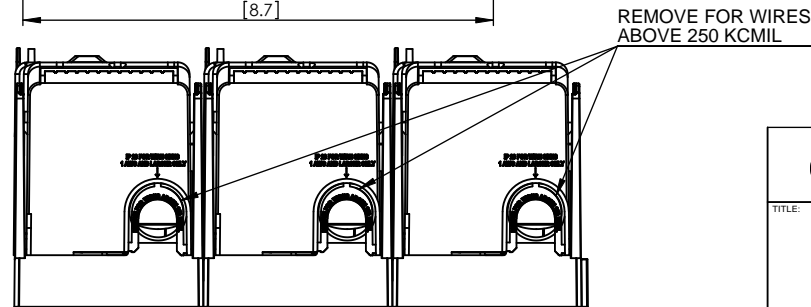
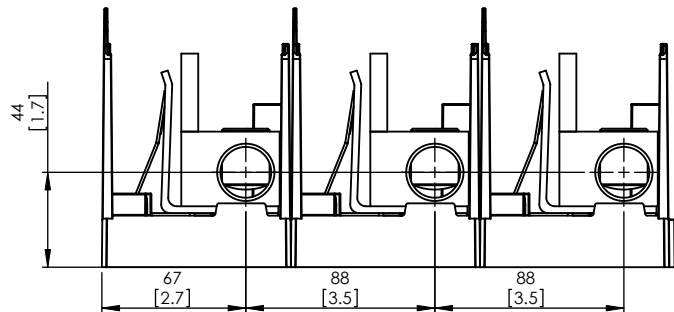
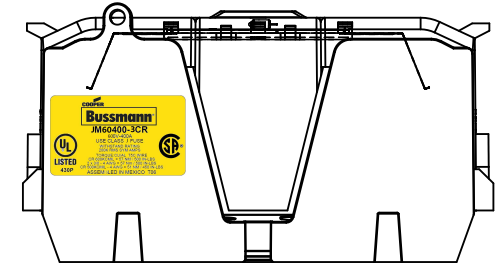
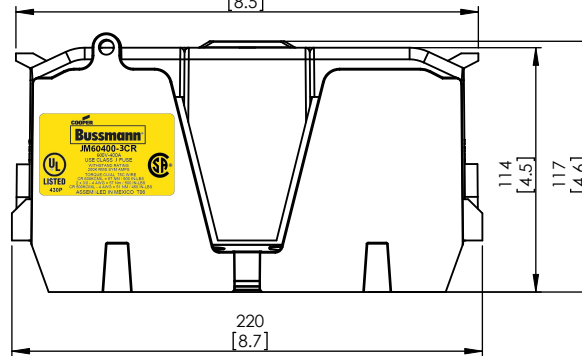
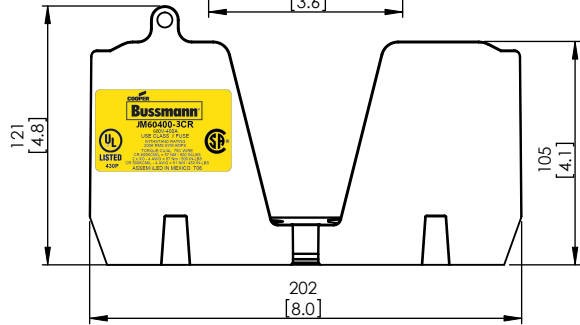
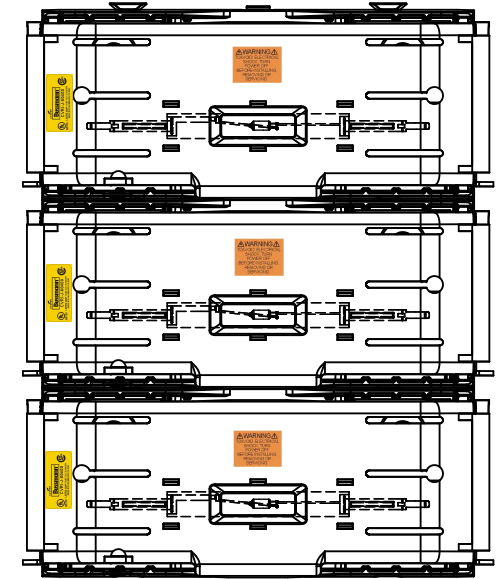
**JM60400-3CR**



**JM60400-3CR  
WITH CVR-J-60400 INSTALLED**



**JM60400-3CR  
WITH CVRI-J-60400 INSTALLED**

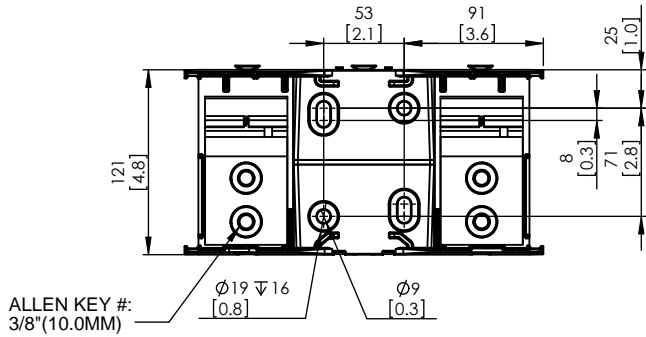


**COOPER Bussmann**  
St. Louis MO 63178

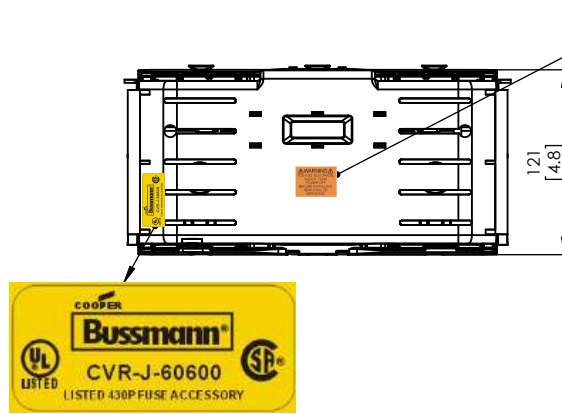
TITLE:  
**Class J fuse holder-CUST**

SCALE: 1:5 SIZE: A3 SHEET: 11 OF 14

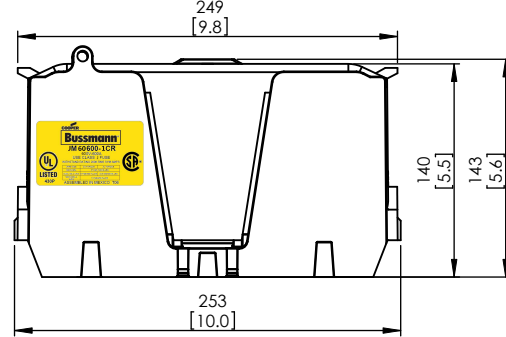
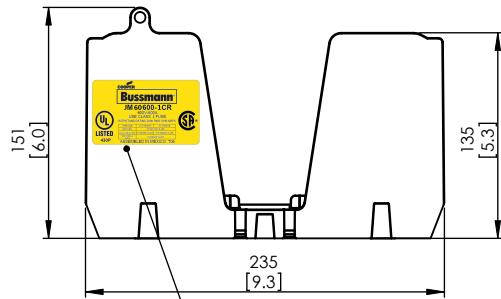
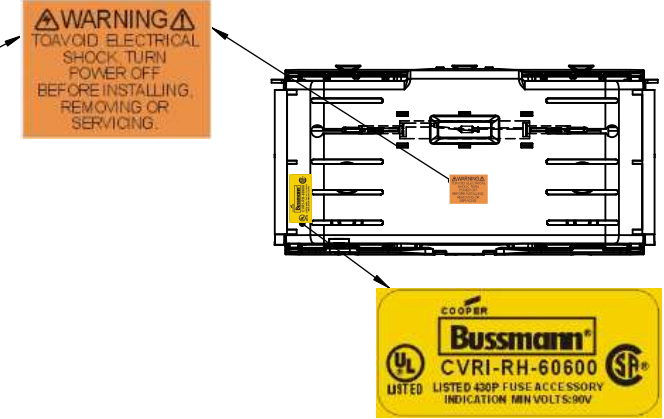
### JM60600-1CR



### JM60600-1CR WITH CVR-J-60600 INSTALLED

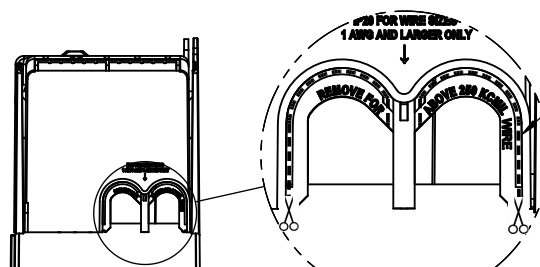
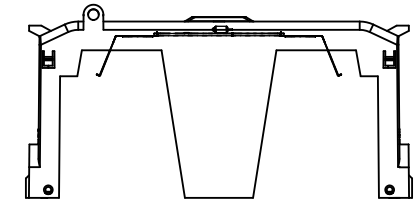
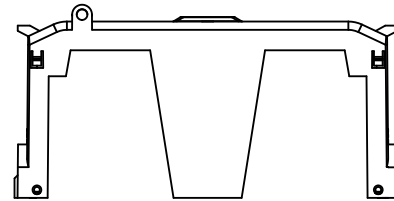
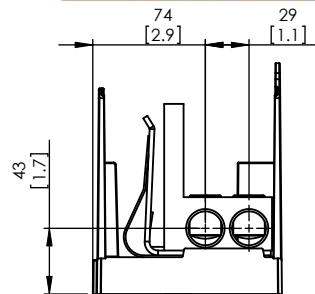


### JM60600-1CR WITH CVRI-J-60600 INSTALLED



CVR-J-60600

CVRI-J-60600



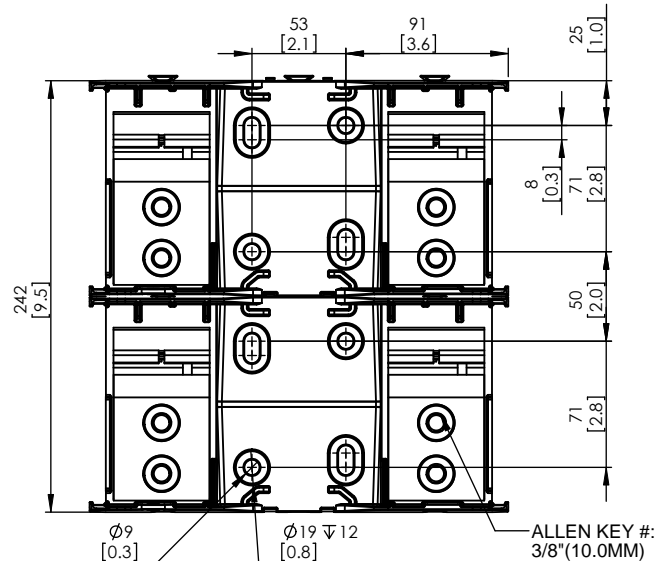
CUT OPEN ALONG THIS DOTTED LINE FOR WIRES ABOVE 250 KCMIL

**COOPER Bussmann**  
 St. Louis MO 63178

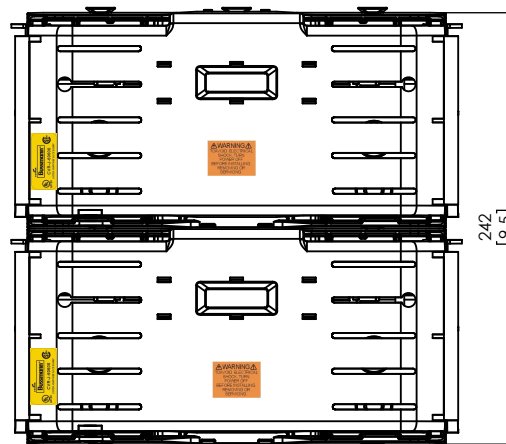
## Class J fuse holder-CUST

SCALE: 1:5 SIZE: A3 SHEET: 12 OF 14

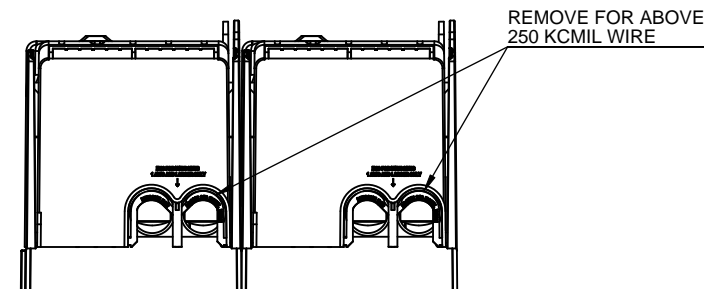
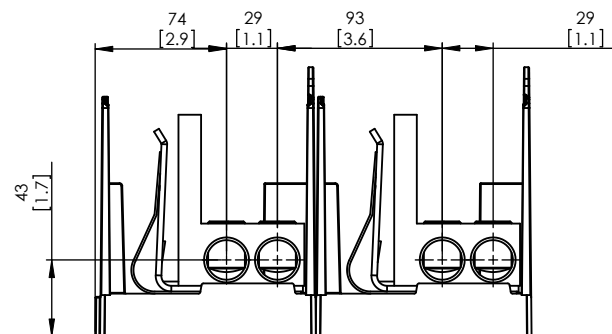
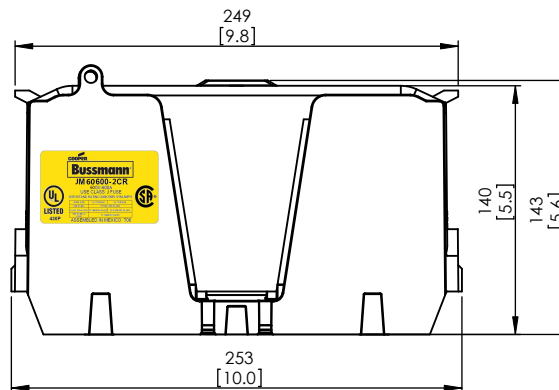
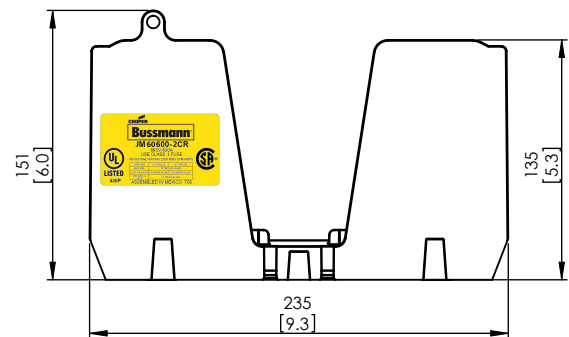
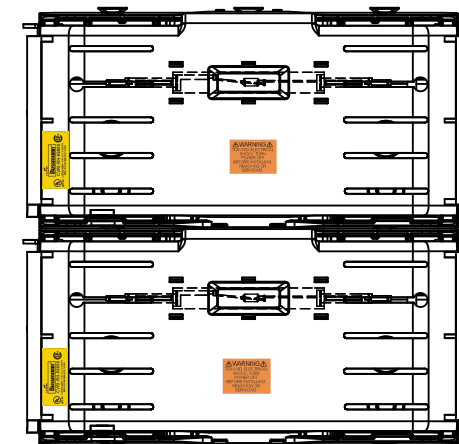
**JM60600-2CR**



**JM60600-2CR  
WITH CVR-J-60600 INSTALLED**



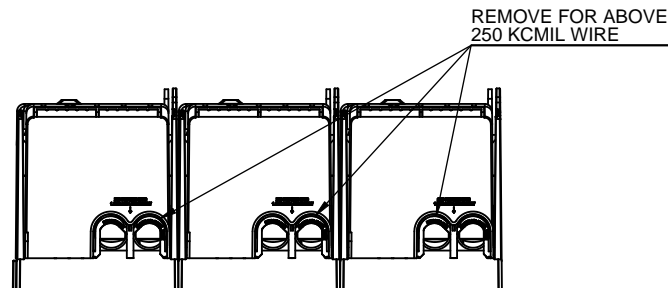
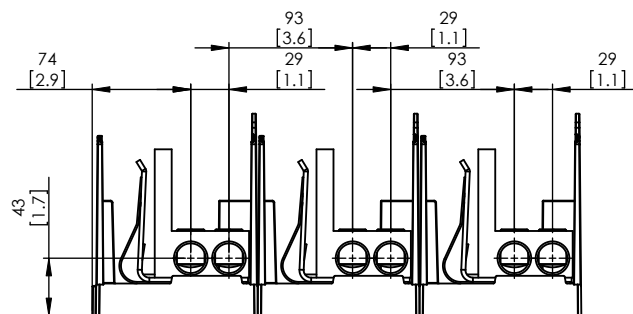
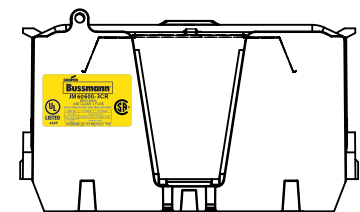
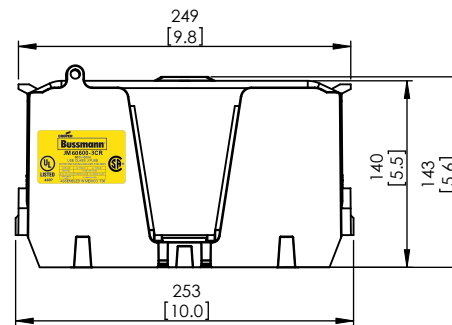
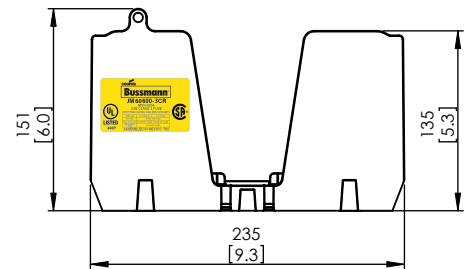
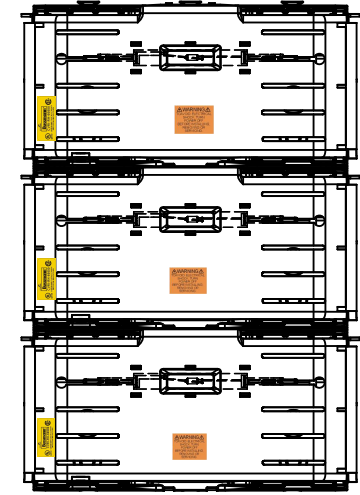
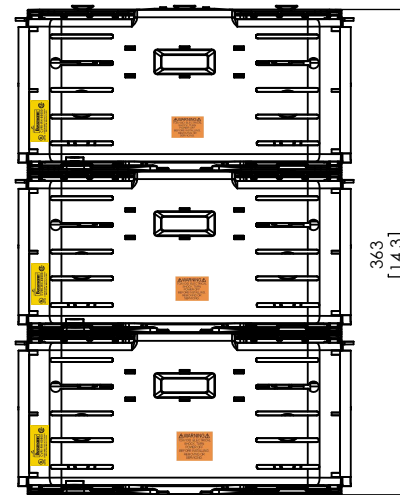
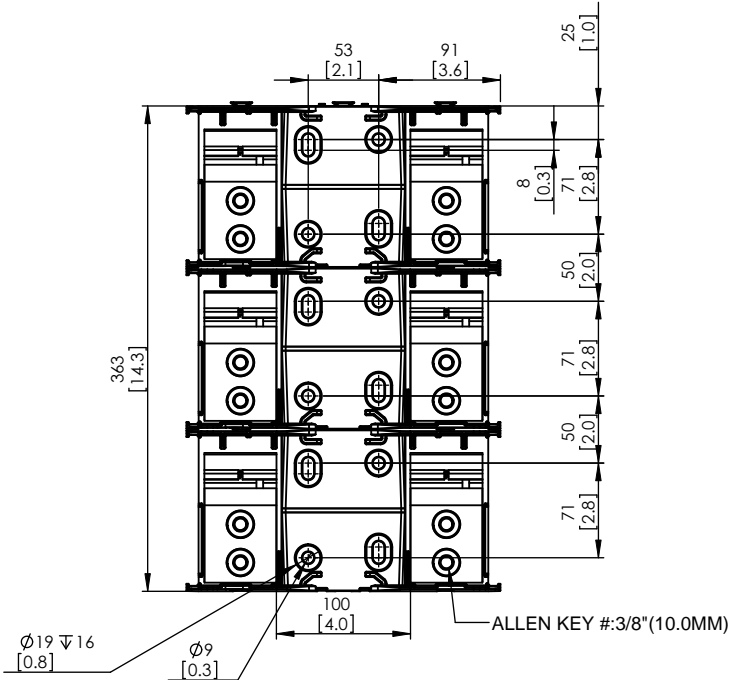
**JM60600-2CR  
WITH CVRI-J-60600 INSTALLED**



**JM60600-3CR**

**JM60600-3CR  
WITH CVR-J-60600 INSTALLED**

**JM60600-3CR  
WITH CVRI-J-60600 INSTALLED**



**COOPER Bussmann**  
St. Louis MO 63178

TITLE:  
**Class J fuse holder-CUST**

SCALE: 1:5 SIZE: A3 SHEET: 14 OF 14