

# CM3440Z171B-10

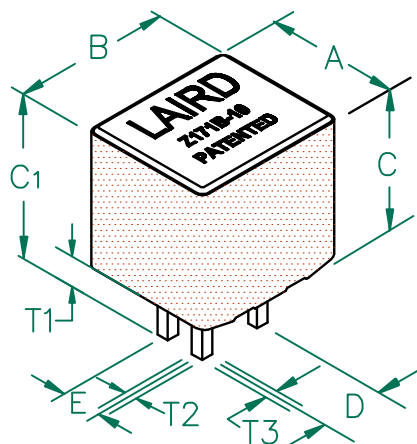


## PHYSICAL DIMENSIONS:

A	8.51 [.335]	+ 0.13 [.005]
B	10.03 [.395]	+ 0.15 [.006]
C	9.32 [.367]	+ 0.15 [.006]
C1	12.90 [.508]	MAX.
D	4.06 [.160]	+ 0.13 [.005]
E	2.54 [.100]	+ 0.13 [.005]

## WIRE:

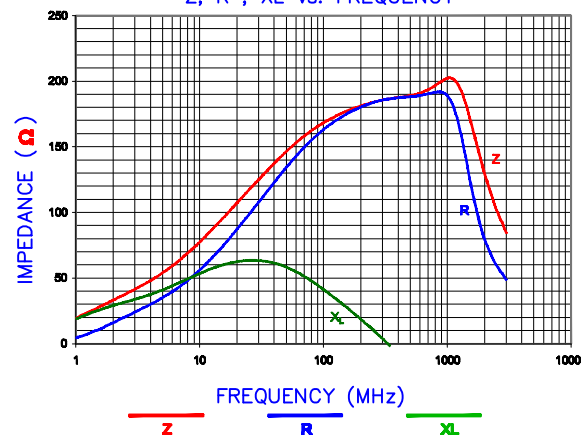
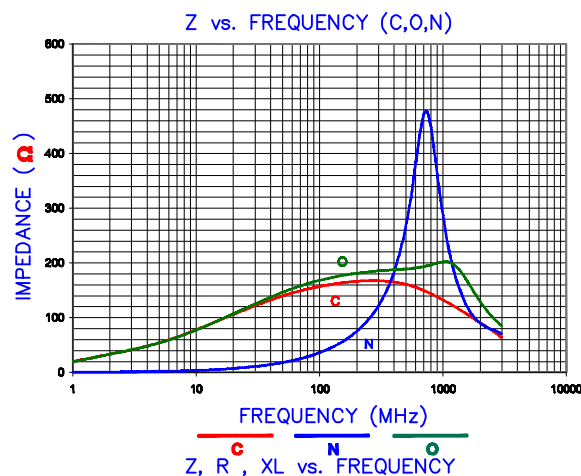
T <sub>1</sub>	3.12 [.123]	+ 0.25 [.010]
T <sub>2</sub>	0.76 [.030]	TYP.
T <sub>3</sub>	0.76 [.030]	TYP.



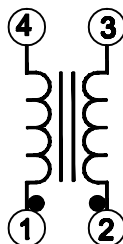
ELECTRICAL CHARACTERISTICS:			
Z @ 100MHz (Ω)	DCR (Ω)	Rated Current	Rated Voltage (VDC)
Nominal	170		
Minimum	128		
Maximum	-	0.001	20,000 mA
			200

NOTES: UNLESS OTHERWISE SPECIFIED

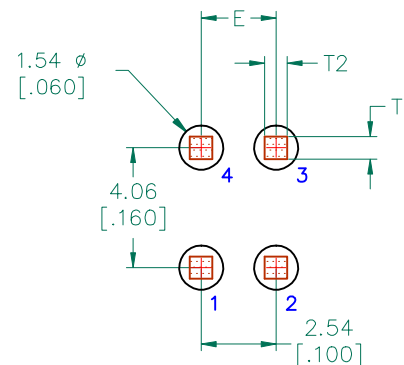
1. BULK PACKAGED 910 PC PER CASE.
2. COMPONENTS SHOULD BE ADEQUATELY PREHEATED BEFORE SOLDERING.
3. TERMINATION FINISH IS 100% TIN.
4. THIS PART HAS NO PIN POLARITY.
6. OPERATION TEMPERATURE (INCLUDING SELF-HEATING):  
-40 ~ +125°C.



## EQUIVALENT CIRCUIT



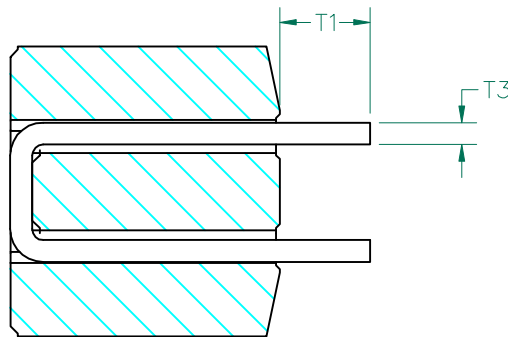
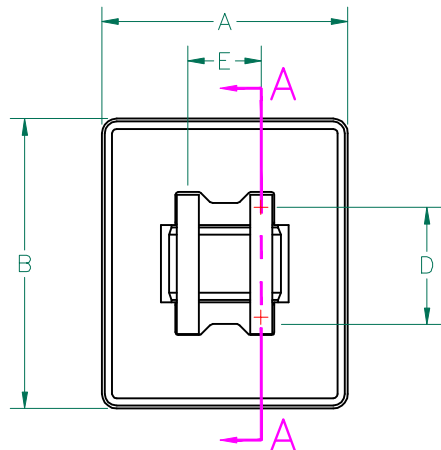
## HOLE PATTERNS FOR WAVE SOLDERING



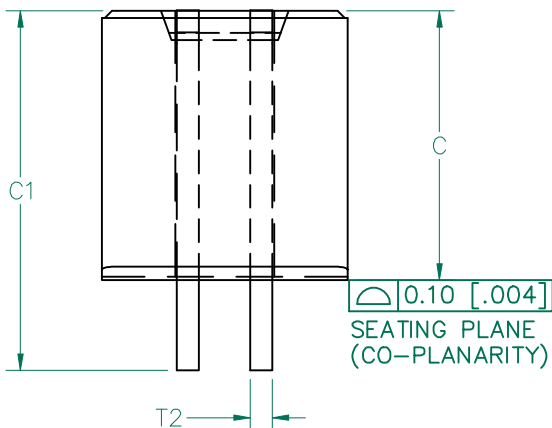
**UNCONTROLLED DOCUMENT**

DIMENSIONS ARE IN mm (INCHES).			This print is the property of Laird Tech. and is loaned in confidence subject to return upon request and with the understanding that no copies shall be made without the written consent of Laird Tech. All rights to design or invention are reserved.		
E	ADD RATED VOLTAGE AND NOTE 6	08/30/12	QIU		
D	CORRECT CALLOUT ON KAPTON LABEL	11/11/08	JRK		
C	UPDATE COMPANY LOGO CHG KAPTON LABEL ADD EQUIVALENT CIRCUIT	10/27/08	JRK	PROJECT/PART NUMBER:	REV PART TYPE: DRAWN BY:
B	CHG ISO VIEW UPDATE COMPANY LOGO UPDATE ROHS SYMBOL	06/15/07	JRK	CM3440Z171B-10	E ASSEMBLY JRK
A	ORIGINAL DRAFT	5/27/04	JRK	DATE: 5/27/04	SCALE: NTS SHEET:
REV	DESCRIPTION	DATE	INT	CAD #	TOOL #
				CM3440Z171B-10-E-2	H0335

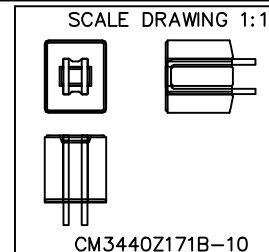




SECTION A-A



**LAIRD**  
Z171B-10  
**PATENTED**



**ELECTRICAL TESTING**

	GROSS	GROSS
TEST:	Z	Z
# TURNS	1	1
AWG	22	22
FREQUENCY	25 MHz	100 MHz
NOMINAL	- Ω	170 Ω
MINIMUM	- Ω	128 Ω

WEIGHT/1000 3.51 kgs 7.73 lbs.



NOTES: UNLESS OTHERWISE SPECIFIED

1. WIRE: REFERENCE STEWARD WIRE PURCHASE SPEC. W0040-61.
2. IMPEDANCE VALUES ARE GROSS, MEASURED USING W0040-61 WIRE PLACED AGAINST END OF SLOT w/ NO D.C. BIAS.
3. REFERENCE STEWARD CORE 24H0335-600.
4. TERMINATION FINISH IS 100% TIN.
5. THIS PART HAS NO PIN POLARITY.

**DIMENSIONS:**

A	8.51 [.335]	+	0.13 [.005]
B	10.03 [.395]	+	0.15 [.006]
C	9.32 [.367]	+	0.15 [.006]
C1	12.90 [.508]		MAX.
D	4.06 [.160]	+	0.13 [.005]
E	2.54 [.100]	+	0.13 [.005]

**WIRE DIMENSIONS:**

T1	3.12 [.123]	+	0.25 [.010]
T2	0.76 [.030]		TYP.
T3	0.76 [.030]		TYP.

**UNCONTROLLED DOCUMENT**

DIMENSIONS ARE IN mm (INCHES).				This print is the property of Laird Tech. and is loaned in confidence subject to return upon request and with the understanding that no copies shall be made without the written consent of Laird Tech. All rights to design or invention are reserved.			
E	ADD RATED VOLTAGE AND NOTE 6	08/30/12	QIU				
D	CORRECT CALLOUT ON KAPTON LABEL	11/11/08	JRK				
C	UPDATE COMPANY LOGO CHG KAPTON LABEL ADD EQUIVALENT CIRCUIT	10/27/08	JRK				
B	CHG ISO VIEW UPDATE COMPANY LOGO UPDATE ROHS SYMBOL	06/15/07	JRK				
A	ORIGINAL DRAFT	5/27/04	JRK	PROJECT/PART NUMBER:	REV	PART TYPE:	DRAWN BY:
REV	DESCRIPTION	DATE	INT	CM3440Z171B-10	E	ASSEMBLY	JRK
				DATE:	SCALE:	SHEET:	
				5/27/04	NTS		
				CAD #	TOOL #		
				CM3440Z171B-10-D-3	H0335		3 of 3