

San Ace 175W

Splash Proof Centrifugal Fan

Splash Proof Centrifugal Fan 175mm

Features

Splash proof and dust resistant

- Protection class IP54* water and dust resistant performance.
- Maintains safe operation even in harsh environments.

Large air flow and high static pressure

- Maximum air flow : 9.0 m³/min
- Maximum static pressure : 360 Pa

Energy-saving design and Low noise

- Power consumption: 31.2 W
- Sound Pressure Level: 64dB(A)



※ "IP54" is a protection specification for protection against water sprays and dust.

It is based on IEC (International Electrotechnical Commission) and JIS (Japanese Industrial Standards) and specified as follows.

Ingress of dust is not entirely prevented, but it must not enter in sufficient quantity to interfere with the satisfactory operation of the equipment; complete protection against contact. Water splashing against the enclosure from any direction shall have no harmful effect.

φ175mm × 69mm

Specifications

When inlet nozzle[Option (Model : 109-1073)] is mounted.

Model No.	Rated Voltage [V]	Operating Voltage Range [V]	PWM Duty Cycle* [%]	Rated Current [A]	Rated Input [W]	Rated Speed [min ⁻¹]	Air Flow [m ³ /min] [CFM]	Static Pressure [Pa] [inchH ₂ O]	SPL [dB(A)]	Operating Temperature [°C]	Life Expectancy [h]
9W1TG48P0H61	48	36 to 60	100	0.65	31.2	3,100	9.0 318	360 1.44	64	-10 to +70	40,000

Fan does not rotate when PWM duty cycle is 0%.
Max input is 60 W at rated voltage.

*PWM Frequency : 25kHz

Common Specifications

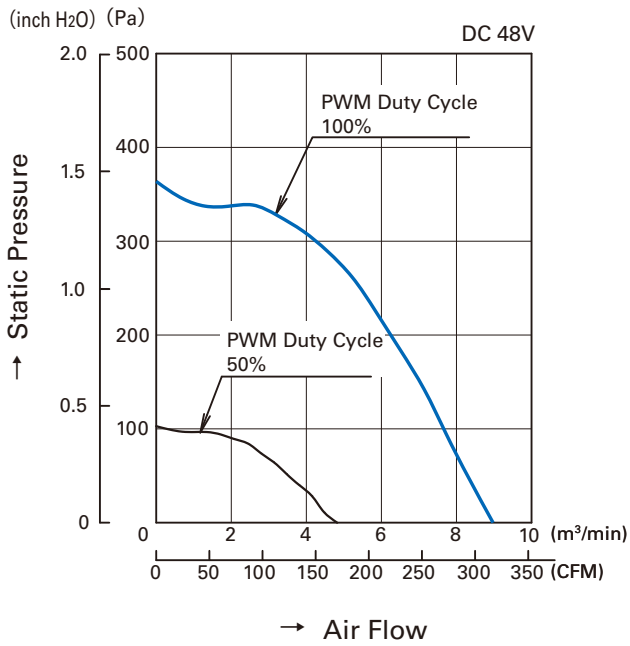
- Material Motor case: Aluminum (Black Painting) , Impeller: Plastics (Flammability: UL94V-1Min.)
- Life Expectancy Varies for each model
(L10: Survival rate: 90% at 60°C, rated voltage, and continuously run in a free air state)
- Motor Protection System Current blocking function and reverse polarity protection
- Dielectric Strength 50/60 Hz, 500VAC, 1 minute (between lead conductor and motor case)
- Sound Pressure Level (SPL) Expressed as the value at 1m from air inlet side
- Storage Temperature -30°C to +70°C (Non-Condensing)
- Lead Wire ⊕red ⊖black Sensor: yellow Control: brown
- Mass Approx. 760g

175mm

San Ace 175W

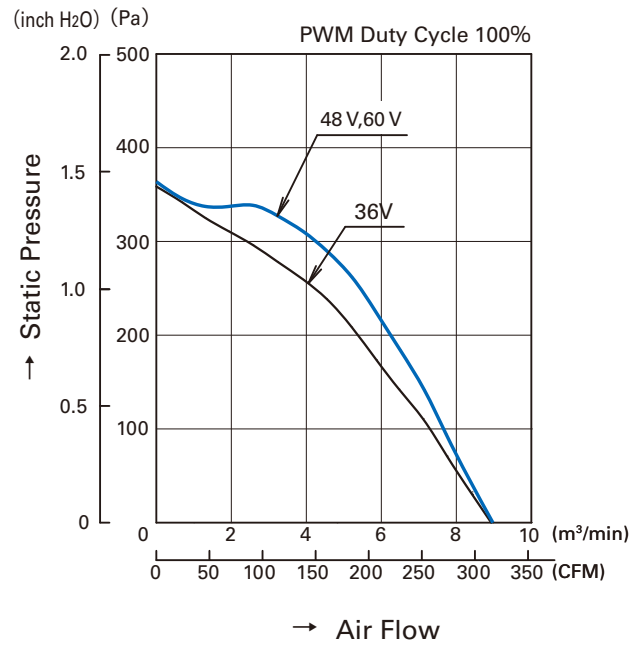
Air Flow - Static Pressure Characteristics

- PWM Duty Cycle



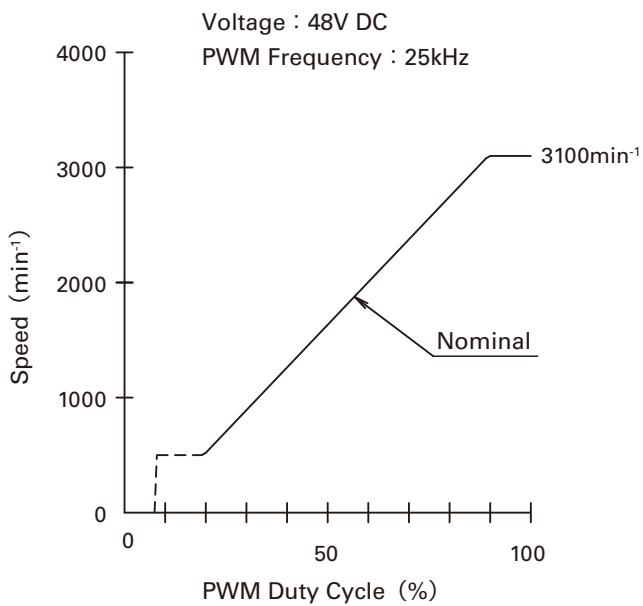
9W1TG48P0H61

- Operating Voltage Range



9W1TG48P0H61

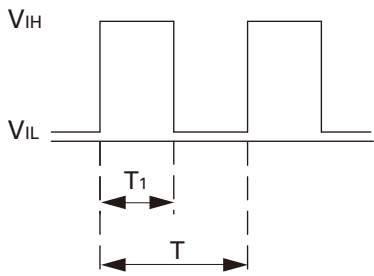
PWM Duty - Speed Characteristics Example



9W1TG48P0H61

PWM Input Signal Example

Input Signal Wave Form



$V_{IH}=4.75V$ to $5.25V$

$V_{IL}=0V$ to $0.4V$

PWM Duty Cycle (%) = $\frac{T_1}{T} \times 100$

PWM Frequency 25 (kHz) = $\frac{1}{T}$

Source Current : 2mA Max. at control voltage 0V

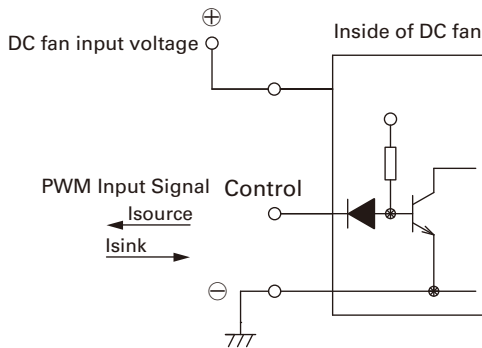
Sink Current : 1mA Max. at control voltage 5.25V

Control Terminal Voltage : 10V Max. (Open Circuit)

When the control lead wire is no connecting, the speed is the same speed as at 100% of PWM cycle.

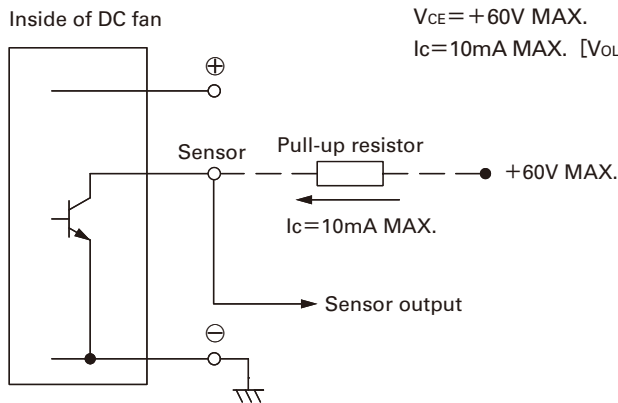
This fan speed should be controlled by PWM input signal of either TTL input or open collector, drain input.

Connection Schematic



Specifications for Pulse Sensors

Output circuit : Open collector



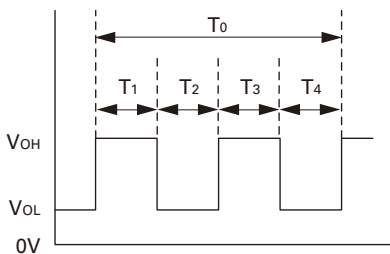
$V_{CE}=+60V$ MAX.

$I_c=10mA$ MAX. [$V_{OL}=V_{CE} (SAT)=0.4V$ MAX.]

Output waveform (Need pull-up resistor)

In case of steady running

(One revolution)



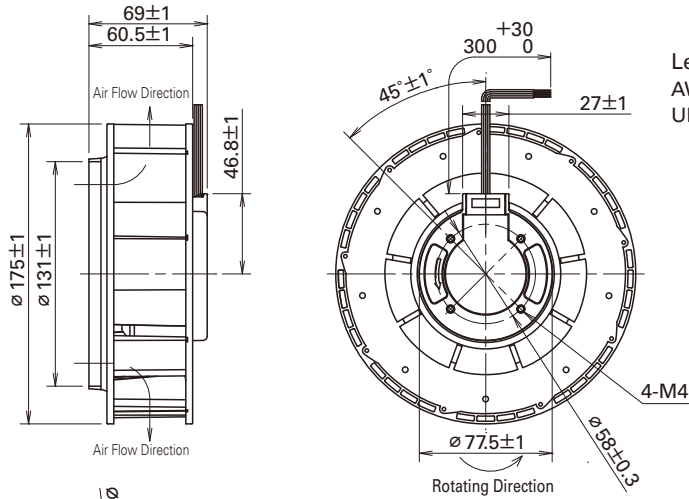
$T_{1\sim4} \doteq (1/4) T_0$

$T_{1\sim4} \doteq (1/4) T_0=60/4N$ (sec)

N = Fan speed (min^{-1})

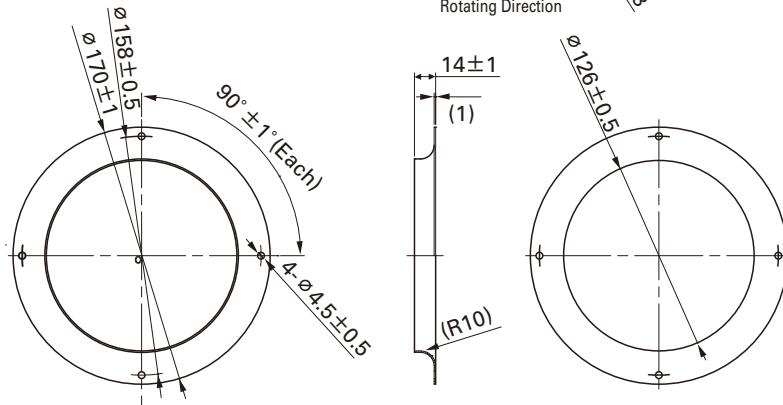
Dimensions (unit : mm)

Fan



Lead Wire
AWG24
UL1430

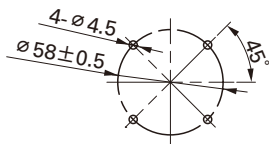
Inlet nozzle
(Model : 109-1073)



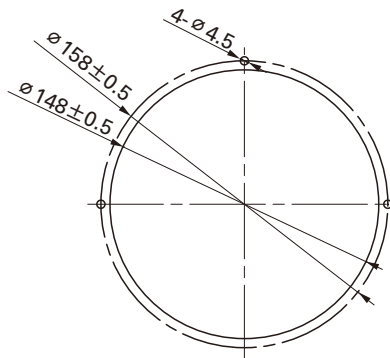
Inlet nozzle: Nozzle mounted in fan inlet side to adjust the flow of introduced air

Reference dimension of mounting holes and vent opening (unit : mm)

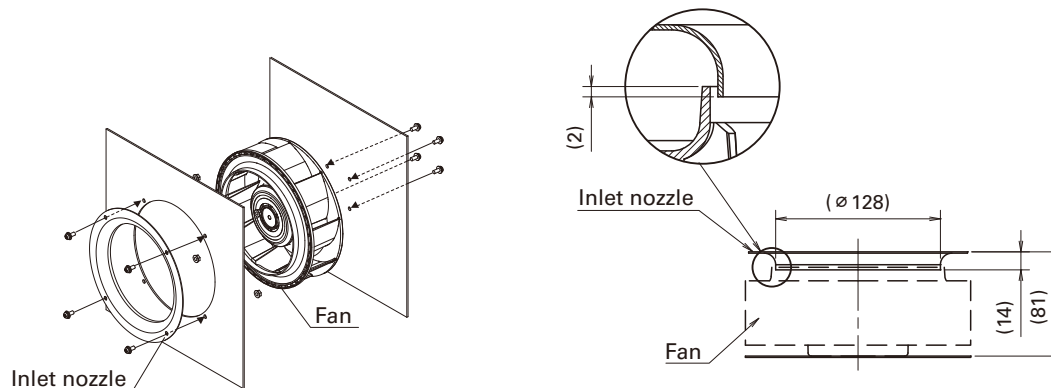
Fan side



Inlet nozzle side



Reference diagram for mounting



Screw length should be 4 mm or more but not exceeding 6 mm from fan edge face.
To prevent screw from loosening, use plain washer and spring washer.

Notice

- The products shown in the catalog are subject to Japanese Export Control Law. Diversion contrary to the law of exporting country is prohibited.
- To protect against electrolytic corrosion that may occur in locations with strong electromagnetic noise, we provide fans that are unaffected by electrolytic corrosion.

Mouser Electronics

Authorized Distributor

Click to View Pricing, Inventory, Delivery & Lifecycle Information:

[Sanyo Denki:](#)

[9W1TG48P0H61](#) [109-1073](#)