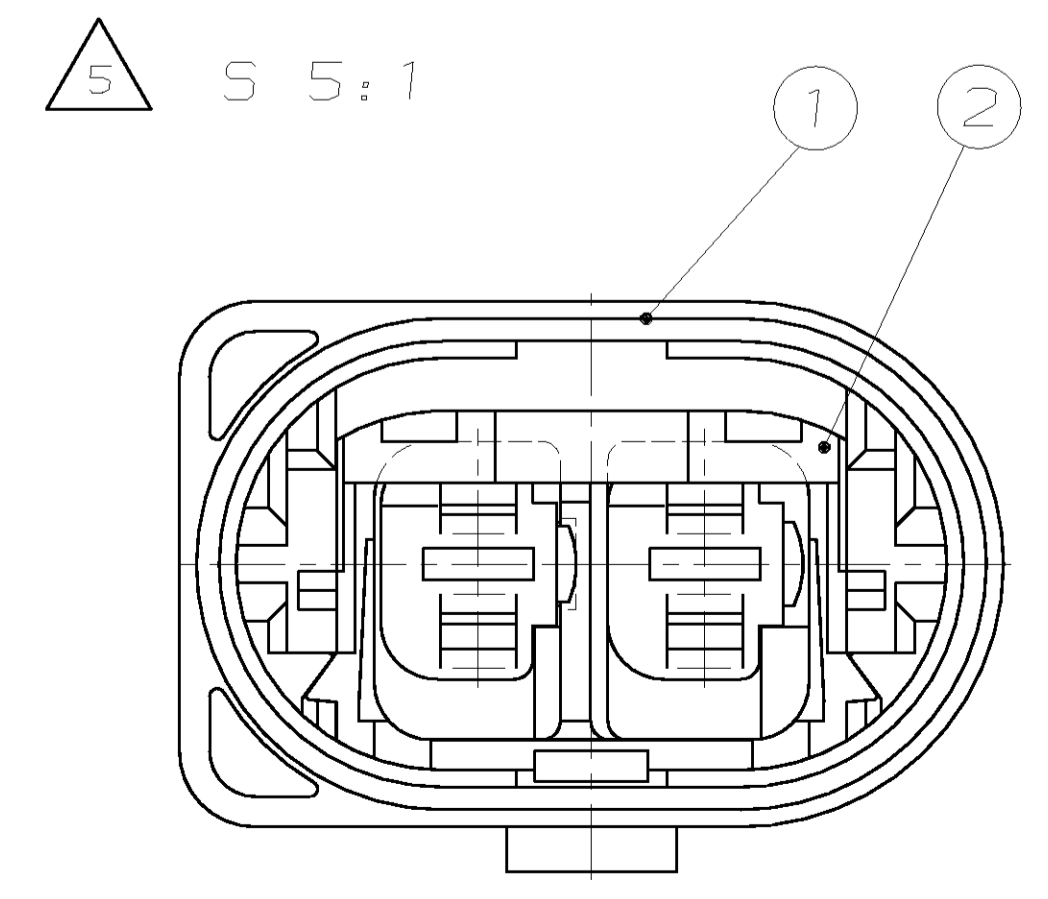
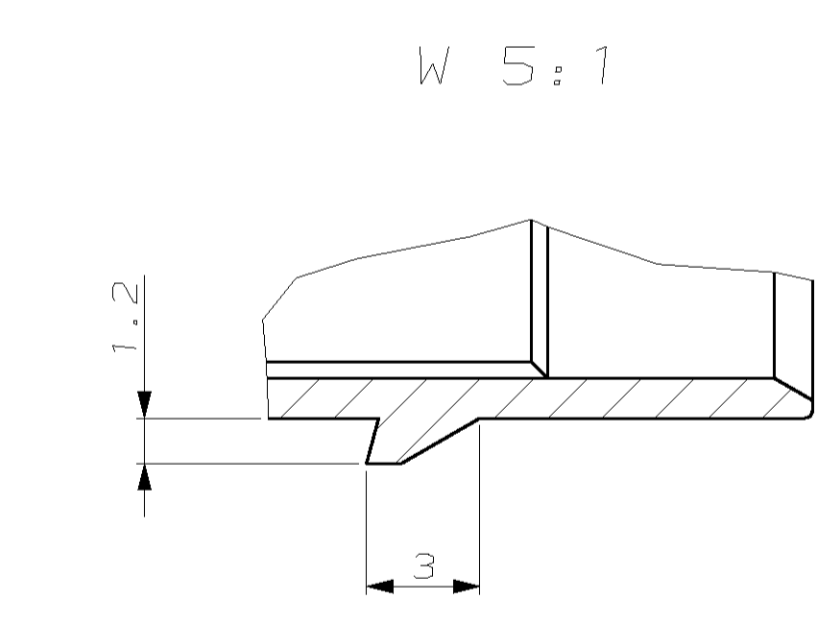
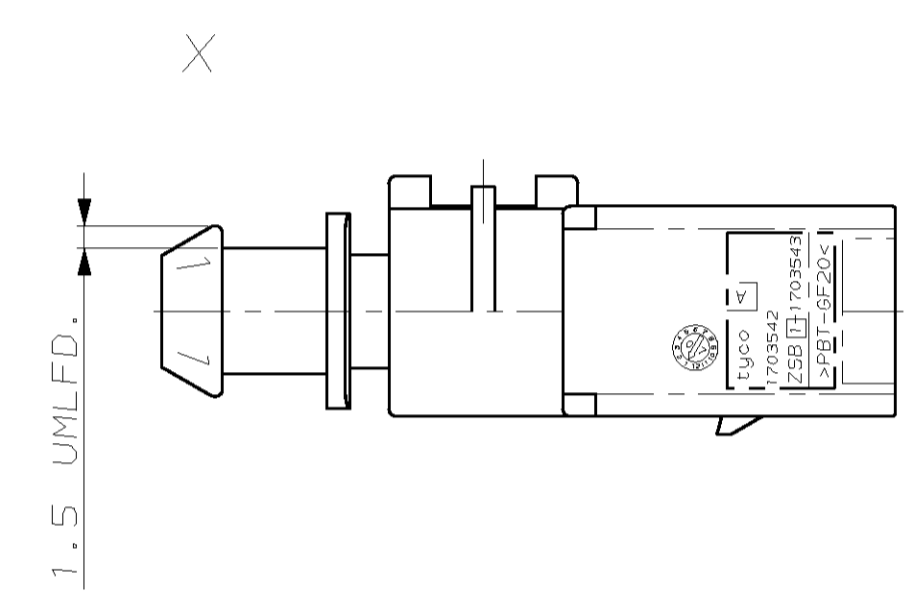
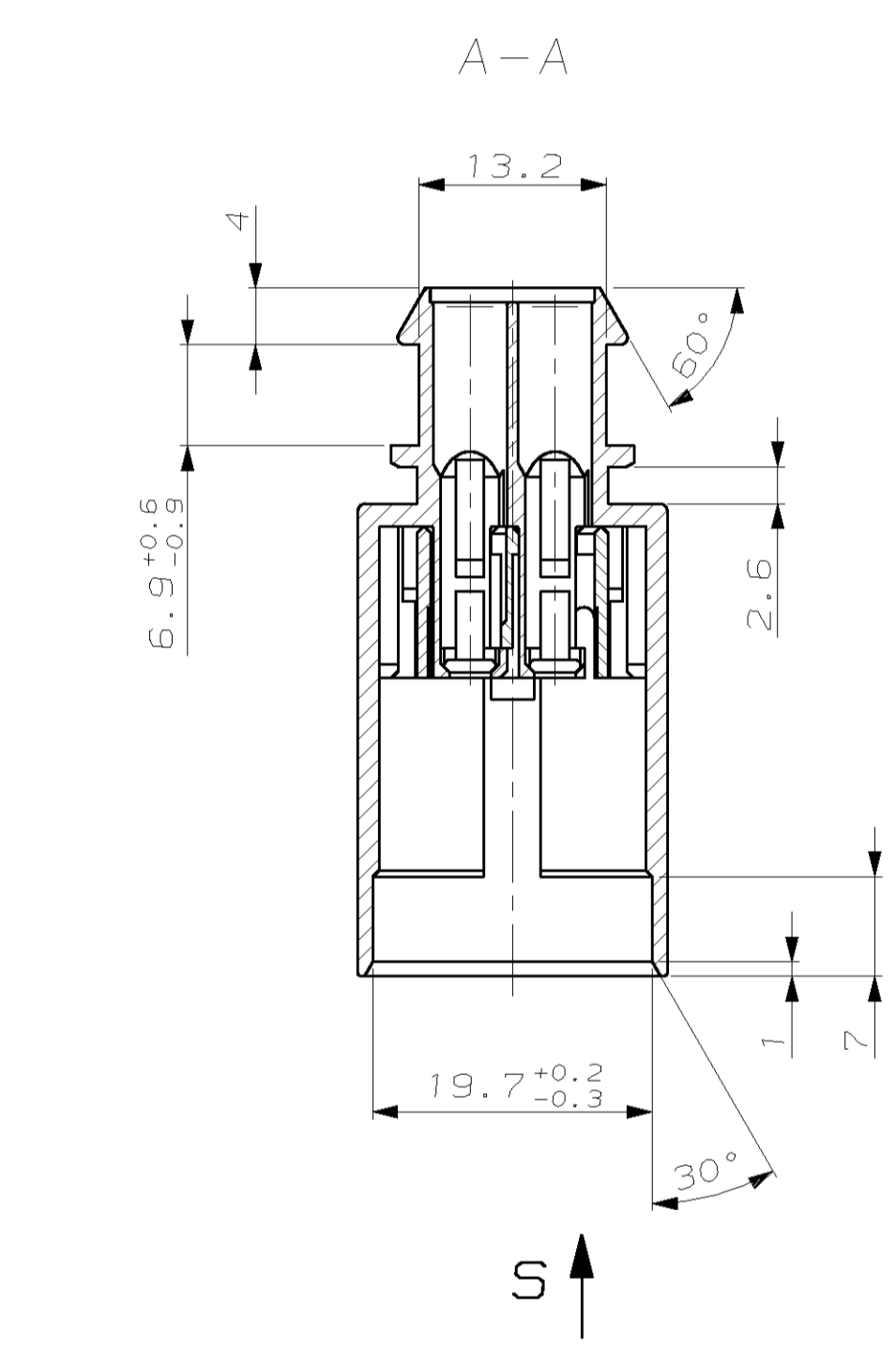
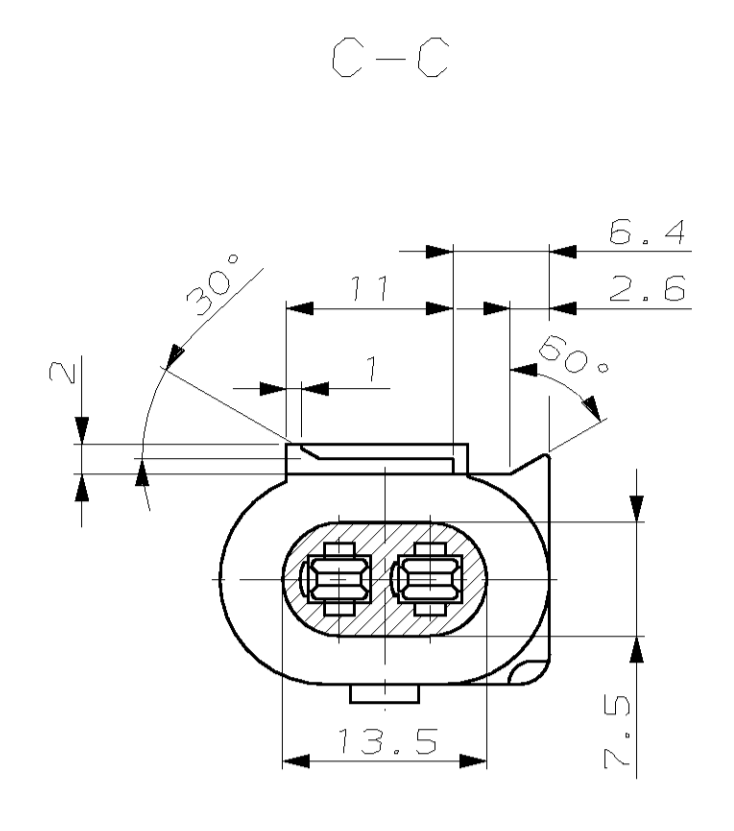
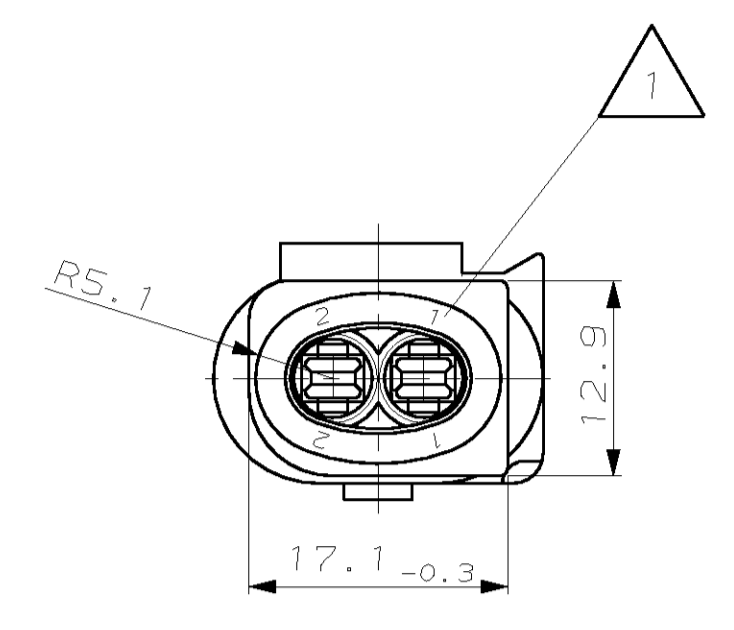
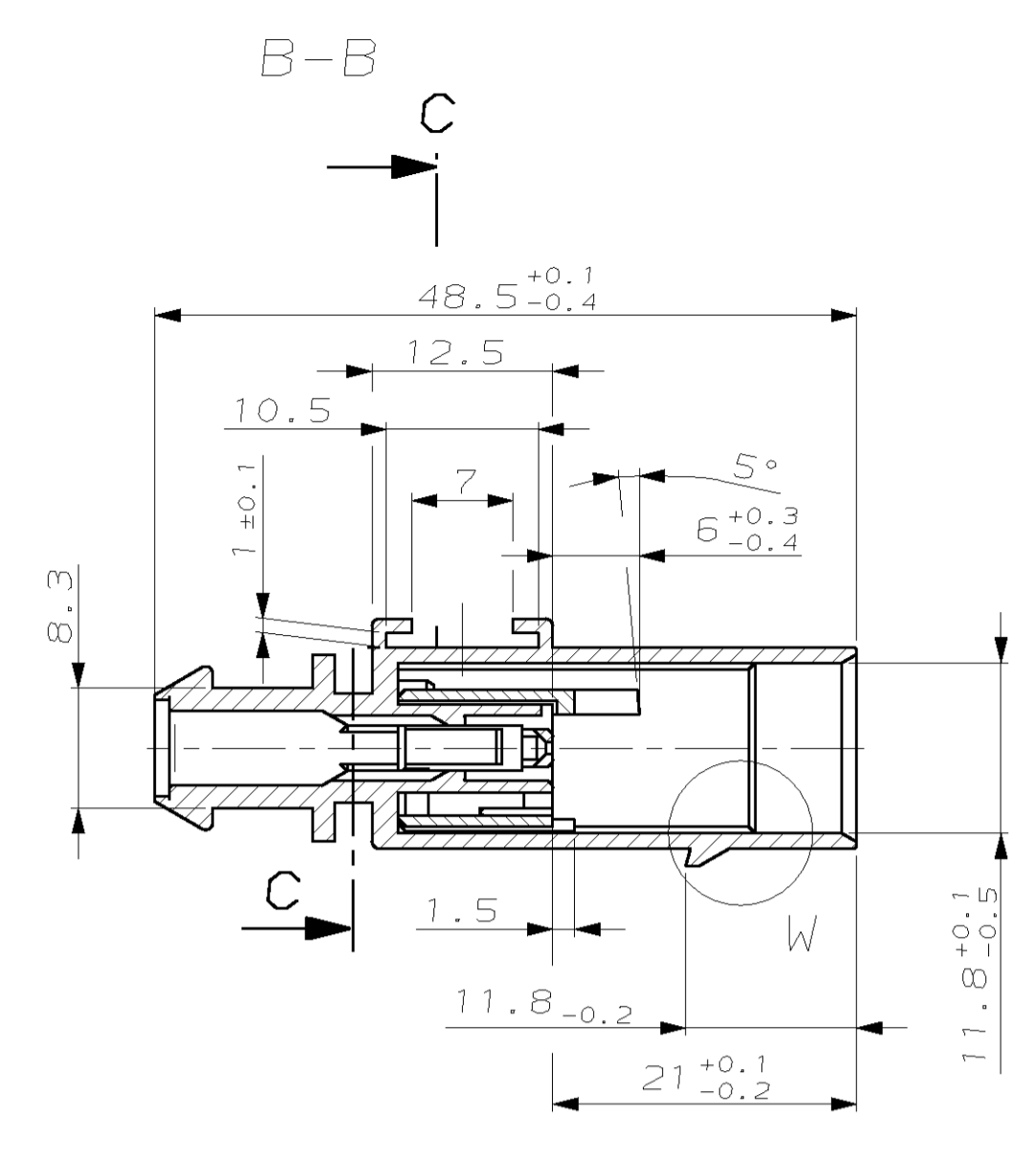
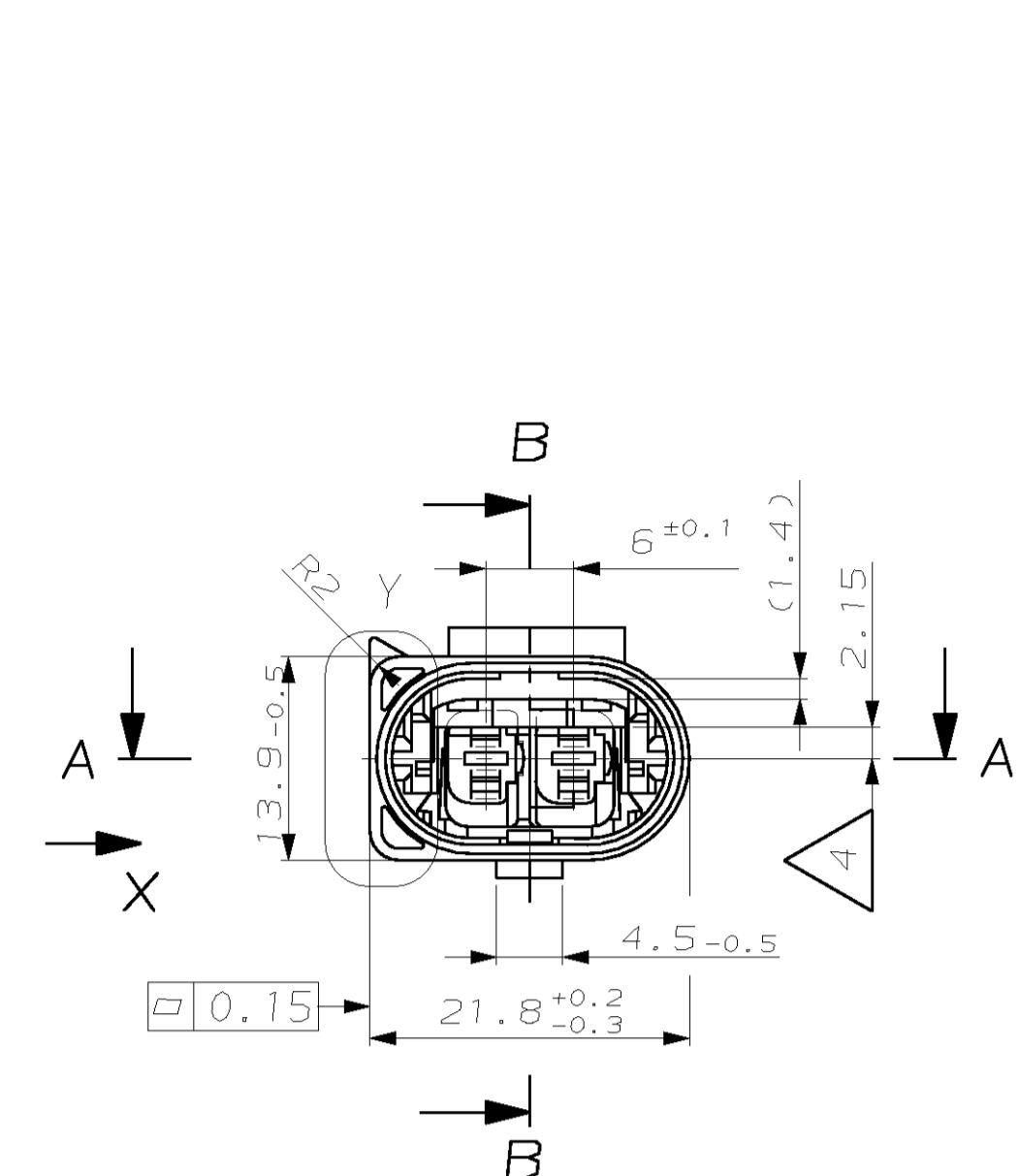


LOC	DIST	REV	DATE	APPD
AI	-	A	19-MAR-07	Ueck.
		A1	23-MAY-07	M. Zoyg Thiel



**BEMERKUNGEN**  
**NOTES**

1 KONTAKTKAMMERNUMMER  
 CONTACT CAVITY NUMBER

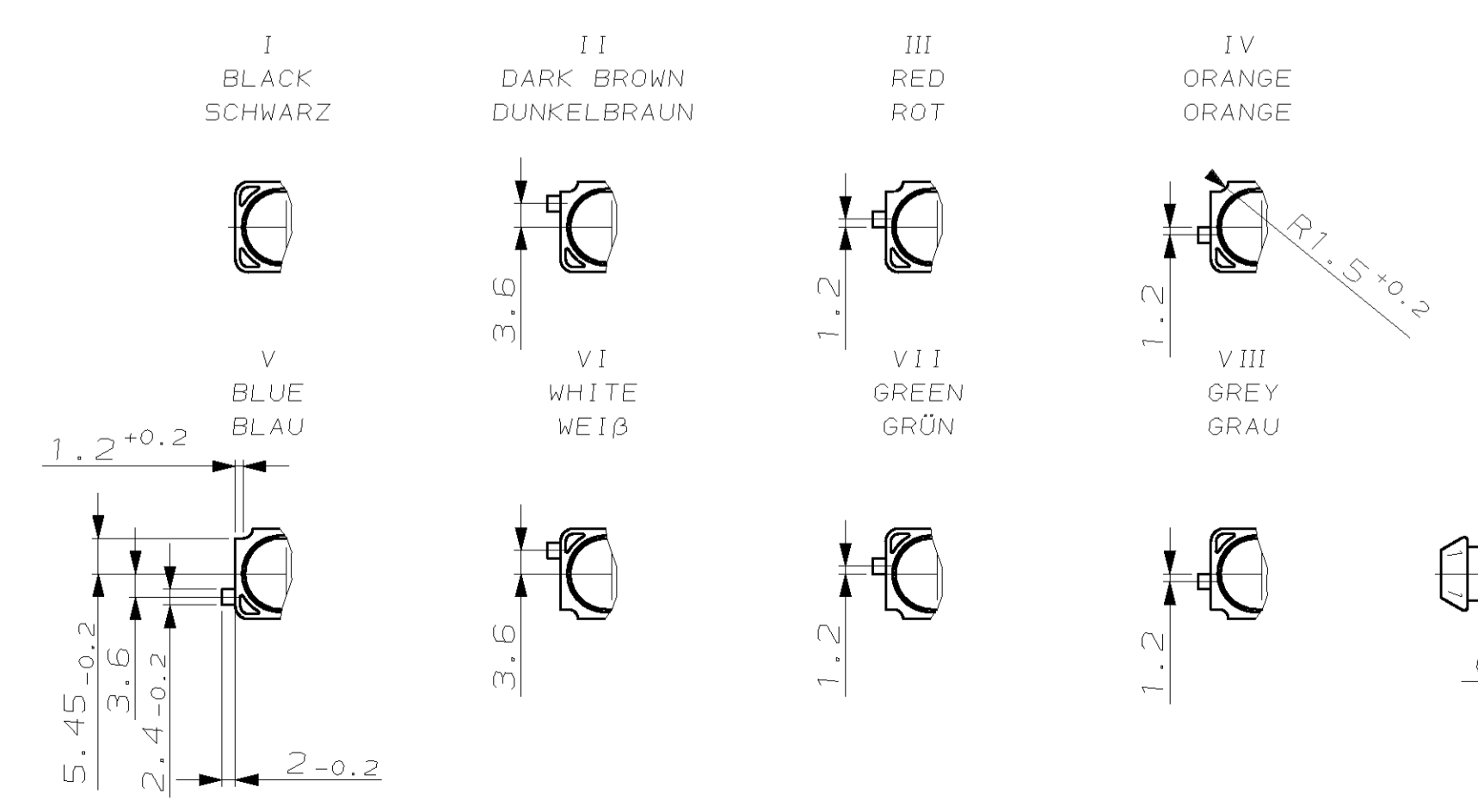
2 VERPACKT ALS SCHÜTTGUT  
 BULK PACKAGED

3 DAS TEIL 1703543 WIRD Z.B. MIT DEM KONTAKT 2-964300-1  
 UND EINER EINZELADERDICHTUNG 963294-1 BESTÜCKT AUF DIE  
 ENTSPRECHENDE SCHNITTSTELLE NACH 114-18131 GESTECKT  
 THE PART NO. 1703543 ASSEMBLED FOR EXAMPLE WITH  
 CONTACT 2-964300-1 AND A SEALING 963294-1 WILL HAVE  
 A SUITABLE MATING PART ACC. TO 114-18131

4 LIEFERZUSTAND GEZEICHNET; VERRIEGELUNG IN VORRATSTELLUNG,  
 NACH KONTAKTBESTUECKUNG IN DIESER RICHTUNG VERSCHIEBEN  
 MIT WERKZEUG 2-1355149-1  
 SHOWN AS SUPPLIED; RETAINER IN PRELOCKED POSITION,  
 AFTER CONTACT LOADING TO SHIFT IN THIS DIRECTION  
 WITH TOOL 2-1355149-1

5 GEHÄUSE OHNE EINSCHUB  
 HOUSING WITHOUT SNAP-IN ATTACHMENT

**Y 1:1 CODINGS  
 KODIERUNGEN**



COD	PART-NO	Tyco REV	ITEM NO	QTY	DESCRIPTION	MATERIAL	COLOR
VIII	2-1703543-8	A	2	1	RETAINER, ...	PBT-GF30	VIOLET
			1	1	2POS, TAB 2.8X0.8, TAB H5G...	PBT-GF20	GREY
VII	2-1703543-7	A	2	1	RETAINER, ...	PBT-GF30	VIOLET
			1	1	2POS, TAB 2.8X0.8, TAB H5G...	PBT-GF20	GREEN
VI	2-1703543-6	A	2	1	RETAINER, ...	PBT-GF30	VIOLET
			1	1	2POS, TAB 2.8X0.8, TAB H5G...	PBT-GF20	WHITE
V	2-1703543-5	A	2	1	RETAINER, ...	PBT-GF30	VIOLET
			1	1	2POS, TAB 2.8X0.8, TAB H5G...	PBT-GF20	BLUE
IV	2-1703543-4	A	2	1	RETAINER, ...	PBT-GF30	VIOLET
			1	1	2POS, TAB 2.8X0.8, TAB H5G...	PBT-GF20	ORANGE
III	2-1703543-3	A	2	1	RETAINER, ...	PBT-GF30	VIOLET
			1	1	2POS, TAB 2.8X0.8, TAB H5G...	PBT-GF20	RED
II	2-1703543-2	A	2	1	RETAINER, ...	PBT-GF30	VIOLET
			1	1	2POS, TAB 2.8X0.8, TAB H5G...	PBT-GF20	DARK BROWN
I	2-1703543-1	A	2	1	RETAINER, ...	PBT-GF30	VIOLET
			1	1	2POS, TAB 2.8X0.8, TAB H5G...	PBT-GF20	BLACK
VIII	1-1703543-8	A	2	1	RETAINER, ...	PBT-GF30	VIOLET
			1	1	2POS, TAB 2.8X0.8, TAB H5G...	PBT-GF20	GREY
VII	1-1703543-7	A	2	1	RETAINER, ...	PBT-GF30	VIOLET
			1	1	2POS, TAB 2.8X0.8, TAB H5G...	PBT-GF20	GREEN
VI	1-1703543-6	A	2	1	RETAINER, ...	PBT-GF30	VIOLET
			1	1	2POS, TAB 2.8X0.8, TAB H5G...	PBT-GF20	WHITE
V	1-1703543-5	A	2	1	RETAINER, ...	PBT-GF30	VIOLET
			1	1	2POS, TAB 2.8X0.8, TAB H5G...	PBT-GF20	BLUE
IV	1-1703543-4	A	2	1	RETAINER, ...	PBT-GF30	VIOLET
			1	1	2POS, TAB 2.8X0.8, TAB H5G...	PBT-GF20	ORANGE
III	1-1703543-3	A	2	1	RETAINER, ...	PBT-GF30	VIOLET
			1	1	2POS, TAB 2.8X0.8, TAB H5G...	PBT-GF20	RED
II	1-1703543-2	A	2	1	RETAINER, ...	PBT-GF30	VIOLET
			1	1	2POS, TAB 2.8X0.8, TAB H5G...	PBT-GF20	DARK BROWN
I	1-1703543-1	A	2	1	RETAINER, ...	PBT-GF30	VIOLET
			1	1	2POS, TAB 2.8X0.8, TAB H5G...	PBT-GF20	BLACK

THIS DRAWING IS UNCONTROLLED UNLESS THE WORD 'CONTROLLED' IS SHOWN IN THE LOWER LEFT CORNER. IT IS SUBJECT TO CHANGE AND THE CONTROLLING ENGINEERING DEPARTMENT SHALL BE CONTACTED FOR THE LATEST REVISION. CHECK FOR DISCREPANCIES WITH DATA AND INFORMATION CONTAINED HEREIN. FOR THE MOST CURRENT INFORMATION REGARDING THIS DRAWING, SEE THE DRAWING PARTS LIST FOR THE PART NUMBER AND THE DRAWING NUMBER.

DATE: 14-MAR-07  
 DRAWN: M. Ueckermann  
 CHECKED: F. Thiel  
 APPROVED: F. Thiel

AMP tyco Electronics AMP GmbH  
 D - 64625 Bensheim

PRODUCT SPEC: 108-18181  
 APPLICATION SPEC: 114-18132  
 WEIGHT: 7g

2POS, TAB 2.8X0.8, TAB H5G, ASSEMBLY  
 2POL., FL5 2.8X0.8, FL5 STECKERGEH., KOMPLETT

SIZE: A1  
 WEIGHT: 7g

CUSTOMER DRAWING /KUNDENZEICHNUNG