



Main

| | |
|---------------------------|--|
| Range of product | Magelis iPC |
| Product or component type | Multi-touch screen |
| Processor name | Intel Core i3 4010U 1.7 GHz |
| Chipset type | Intel QM87 |
| Free slots | 1 Internal SATA HDD/SSD 1 CFAST |
| Display size | 18.5 inch |
| Display colour | 16777216 colors |
| Luminance | 27.87 fc (300 cd/m ²) |
| Pixel resolution | 4096 x 4096 |
| Video controller type | Intel HD Graphics 4400 |
| Operating system | Windows 7 multi-language |
| Software package | EcoStruxure secure connect advisor annual subscription EcoStruxure operator terminal expert run time HMI license not included EcoStruxure machine SCADA expert run time HMI/SCADA on configured offer only EcoStruxure augmented operator advisor server augmented operator license not included Vijeo Citect DVD SCADA license not included |

Complementary

| | |
|----------------------------------|--|
| Number of points | 5 |
| Terminal type | Touchscreen display |
| Memory type | RAM DDR3 8 GB internal |
| Data storage equipment | 80 GB SSD back side for 1500000 h |
| Aspect ratio | 16:9 |
| Display type | LED Colour TFT LCD |
| Display resolution | 1366 x 768 pixels WXGA |
| Backlight lifespan | 50000 hours |
| View angle horizontal x vertical | 160 x 170° |
| Touch panel | Projected capacitive technology (PCT) |
| Type of cooling | Fanless Passive |
| Watchdog timer | 1...255 ms |
| Integrated connection type | HDMI with 1 RS232 with 1 male SUB-D 9, transmission rate: <= 115.2 kbits/s RS485/RS422 with 1 male SUB-D 9, transmission rate: <= 115.2 kbits/s Ethernet port with 2 RJ45, transmission rate: 10/100/1000 Mbit/s USB 3.0 type A with 2, transmission rate: 1.5/12/480 Mbit/s, 5 Gbit/s |
| Number of slots | 1 mini PCI Express full-size |
| [Us] rated supply voltage | 24 V DC +/- 20 % 100...240 V AC with additional adaptor HMIYPSMAC1 |
| Power consumption in W | 28...60 W |
| Mechanical robustness | 7H hardness anti-scratch |
| Function available | Operate with water on screen |
| Width | 19.21 in (488 mm) |
| Height | 12.17 in (309 mm) |
| Depth | 2.23 in (56.7 mm) |

The information provided in this documentation contains general descriptions and/or technical characteristics of the products contained herein. This documentation is not intended as a substitute for and is not to be used for determining suitability or reliability of these products for specific user applications. It is the duty of any such user or integrator to perform the appropriate and complete risk analysis, evaluation and testing of the products with respect to the relevant specific application or use thereof. Neither Schneider Electric Industries SAS nor any of its affiliates or subsidiaries shall be responsible or liable for misuse of the information contained herein.

| | |
|--------------------|---------------------------------|
| Cut-out dimensions | 479.3 (+/- 1) x 300.3 (+/- 0.7) |
| Product weight | 15.43 lb(US) (7 kg) |
| Main type | Performance |

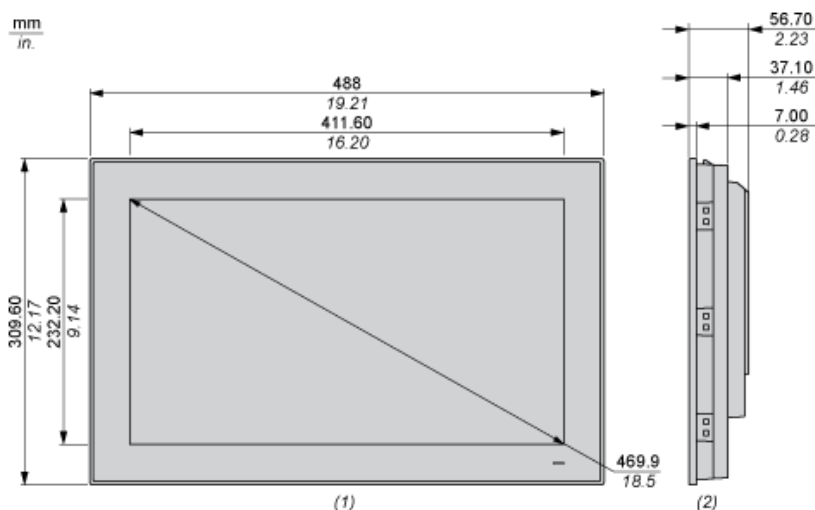
Environment

| | |
|---------------------------------------|---|
| IP degree of protection | IP66 front panel |
| product certifications | AS/NZS CCC CE C-Tick RCM EAC |
| standards | CISPR 11 IEC 60950 IEC 61000-6-2 IEC 61000-6-4 UL 60950 FCC part 15 class A CSA C22.2 No 60950 |
| directives | 2004/108/EC - electromagnetic compatibility 2006/95/EC - low voltage directive 2011/65/EU - RoHS directive 1907/2006/EC - REACH directive 2012/19/EU - WEEE directive |
| pollution degree | 2 |
| ambient air temperature for operation | 0...55 °C SSD 0...55 °C Cfast card 0...45 °C HDD |
| ambient air temperature for storage | -4...140 °F (-20...60 °C) |
| relative humidity | 10...95 % non-condensing |
| operating altitude | 2000 |
| vibration resistance | 1 gn 5...500 Hz HDD |

Offer Sustainability

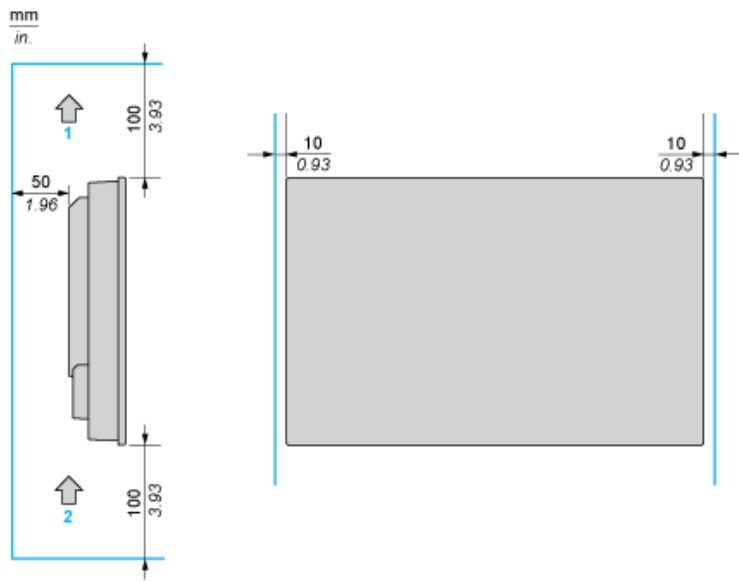
| | |
|--|--|
| Green Premium product | Green Premium product |
| Compliant - since 1530 - Schneider Electric declaration of conformity | Compliant - since 1530 - Schneider Electric declaration of conformity |
| Reference not containing SVHC above the threshold | Reference not containing SVHC above the threshold |
| Available | Available |
| Available | Available |
| WARNING: Cancer and Reproductive Harm - www.P65Warnings.ca.gov | WARNING: Cancer and Reproductive Harm - www.P65Warnings.ca.gov |

Dimensions



- (1) Front view
- (2) Side view

Spacing Requirements

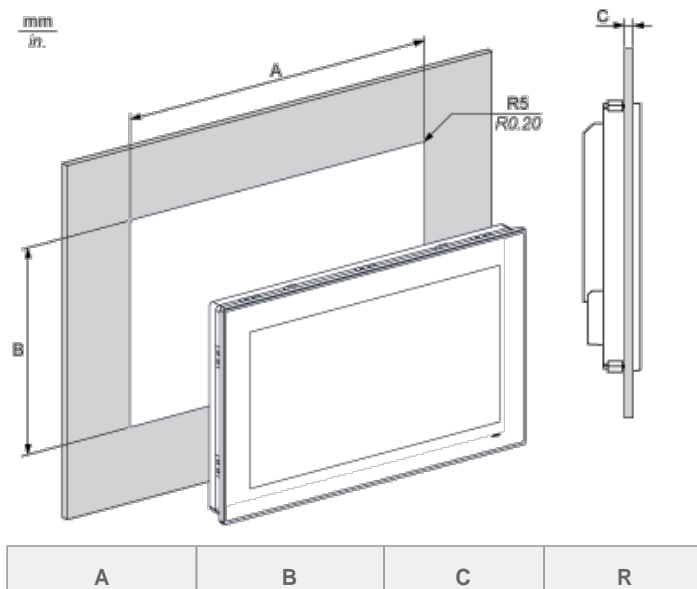


- (1) Air out
- (2) Air in

Mounting Orientation



Panel Cut Dimensions



| | | | |
|---------------------------------|-----------------------------------|------------------------------|-------------------|
| 479.3 ±1 mm (18.87 ±0.04 in) | 300.3 ±0.7 mm (11.82 ±0.03 in) | 2...6 mm (0.08...0.23 in) | 5 mm (0.20 in) |
|---------------------------------|-----------------------------------|------------------------------|-------------------|